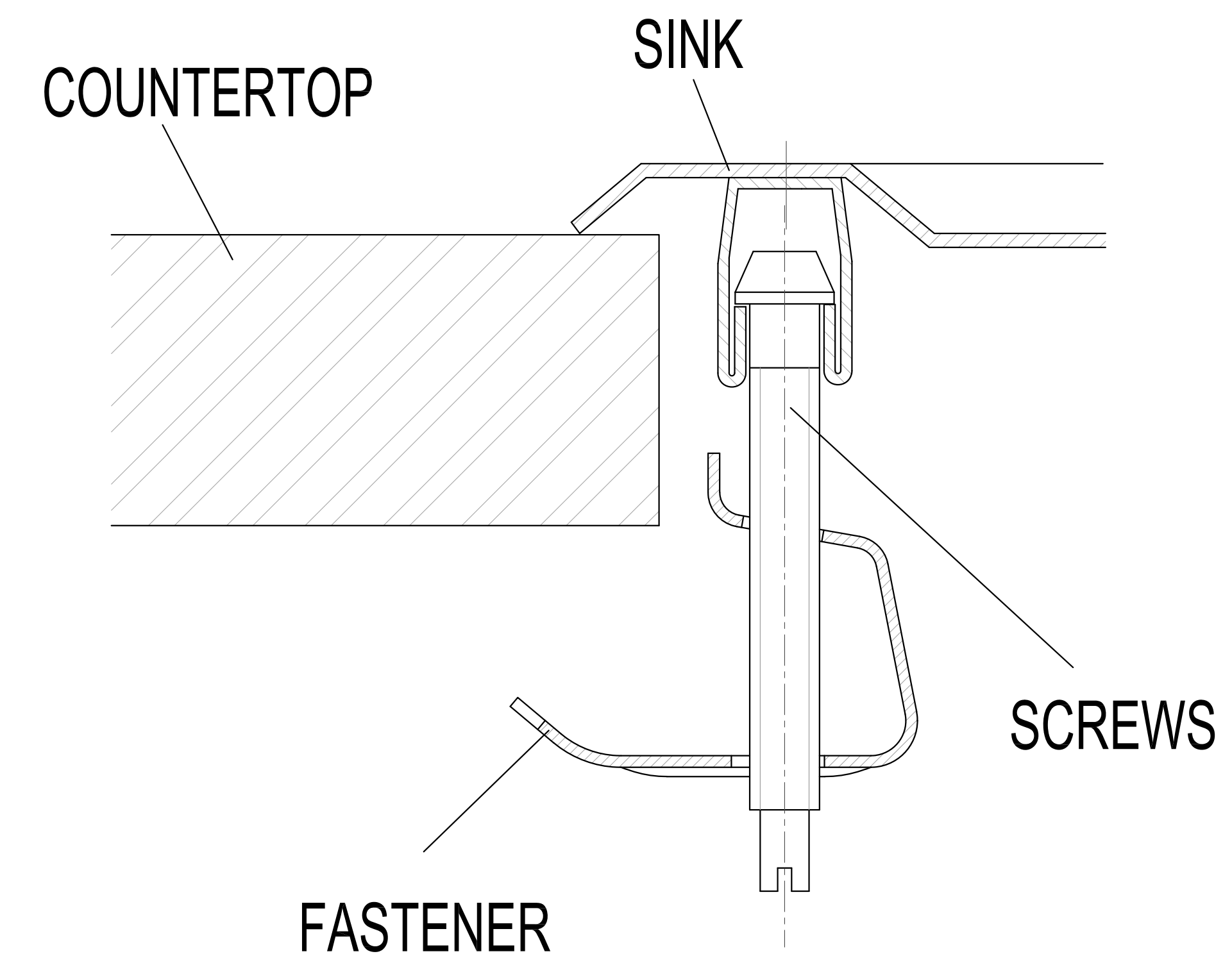


24-3/8" (619mm)

21-3/8" (543mm)

GKTS252281



Use inside line for flush mount cut

please check actual template against physical sink unit for most accurate cut

Use this line for mount cut

1-3/16"
(R30 mm)