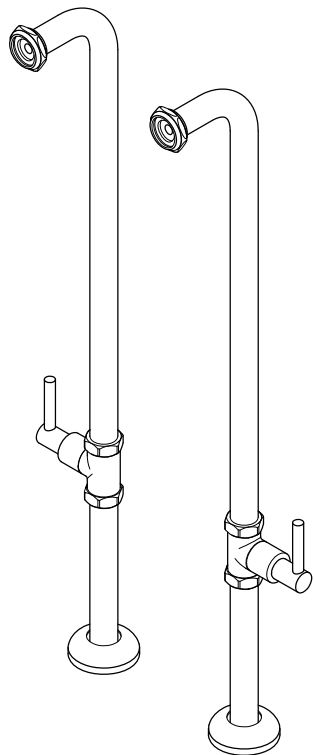


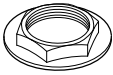
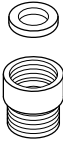
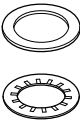
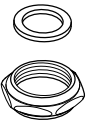
KINGSTON

KITCHEN & BATH

Freestanding supply lines Installation



Parts:

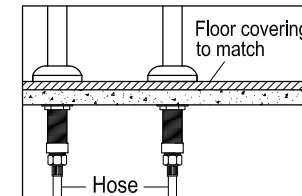
Lock Nut	Washer & Coupling Nut	Washer	Washer & Coupling Nut
			
4 Pcs	2 Pcs	2 Pcs	2 Pcs

www.kingstonbrass.com
 TOLL-FREE CUSTOMER SERVICE: 1-877-2-KBRASS
 TECHNICAL SUPPORT E-mail: service@kingstonbrass.com
 12775 Reservoir Street, Chino, CA 91710

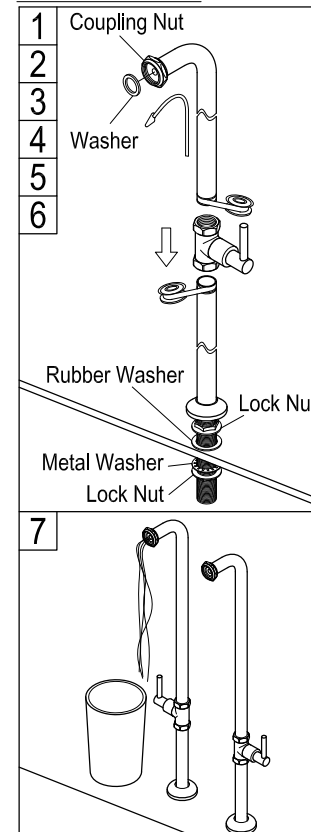
This item is designed to be installed in wood floors. If you have a concrete floor it may be necessary to build a platform to accommodate the inlet connections refer to image on right.

Before starting the installation of your supply lines you should:

- Verify the center to center of your faucet and rough in your supply lines accordingly, flush lines to clear any debris left in the line.
- Allow a 6" minimum clearance below the floor to allow sufficient space for attachment of the supply lines to the intended stub out.
- Drill 1" holes at the rough in location.
- We recommend that you install 3/4" brass floor flanges (not included) from below as an extra support.



Installation Steps:



1. Insert flange on bottom risers, thread top locknut and rubber washer and insert from above, through the brass flange if you elected to install one under the floor.
2. Secure from below by inserting metal washer and threading lock nut.
3. Apply Teflon tape to the top and bottom threads of the lower riser and thread the supply lines to the lower riser.
4. Thread hot and cold shut-off valve to the top of the lower riser.
5. Insert washer and coupling nut into top riser.
6. Apply Teflon tape to bottom threads of the top riser and thread onto the shut-off valve.
7. Placing a bucket underneath the supply line outlets turn on hot and cold valves, this will help clear debris from the line as well as give you the opportunity to check for leaks.

Warning!!!

Reshaping, bending or altering supply line or use of nuts or washers not supplied with this kit will void your warranty.
 Please do not pull or lean on the faucet once it has been installed, this may bend or pull the supply line which may cause a leak resulting in possible water damage.

Installer:

Please pass this installation manual to homeowner after installation. ©2020-03-TL Kingston Brass