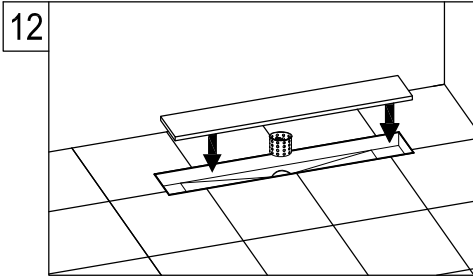
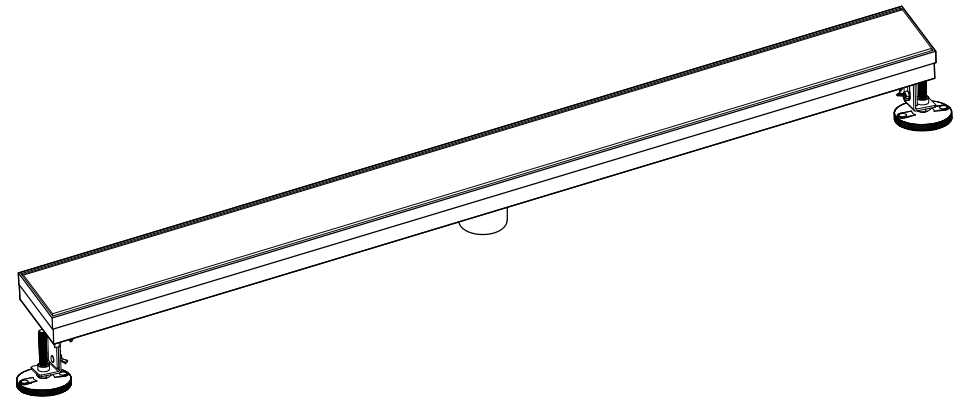


# KINGSTON

KITCHEN & BATH



12. Install the trim pieces.



## NOTICE

Failure to follow all directions may cause leaks  
which may result in water damage

[www.kingstonbrass.com](http://www.kingstonbrass.com)  
TOLL-FREE CUSTOMER SERVICE: 1-877-2-KBRASS  
TECHNICAL SUPPORT E-mail: [service@kingstonbrass.com](mailto:service@kingstonbrass.com)  
12775 Reservoir Street, Chino, CA 91710

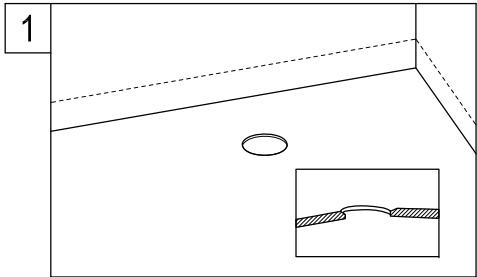
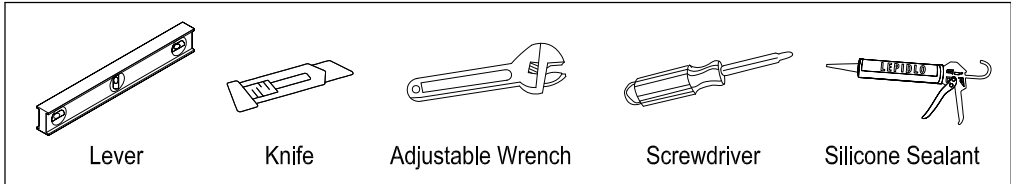
# KINGSTON

KITCHEN & BATH

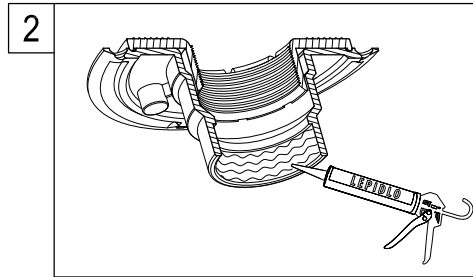
## INSTALLATION INSTRUCTIONS

### Shower Drain with or without Flange Kit

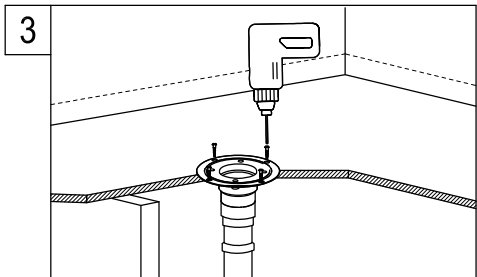
#### Need Tools:



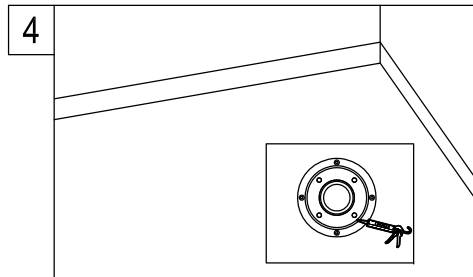
1. Cut a chamfered hole at the location where the drain will be located, the maximum diameter at the upper part of the hole should be 6-1/2", this will allow the flange to sit flush with the sub-floor.



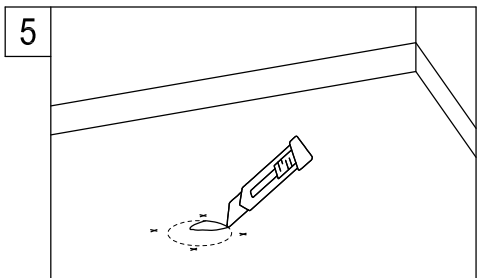
2. Evenly apply adhesive to the inside area where the flange will be connected to the drain.



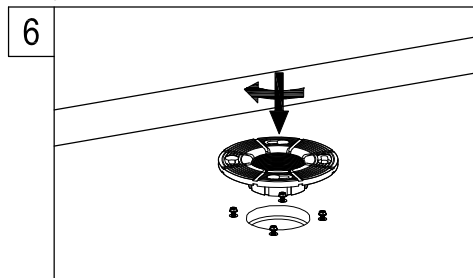
3. Connect the flange to the drainpipe; drive wood screws into the 4 holes on the flange edge, the top of the flange should be flush with the subfloor.



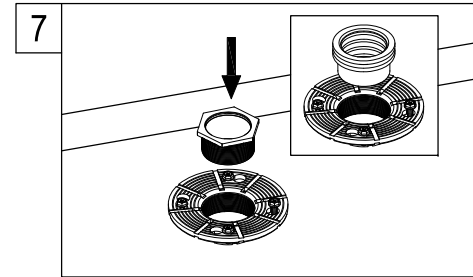
4. Prep the floor for a waterproof membrane using the appropriate methods and materials, apply adhesive to the grooved part of the flange and install membrane as per manufacturer's instructions.



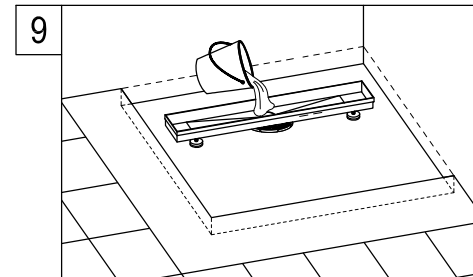
5. Using a utility knife cut an x at the location where the 4 bolts will be threaded and in the center of the drain, carefully cut off the excess pieces of liner from the center of the drain by running your knife along the inside diameter of the drain flange, re-thread all 4 bolts into the flange.



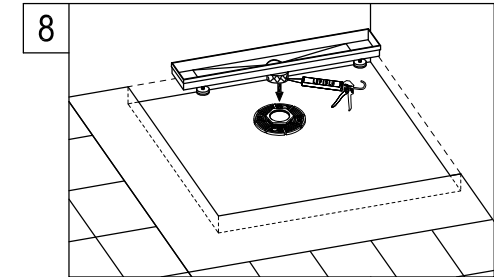
6. Insert and turn the clamping ring on the flange and tighten the bolts.



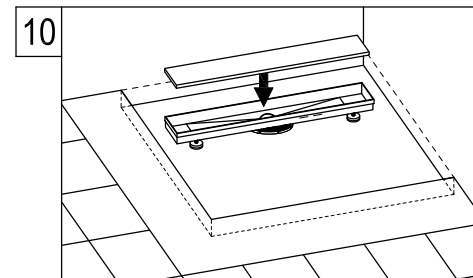
7. Connect the adapter and install on the flange (Hexagonal thread adapter and rubber adapter are optional).



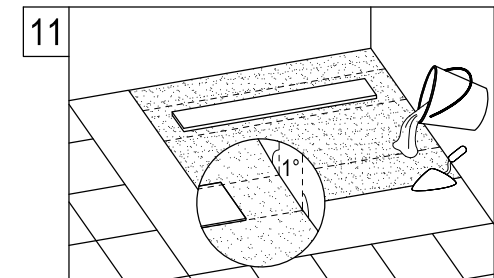
9. Test that all connections are watertight by pouring some water and checking for leaks.



8. Apply adhesive to the outer surface of the drain housing connector and insert into the shower drain adapter, although the drain should be set at 1/6" below the finish floor level, you can do a final adjustment prior to installing the final flooring surface by inserting or pulling the adapter, or the adjusting feet of the shower drain, make sure to level the drain housing.



10. Cover the drain opening to prevent any debris from going into the drain.



11. Pour the mortar and install the final flooring surface, make sure to slope the mortar at a 2% grade or 1/4" /ft.

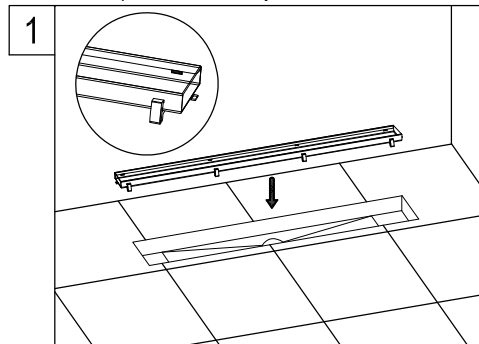
# KINGSTON

KITCHEN & BATH

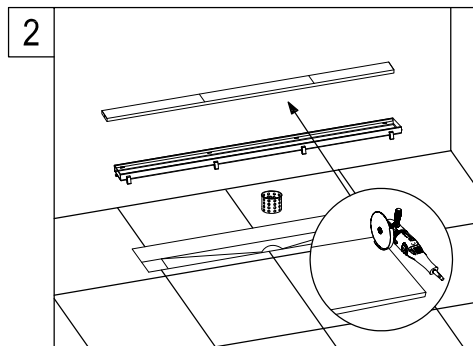
## INSTALLATION INSTRUCTIONS Shower Drain with or without Flange Kit

### Tile Insert Instructions:

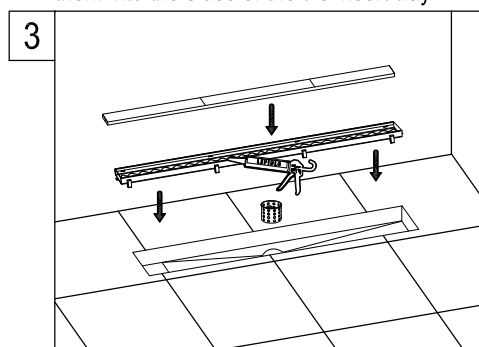
- Please skip this section if you don't have the Tile-insert model.



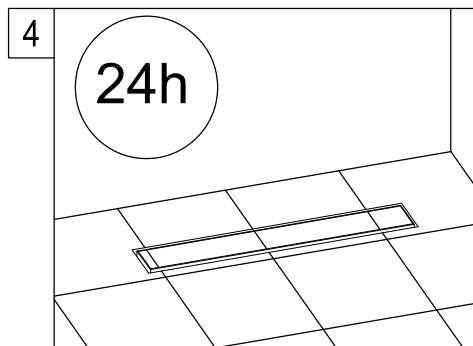
1. Fasten the 4 tray support clips by snapping them into the sides of the tile insert tray.



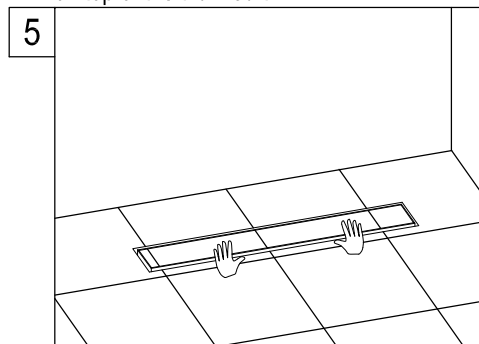
2. Cut the tile insert to fit the tray.



3. Apply an even coat of tile adhesive to the back of the tile and press into place, set the tile so that it sits 1mm above the rim of the tray, this will prevent any water from pooling on top of the tile-insert.



4. Clean any excess adhesive with a wet cloth, let the adhesive dry for 24 hours before applying grout.



5. Insert tray into place by gently pressing into place.