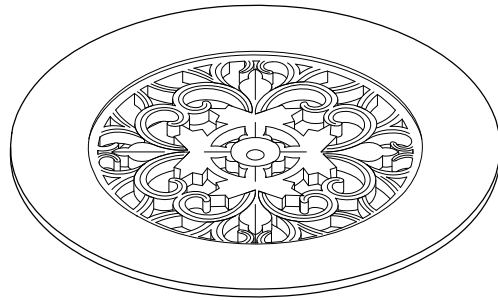


KINGSTON

KITCHEN & BATH

Shower Base Drain Installation



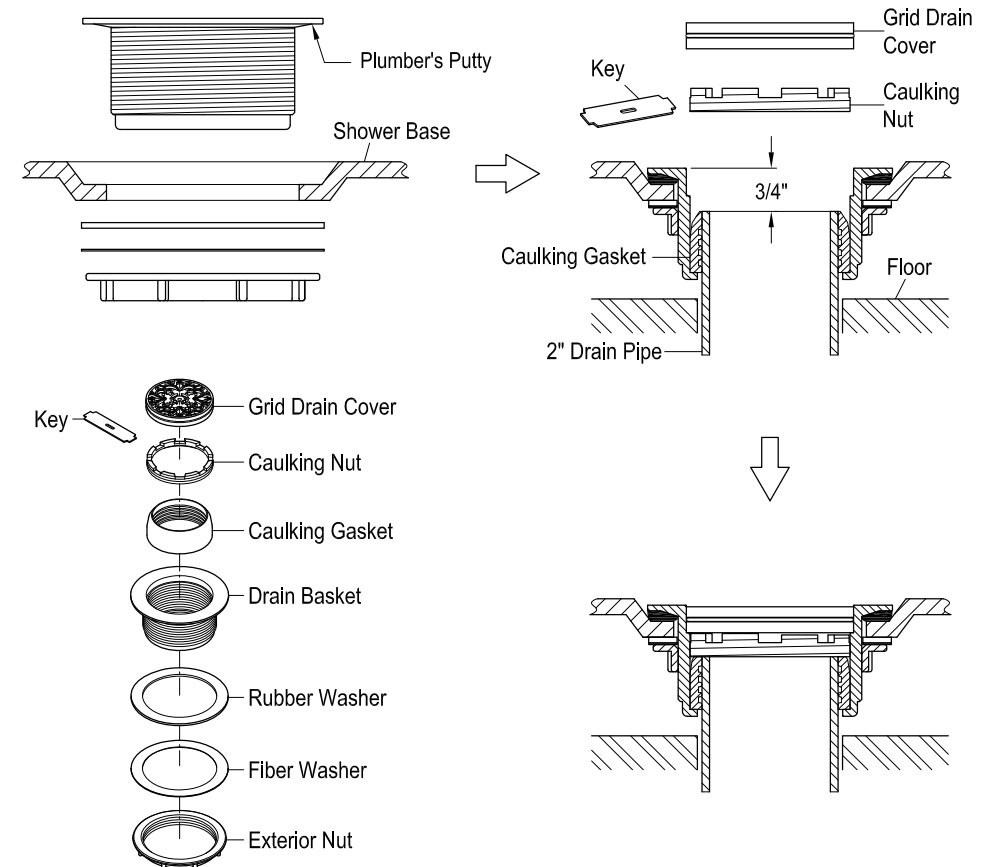
NOTICE

Failure to follow all directions may cause leaks which may result in water damage

www.kingstonbrass.com
TOLL-FREE CUSTOMER SERVICE: 1-877-2-KBRASS
TECHNICAL SUPPORT E-mail: service@kingstonbrass.com
12775 Reservoir Street, Chino, CA 91710

Installation:

1. Apply a bead of plumber's putty to the underside of the drain basket, insert the basket from above, while holding drain basket, from below, insert the rubber washer and fiber washer, thread and tighten the exterior nut.
2. Measure the drain pipe so that the top of the drain pipe sits $\frac{3}{4}$ " below the top of the drain basket flange.
3. Once the shower base has been set on the drain pipe, insert the caulking gasket between the drain pipe and the basket and press down, making sure to insert it beveled side up.
4. Apply a bead of silicone caulking to the top of the gasket (optional), thread the caulking nut, insert the enclosed metal key, insert a screwdriver onto the metal key, and tighten up the caulking nut.
5. Insert grid drain cover.



Care and Maintenance:

- Clean periodically of any debris that has accumulated.
- To clean, remove cover and dome grid, remove any debris present and re-insert all component.

©2023-05-D Kingston Brass