

# KINGSTON

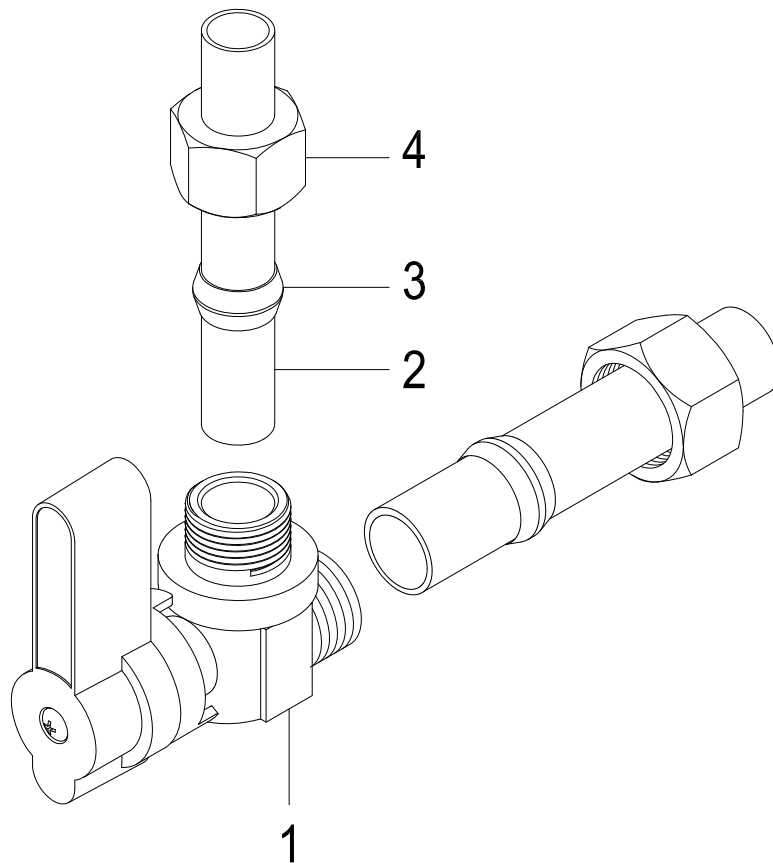
KITCHEN & BATH

## INSTALLATION INSTRUCTIONS

### Angle Stop

#### Instructions:

1. Place nut (4) and ring (3) on tube (2).
2. Insert tube (2) into valve.
3. Wrench tighten nut (4) onto valve.
4. Repeat steps 1 through 3 with the other side.
5. Stop any leaks by tightening nuts slightly.



[www.kingstonbrass.com](http://www.kingstonbrass.com)

TOLL-FREE CUSTOMER SERVICE: 1-877-2-KBRASS

TECHNICAL SUPPORT E-mail: [service@kingstonbrass.com](mailto:service@kingstonbrass.com)

12775 Reservoir Street, Chino, CA 91710

# KINGSTON

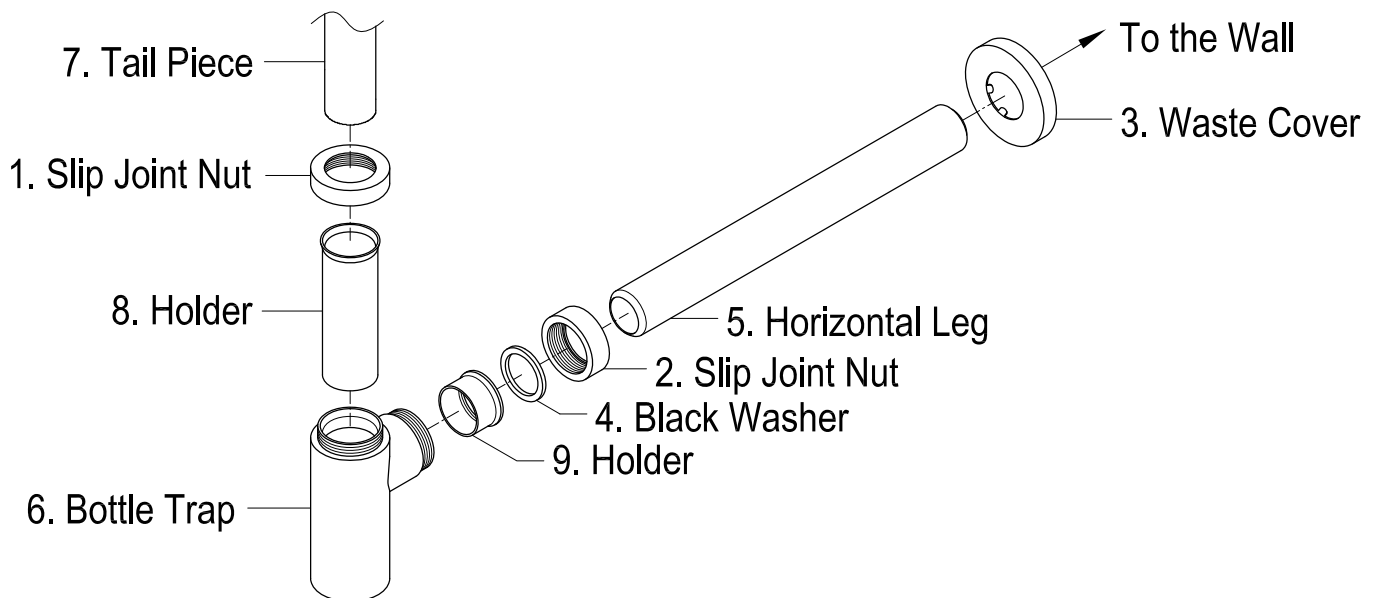
KITCHEN & BATH

## INSTALLATION INSTRUCTIONS

### Bottle-Trap

#### Instructions:

1. Remove horizontal leg and slip joint nut from bottle trap.
2. Apply Teflon to all exposed threads.
3. Insert slip joint nut (2) and waste cover (3) onto horizontal leg (5).
4. Insert horizontal leg into wall waste opening, do not tighten.
5. Insert slip joint nut (1) and Holder (8) onto tail piece (7).
6. Attach bottle trap (6) to tail piece and hand tighten slip joint nut (1).
7. Align bottle trap with horizontal leg and tail piece, at this point it may be necessary to cut part of tail piece or part of horizontal leg to obtain proper alignment.
8. After all components have been properly aligned, insert horizontal leg making sure to insert black washer (4) before tightening slip joint nut (2).
9. Thread both slip joint nuts onto bottle trap and tighten along with slip joint securing horizontal leg to wall waste opening.
10. Check for leakage by opening faucet and letting water run for at least 45 seconds.



[www.kingstonbrass.com](http://www.kingstonbrass.com)

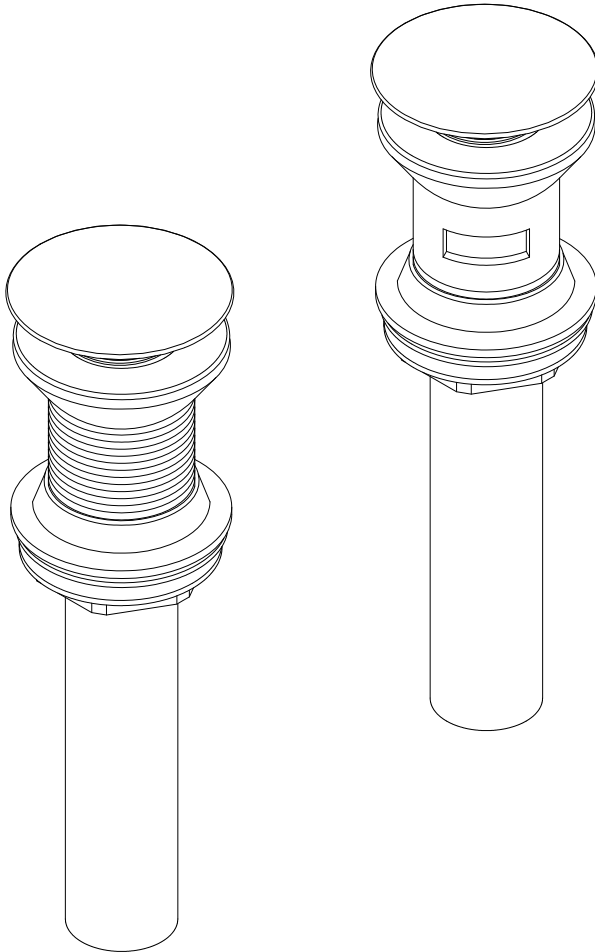
TOLL-FREE CUSTOMER SERVICE: 1-877-2-KBRASS

TECHNICAL SUPPORT E-mail: [service@kingstonbrass.com](mailto:service@kingstonbrass.com)

12775 Reservoir Street, Chino, CA 91710

# KINGSTON

KITCHEN & BATH



[www.kingstonbrass.com](http://www.kingstonbrass.com)

TOLL-FREE CUSTOMER SERVICE: 1-877-2-KBRASS

TECHNICAL SUPPORT E-mail: [service@kingstonbrass.com](mailto:service@kingstonbrass.com)

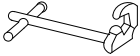
12775 Reservoir Street, Chino, CA 91710

# KINGSTON

KITCHEN & BATH

## INSTALLATION INSTRUCTIONS Push Drain with or without Overflow

### Need Tools:



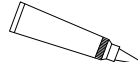
Basin Wrench



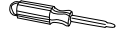
Adjustable Wrench



Teflon Tape



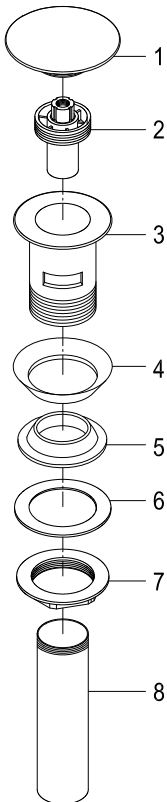
Silicone Sealant



Screwdriver

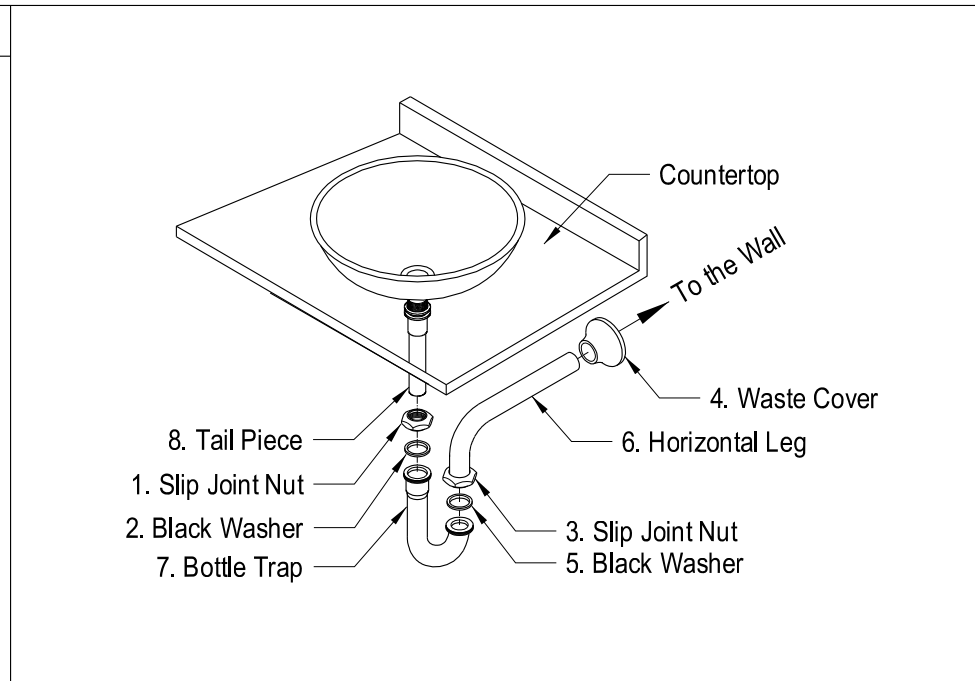
### INSTALLATION:

1. Remove the lock nut (7), washer (6) and rubber gasket (5) from the drain body (3).
2. Insert the drain assembly (1)/(2)/(3)/(4)/(8) downwardly through the drain opening on the bottom of sink. So the tailpiece (8) and the outer threads of drain body (3) can go all the way through the drain opening and expose beneath the sink.
3. Adjust rubber gasket (4) to fit in the drain opening snugly. Make sure the taper-surface side of the rubber gasket (4) is downward.
4. Install rubber gasket (5), washer (6) and lock nut (7) upwardly onto the drain body (3) from the end of tailpiece (8). Make sure the taper-surface side of the rubber gasket (5) is upward.
5. Slowly tighten up the lock nut (7) with a wrench until the rubber gasket (5) can completely and tightly seal the drain opening beneath the sink.
6. Remove tailpiece (8) from drain body (3), apply Teflon tape on the thread of tailpiece (8). Then re-connect it with drain body (3).
7. Push the stopper (1) to the close position of the drain body (3), then turn on faucet to full fill water in the sink. Examine and make sure no water come out from the tailpiece (8).
8. Push the stopper (1) to the open position to drain water, examine to make sure no water leakage around the rubber gasket (5) or connection with tailpiece (8). If leakage found, adjust the rubber gasket (5) and re-tighten up the lock nut (7) or re-connect the tailpiece until no more leakage found.

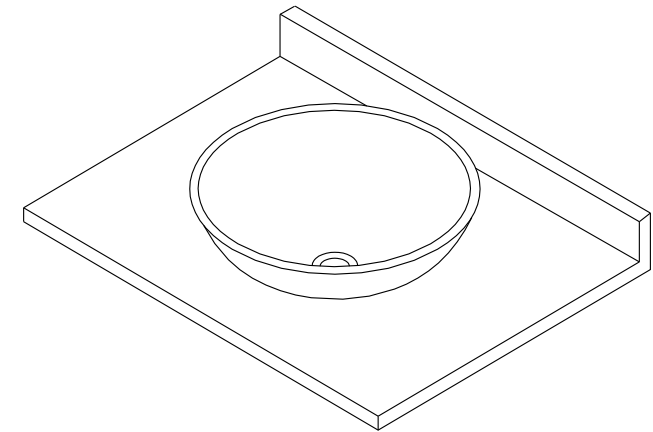


## P-Trap Installation:

9



# FAUCETURE



1. Remove horizontal leg and slip joint nut from bottle trap.
2. Apply teflon to all exposed threads.
3. Insert slip joint nut(3) and waste cover(4) onto horizontal leg(6).
4. Insert horizontal leg into wall waste opening, do not tighten.
5. Insert black washer(2) and slip joint nut(1) onto tail piece(8).
6. Attach bottle trap(7) to tail piece and hand tighten slip joint nut(1).
7. Align bottle trap with horizontal leg and tail piece, at this point it may be necessary to cut part of tail piece or part of horizontal leg to obtain proper alignment.
8. After all components have been properly aligned, insert horizontal leg making sure to insert black washer(5) before tightening slip joint nut(3).
9. Thread both slip joint nuts onto bottle trap and tighten along with slip joint securing horizontal leg to wall waste opening.
10. Check for leakage by opening faucet and letting water run for at least 45 seconds.

[www.kingstonbrass.com](http://www.kingstonbrass.com)

TOLL-FREE CUSTOMER SERVICE: 1-877-2-KBRASS

TECHNICAL SUPPORT E-mail: [service@kingstonbrass.com](mailto:service@kingstonbrass.com)

12775 Reservoir Street, Chino, CA91710

# FAUCETURE

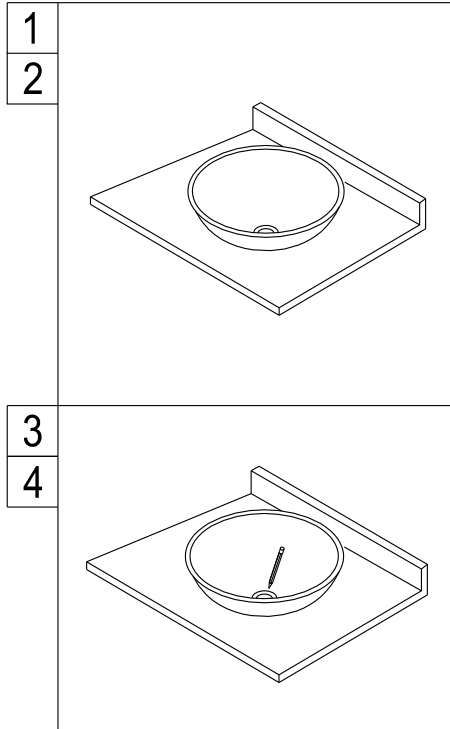
## INSTALLATION INSTRUCTIONS

For Use Vessel Sink

### Before Installation :

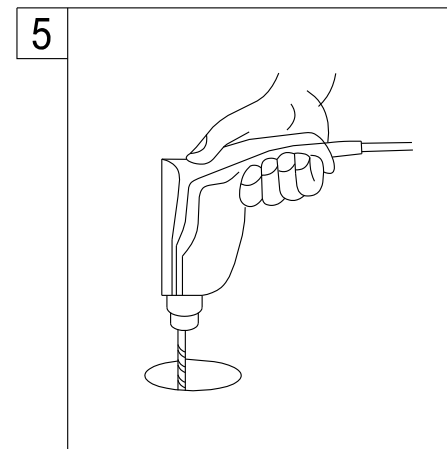
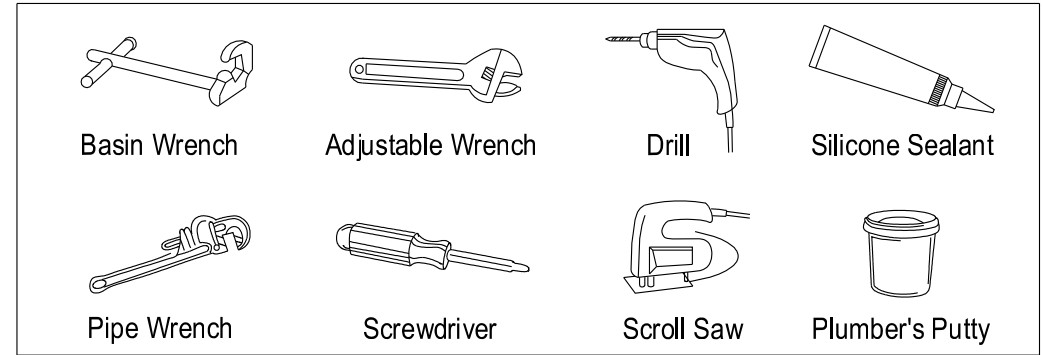
1. Prior the installation, unpack your new Kingston Brass product and inspect it keep the product in its original package until you are ready to install it.
2. Shut the water supply off when replacing an existing fixture. Preparation of the floors and walls, including all additional wall supports, maybe required.
3. Observe all local plumbing and building codes.
4. Do not install this fixture alone.
5. Make sure to select appropriate drain as some of Kingston Brass vessel sinks do not include overflow hole.

### Installation Step :

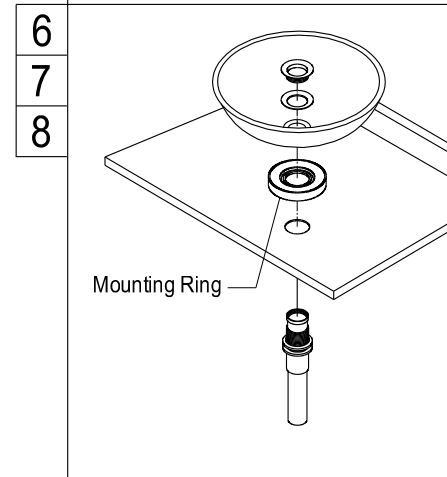


1. Place vessel sink on top of counter where it will be installed.
2. If your vessel sink does not include the faucet hole, then make sure to allow sufficient space for faucet installation.
3. Mark location of drain hole.
4. Carefully remove vessel sink.

### Need Tools:



5. Cut a 1-1/2" hole at the previously marked drain location.



6. Apply a very thin beard of clear caulking around the drain hole.
7. Place vessel sink on counter aligning vessel drain opening with previously drilled drain opening cut out and clean all excess caulking.
8. Insert the drain as show on picture, tighten the drain nut from under the counter and making sure not to over tighten as this may cause cracks in your vessel sink.