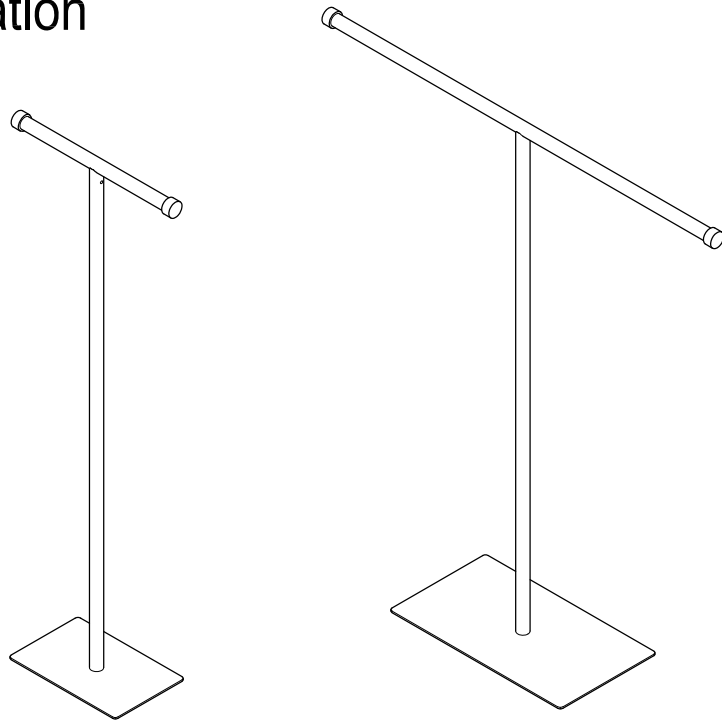


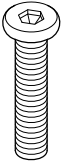

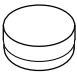
KINGSTON

KITCHEN & BATH

T-Shape Toilet Roll Holder & Towel Rack Installation



Parts:

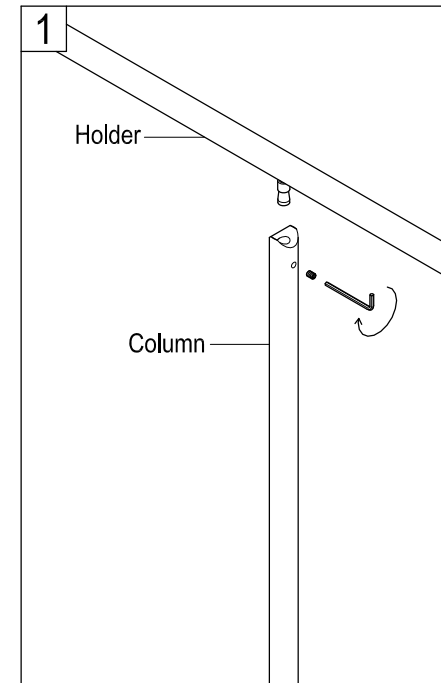
Bolt	Set Screw	Gasket
		
1 Pc	1 Pc	4 Pcs

www.kingstonbrass.com
TOLL-FREE CUSTOMER SERVICE: 1-877-2-KBRASS
TECHNICAL SUPPORT E-mail: service@kingstonbrass.com
12775 Reservoir Street, Chino, CA 91710

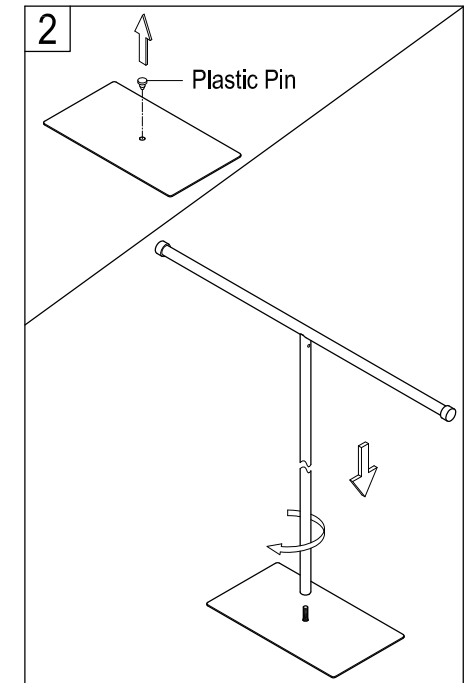
TOOLS REQUIRED



Allen Wrench



1. Install the holder into the column, attach it securely by tightening the set screw with an Allen wrench.



2. Remove the plastic pin from the base. Place the base assembly on a level spot on the ground. Thread the free end onto the base assembly tightly in a clockwise direction and use the provided gaskets to cover the exposed corners of the bottom of the base. Check that all bolts are tight and secure on your completed towel holder.

Cleaning

Clean with a damp cloth only.
Avoid using metal or abrasive polishes.