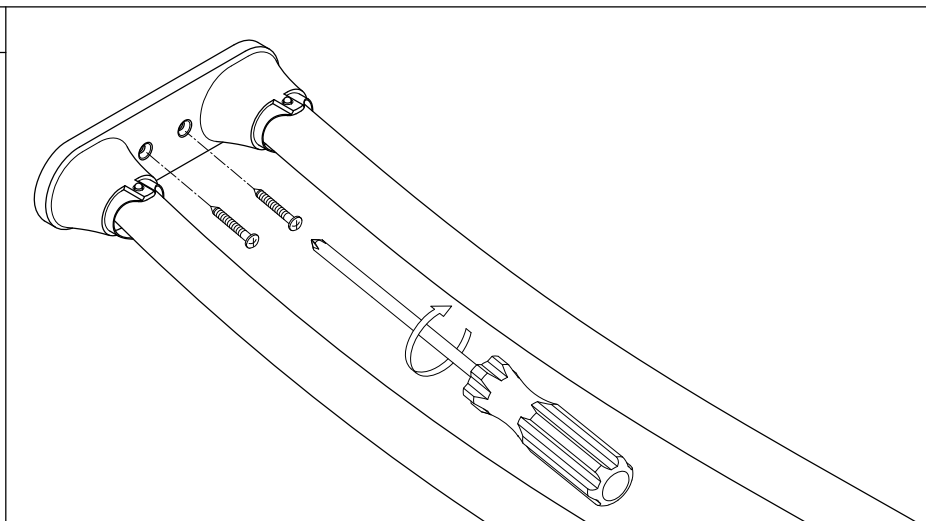
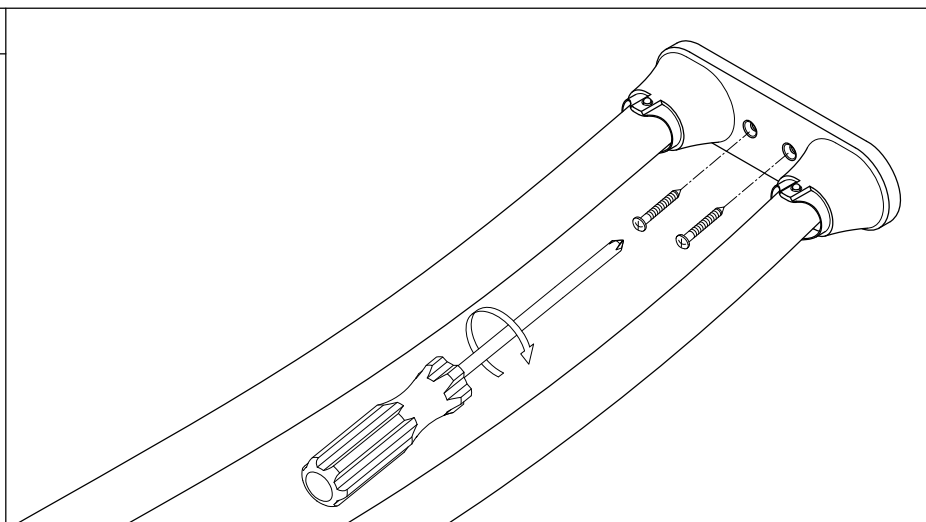


4



4. Place the shower rod on the mounting location and insert screws through first mounting post into anchors. Tighten screws with screwdriver.

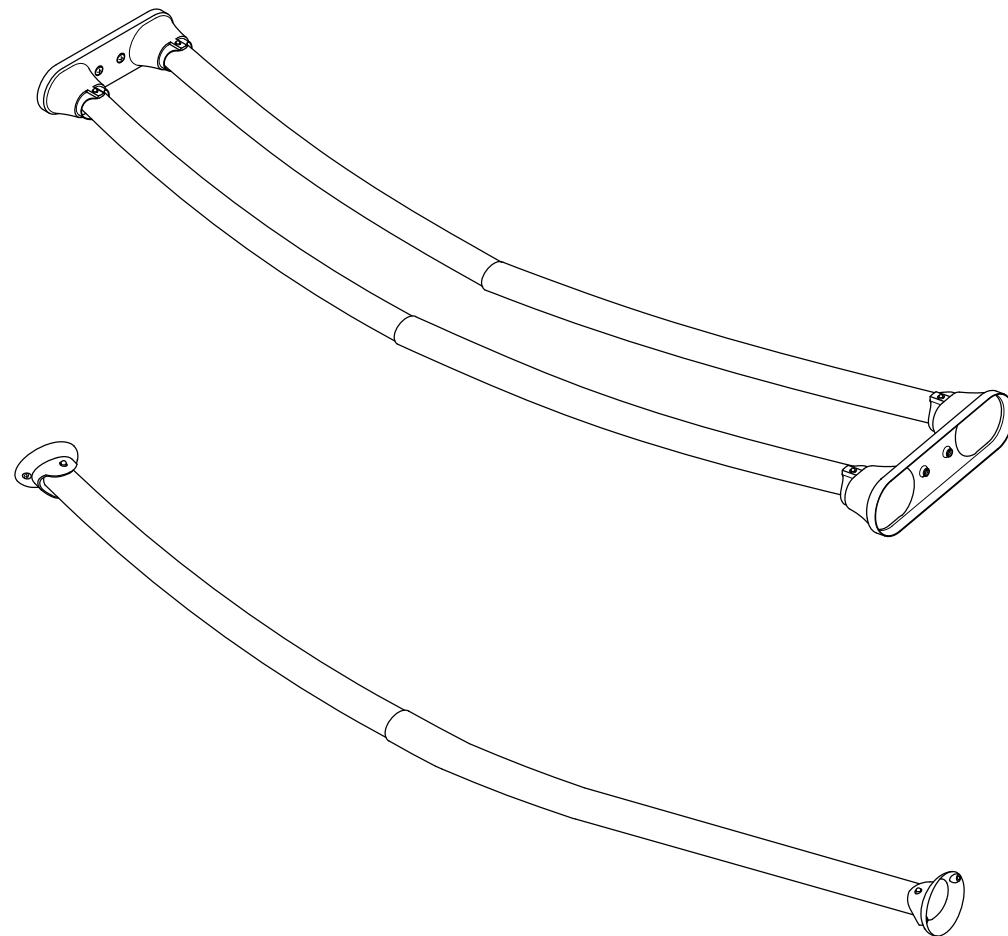
5



5. Expand the shower rod and install on opposite end. Repeat steps 1 through 4 with the other side.

# KINGSTON

KITCHEN & BATH



**CAUTION**

Failure to follow all installation directions may cause product to detach from the wall and cause serious injury

www.kingstonbrass.com  
TOLL-FREE CUSTOMER SERVICE: 1-877-2-KBRASS  
TECHNICAL SUPPORT E-mail: service@kingstonbrass.com  
12775 Reservoir Street, Chino, CA 91710



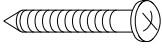
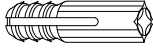
# KINGSTON

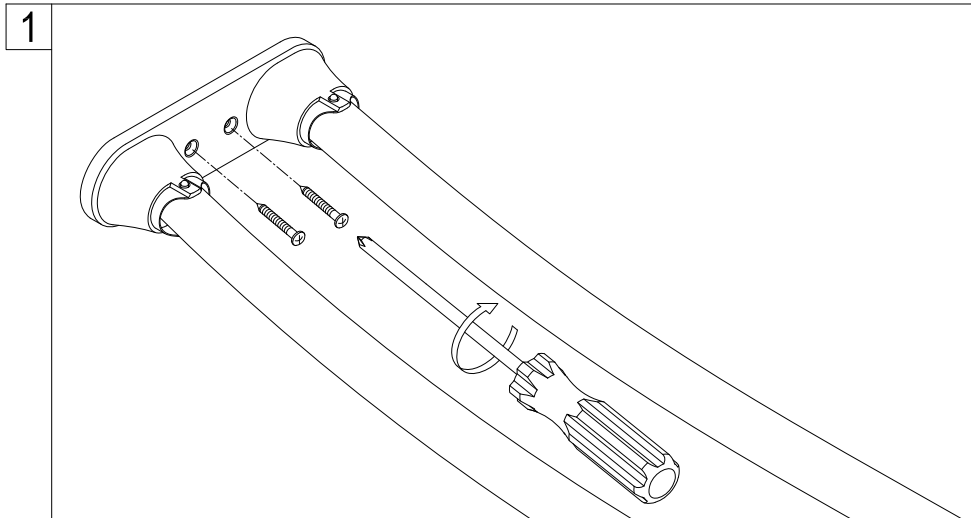
KITCHEN & BATH

## INSTALLATION INSTRUCTIONS

### Adjustable Shower Rod

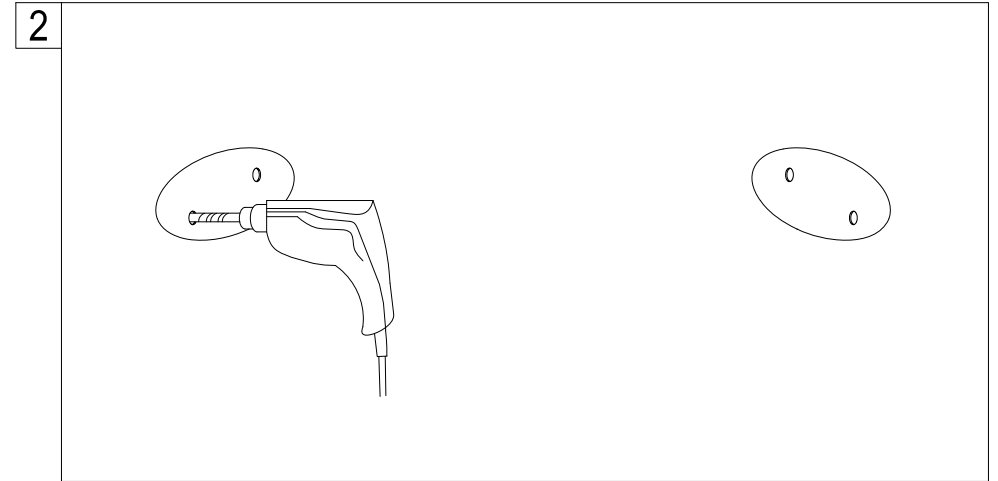
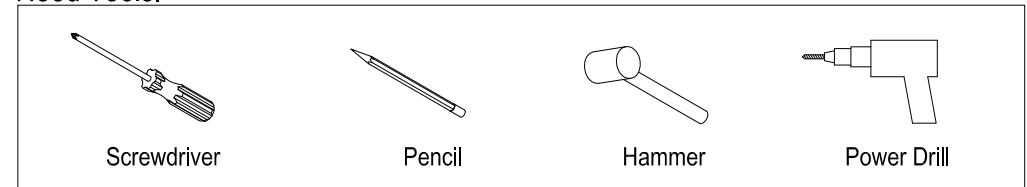
#### Parts:

Single Shower Rod		1 Pc
Double Shower Rods		2 Pcs
Screw		4 Pcs
Anchor		4 Pcs

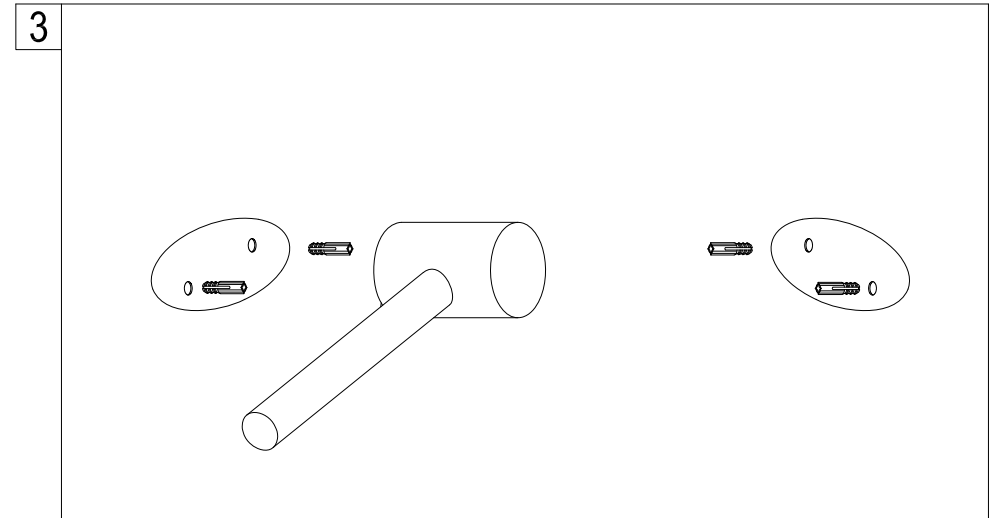


1. Locate where you would like to install the curved shower rod. Place a base onto the wall and trace around it with a pencil.

#### Need Tools:



2. Place the mounting plate in the center of the pencil outline you just made and mark the location of the mounting screws. Drill holes at the marked locations.



3. Insert anchors into the holes with a hammer until flush with the wall.