

KINGSTON

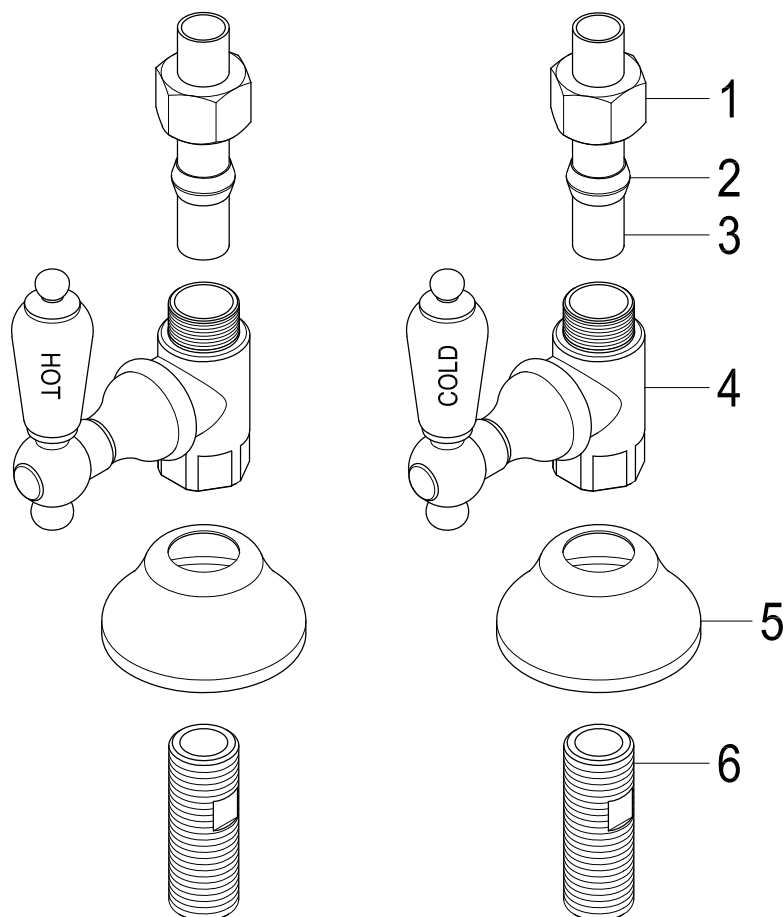
KITCHEN & BATH

INSTALLATION INSTRUCTIONS

Straight Stop

Instructions:

1. Apply thread sealant tape to adapter (6).
2. Place the flange (5) into adapter (6).
3. Screw valve body (4) onto adapter (6).
4. Place nut (1) and ring (2) on tube (3).
5. Insert tube (3) into valve.
6. Wrench tighten nut (1) onto valve.
7. Stop any leaks by tightening nuts slightly.



NOTICE

Failure to follow all directions may cause leaks
which may result in water damage

www.kingstonbrass.com

TOLL-FREE CUSTOMER SERVICE: 1-877-2-KBRASS

TECHNICAL SUPPORT E-mail: service@kingstonbrass.com

12775 Reservoir Street, Chino, CA 91710