

KINGSTON

KITCHEN & BATH

INSTALLATION INSTRUCTIONS

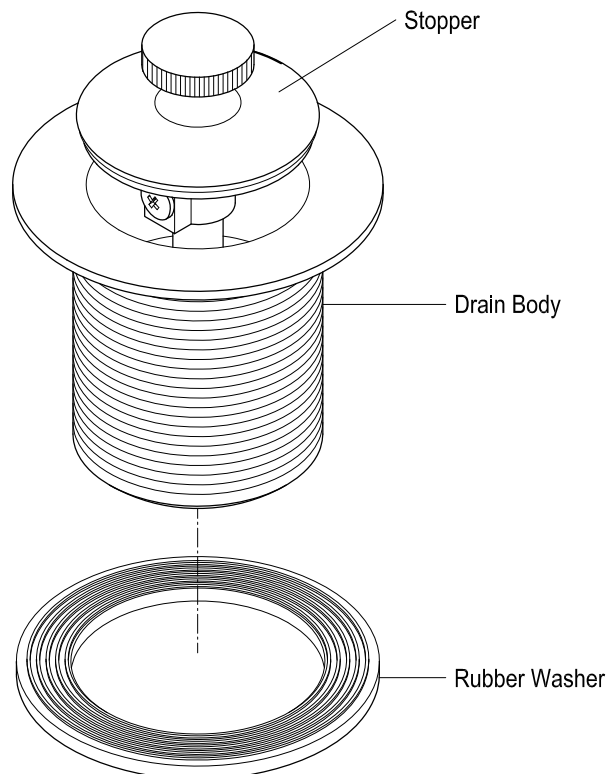
Lift & Lock Drain

TOOLS REQUIRED



INSTALLATION INSTRUCTIONS:

1. Using either a 4 way or a dumbbell wrench remove old drain and clean area around the drain opening.
2. Remove drain stopper by unthreading counterclockwise.
3. Apply plumbers putty under the drain flange or insert rubber gasket, apply Teflon tape on threads
4. Carefully thread drain by hand, finish tightening using the 4 way wrench or the dumbbell wrench
5. Clean any excess plumber putty and re-install the drain stopper.



NOTICE

Failure to follow all directions may cause leaks
which may result in water damage

www.kingstonbrass.com
TOLL-FREE CUSTOMER SERVICE: 1-877-2-KBRASS
TECHNICAL SUPPORT E-mail: service@kingstonbrass.com
12775 Reservoir Street, Chino, CA 91710