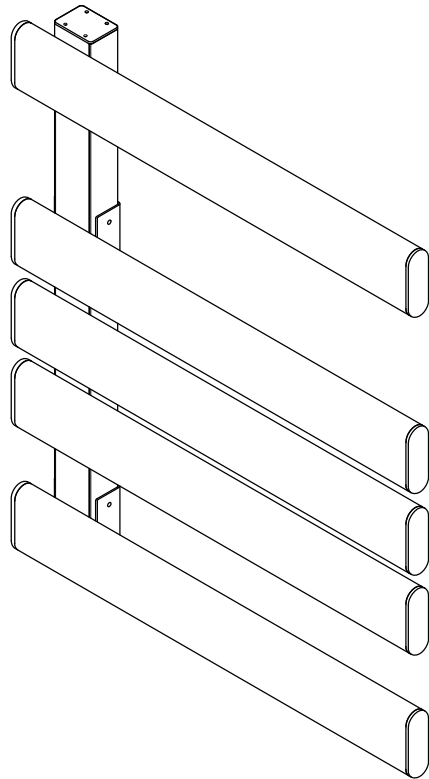


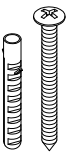

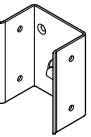
KINGSTON

KITCHEN & BATH

Wall Mount Towel Rack Installation



Parts:

Mounting Screw & Anchor	Screw	"U" brackets
		
4 Pcs	4 Pcs	2 Pcs

www.kingstonbrass.com
TOLL-FREE CUSTOMER SERVICE: 1-877-2-KBRASS
TECHNICAL SUPPORT E-mail: service@kingstonbrass.com
12775 Reservoir Street, Chino, CA 91710

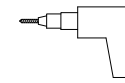
CAUTION

Failure to follow all installation directions may cause product to detach from the wall and cause serious injury

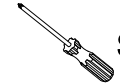
TOOLS REQUIRED



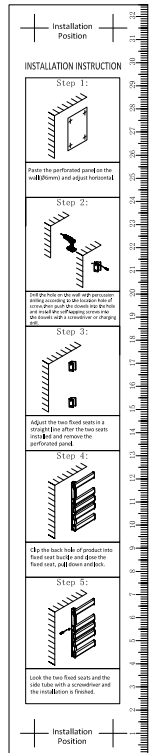
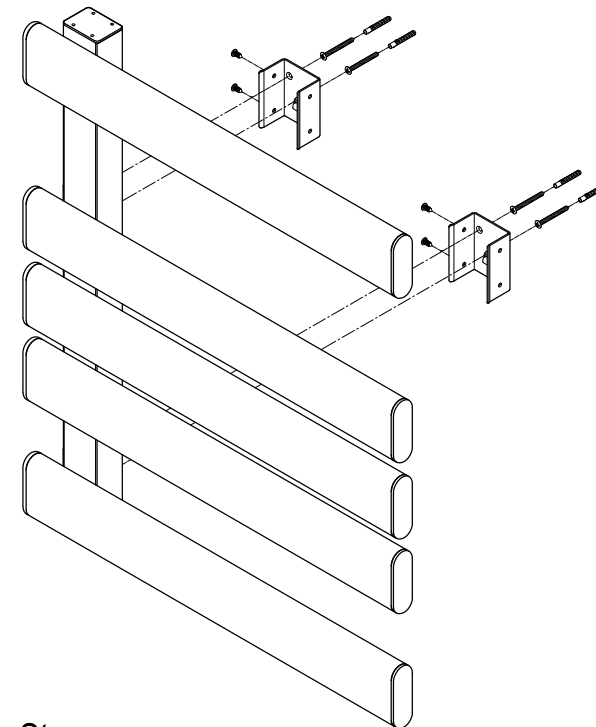
Hammer



Power Drill



Screwdriver



Installation Steps:

- Step 1. Determine the desired location of your towel rack and mark a leveled vertical 17" line.
- Step 2. Place the enclosed template so that the edge is even with the marked line on the wall, secure to the wall by using painters tape at both ends.
- Step 3. If the towel rack is going to be installed on wood, drill 1/16" pilot holes, remove template and attach the "U" brackets using the enclosed screws, make sure that the protruding hooks are pointing up.
- Step 4. If the towel rack will be installed on drywall, drill 1/4" holes at the marked locations on the template, remove template, insert plastic anchor and tap lightly with a hammer, attach the "U" brackets using the enclosed screws, make sure that the internal protruding hooks are pointing up.
- Step 5. Attach the towel rack to the wall by inserting the vertical post on the "U" brackets, slide down until the post has engaged the internal hooks on the "U" brackets, secure by threading screws on the side of the "U" brackets.

Cleaning

Clean with a damp cloth only.
Avoid using metal or abrasive polishes.