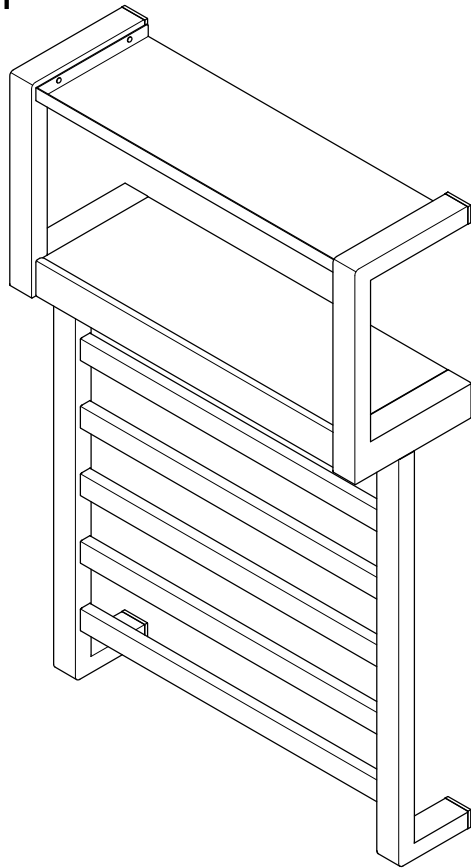


# KINGSTON

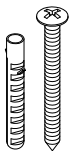
KITCHEN & BATH

## Wall Mount Towel Rack Installation



### Parts:

Mounting Screw  
&  
Anchor



2 Pcs

www.kingstonbrass.com  
TOLL-FREE CUSTOMER SERVICE: 1-877-2-KBRASS  
TECHNICAL SUPPORT E-mail: service@kingstonbrass.com  
12775 Reservoir Street, Chino, CA 91710

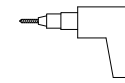
**CAUTION**

Failure to follow all installation directions may  
cause product to detach from the wall and  
cause serious injury

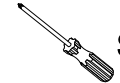
### TOOLS REQUIRED



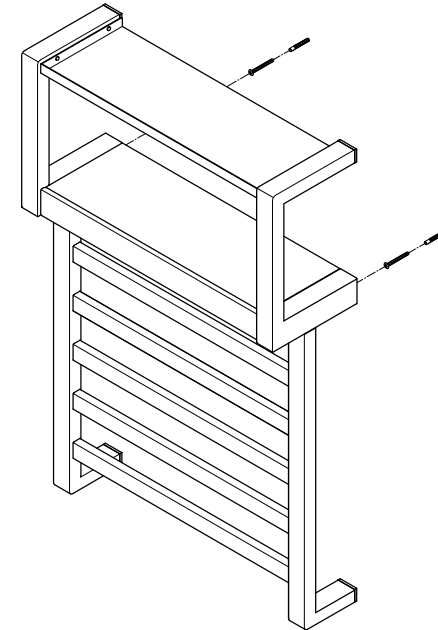
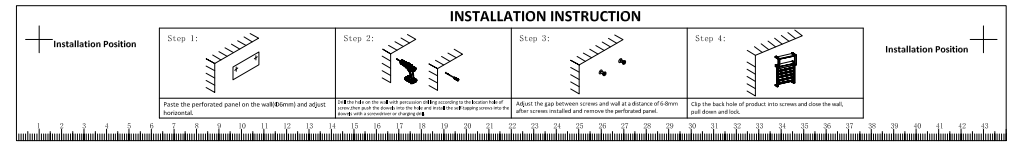
Hammer



Power Drill



Screwdriver



### Installation Steps:

- Step 1. Determine the desired height of your towel rack and mark a leveled 17" line at the top of the lower shelf.
- Step 2. Place the enclosed template so that the top of template is even with the marked line on the wall, secure to the wall by using painters tape at both ends.
- Step 3. If the towel rack is going to be installed on wood, drill a 1/16" pilot hole and thread the enclosed screws, leaving 1/8" to 1/4" protruding from the wall, otherwise, Drill 1/4" holes at the marked locations on the template, remove template.
- Step 4. Insert plastic anchor and tap lightly with a hammer, thread screw, making sure to leave 1/8" to 1/4" protruding from the wall.
- Step 5. Attach the towel rack to the wall by inserting the holes at the back of the towel rack onto the 2 protruding screws and pull down, test the installation by lightly pulling on the towel rack.

### Cleaning

Clean with a damp cloth only.  
Avoid using metal or abrasive polishes.