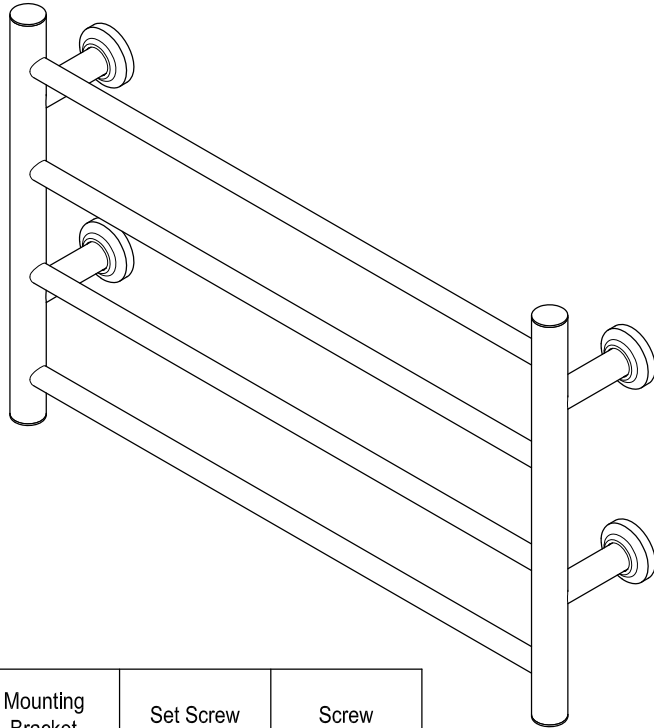


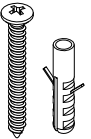


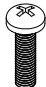
# KINGSTON

KITCHEN & BATH

## Wall Mount Towel Rack Installation



### Parts:

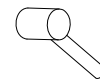
Mounting Screw & Anchor	Mounting Bracket	Set Screw	Screw
			
4 Pcs	4 Pcs	4 Pcs	4 Pcs

## CAUTION

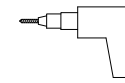
Failure to follow all installation directions may cause product to detach from the wall and cause serious injury

www.kingstonbrass.com  
TOLL-FREE CUSTOMER SERVICE: 1-877-2-KBRASS  
TECHNICAL SUPPORT E-mail: service@kingstonbrass.com  
12775 Reservoir Street, Chino, CA 91710

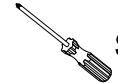
### TOOLS REQUIRED



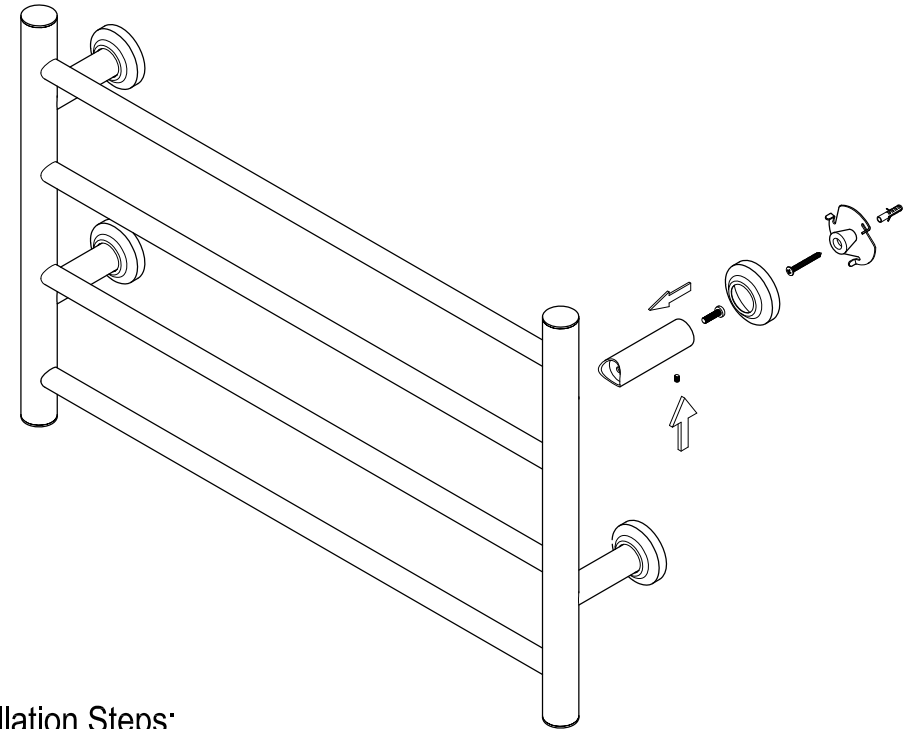
Hammer



Power Drill



Screwdriver



### Installation Steps:

- Step 1. Using the 4 machine screws enclosed, assemble the unit by attaching the 4 support posts to the towel rack, make sure to position posts so that the set screws are located at the bottom of the posts.
- Step 2. Placing the rack at the desired location, level and mark the location of the 4 posts, remove rack and drill 3/16" holes at all 4 points, insert the plastic anchors until they are flush with the wall, if there is wood bracing at any of the post locations, do not insert anchors and just secure using the wood screws.
- Step 3. Place the mounting plates on top of the anchors and fasten by threading the screws onto the anchors, or wood if no anchor was necessary.
- Step 4. Slip the decorative flanges on the posts, and insert posts onto the mounting plates, with an Allen wrench secure rack by threading the set screws.
- Step 5. Slide the decorative flange onto the mounting plate and secure by turning in a clockwise direction.

### Cleaning

Clean with a damp cloth only.  
Avoid using metal or abrasive polishes.