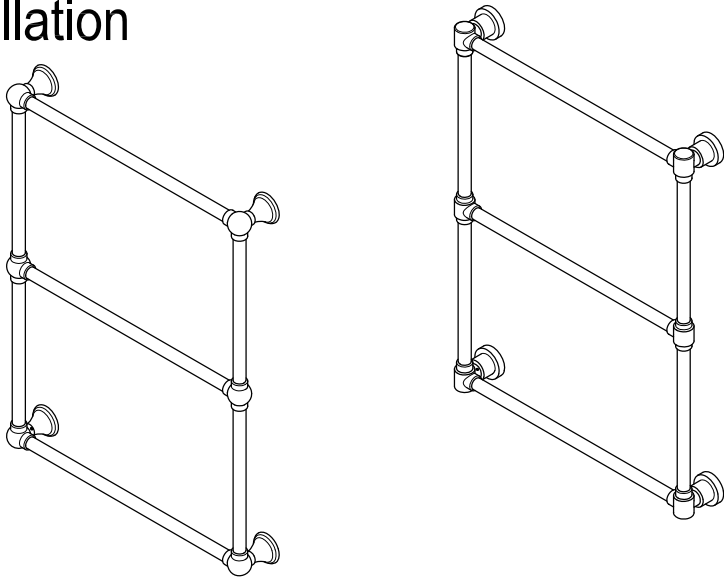


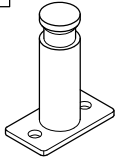
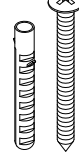
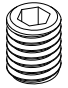

KINGSTON

KITCHEN & BATH

Wall Mount Towel Rack Installation



Parts:

Mounting Bracket	Mounting Screw & Anchor	Set Screw	
		M5 x 8	M5 x 4
F  4 Pcs	E G  8 Pcs	H  14 Pcs	I  4 Pcs

www.kingstonbrass.com

TOLL-FREE CUSTOMER SERVICE: 1-877-2-KBRASS

TECHNICAL SUPPORT E-mail: service@kingstonbrass.com

12775 Reservoir Street, Chino, CA 91710

CAUTION

Failure to follow all installation directions may cause product to detach from the wall and cause serious injury



WARNING

Lifting hazard.

Single person lift could cause injury. Use assistance when moving or lifting.

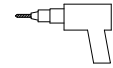
TOOLS REQUIRED



Marking Pencil



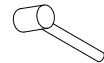
Allen Wrench



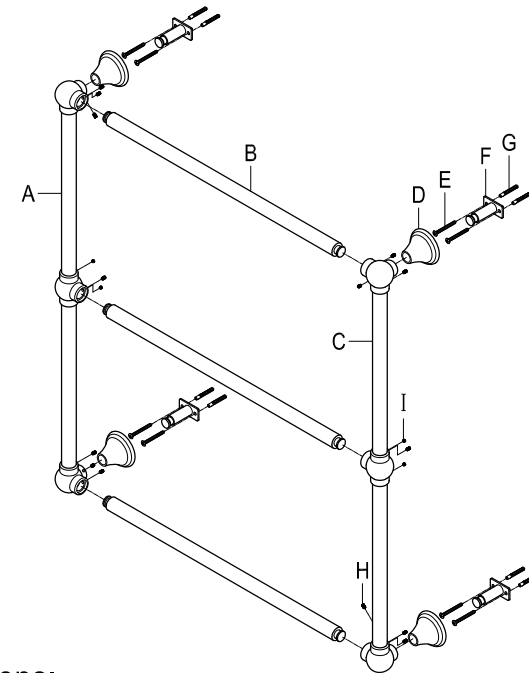
Power Drill



Phillips Screwdriver



Hammer



Installation Steps:

- Step 1. The straight tube (part B) and the support bar (part A & C), secure together using the provided set screws (part H) and Allen wrench. Repeat on other side and with the remaining straight tube.
- Step 2. The mounting bracket (part F) and the support bar (part A & C), secure together using the provided set screws (part H) and Allen wrench.
- Step 3. Place towel rack at the desired location with a pencil, mark the location of the mounting screws (part E) on the wall. Drill holes at the marked locations.
- Step 4. Insert anchors (part G) into the holes with a hammer until flush with the wall.
- Step 5. Need to loosen the mounting bracket (part F) from the towel rack, then screw the mounting bracket (part F) to the wall with the mounting screws (part E).
- Step 6. Placed the flange (part D) into the mounting bracket (part F).
- Step 7. Insert towel rack into the mounting bracket (part F) and secure the set screw (part H) tightening with an Allen wrench.
- Step 8. Check that all screws are tight and secure on your completed towel rack.

Cleaning

Clean with a damp cloth only.
Avoid using metal or abrasive polishes.