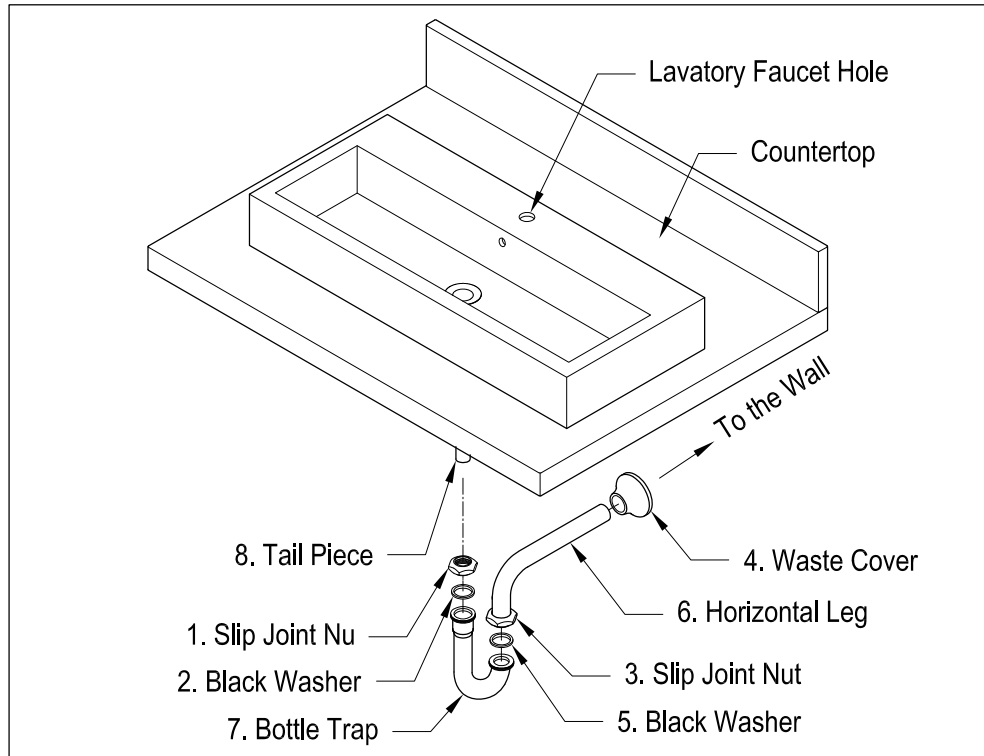
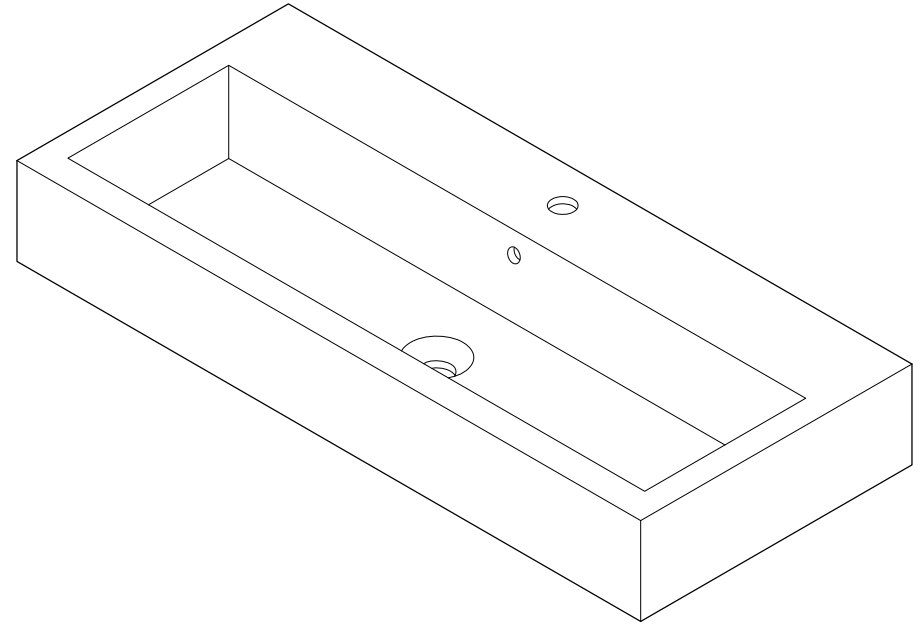


P-Trap Installation:



1. Remove horizontal leg and slip joint nut from bottle trap.
2. Apply Teflon tape to all exposed threads.
3. Insert slip joint nut (3) and waste cover (4) onto horizontal leg (6).
4. Insert horizontal leg into wall waste opening, do not tighten.
5. Insert black washer (2) and slip joint nut (1) onto tail piece (8).
6. Attach bottle trap (7) to tail piece and hand tighten slip joint nut (1).
7. Align bottle trap with horizontal leg and tail piece, at this point it may be necessary to cut part of tail piece or part of horizontal leg to obtain proper alignment.
8. After all components have been properly aligned, insert horizontal leg making sure to insert black washer (5) before tightening slip joint nut (3).
9. Thread both slip joint nuts onto bottle trap and tighten along with slip joint securing horizontal leg to wall waste opening.
10. Check for leakage by opening faucet and letting water run for at least 45 seconds.

FAUCETURE



www.kingstonbrass.com

TOLL-FREE CUSTOMER SERVICE: 1-877-2-KBRASS

TECHNICAL SUPPORT E-mail: service@kingstonbrass.com

12775 Reservoir Street, Chino, CA 91710

FAUCETURE

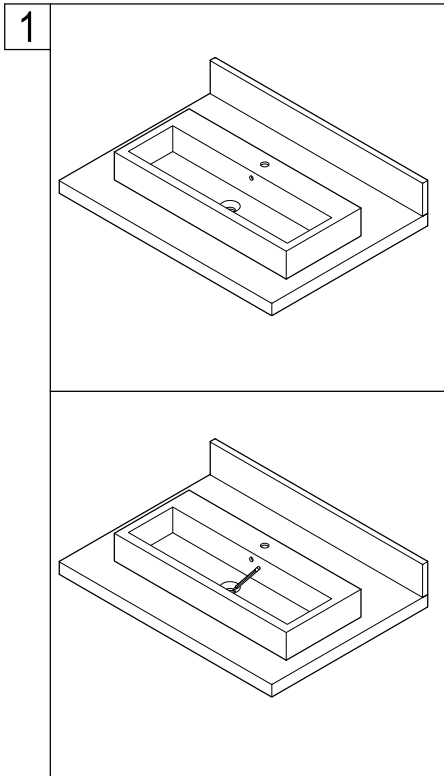
INSTALLATION INSTRUCTIONS

Tabletop Mount and Console Sink

Before Installation :

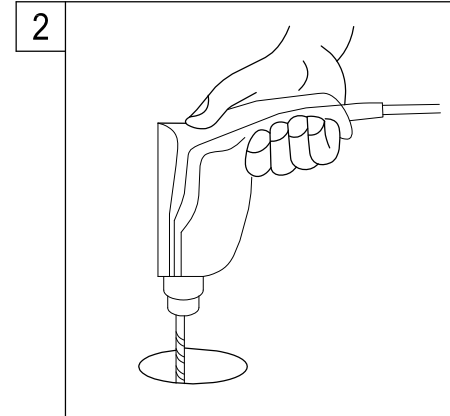
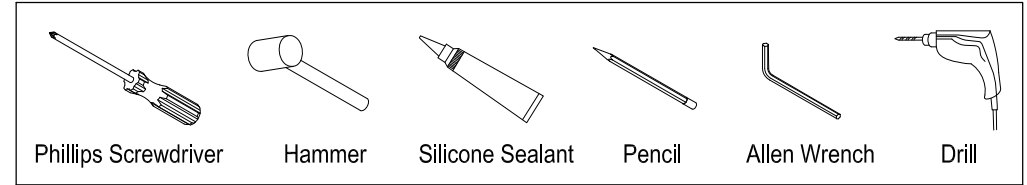
1. Prior to Installation, unpack your new Kingston Brass product and inspect it, keep the product in its original package until you are ready to install it.
2. Shut the water supply off prior to replacing an existing fixture.
3. Observe all local plumbing codes.
4. Due to the size of this vessel sink this installation requires at least 2 people.
5. This lavatory basin is designed to be installed using the appropriate console legs or on a counter top installation. Do not install as a wallmount.

For tabletop mount Installation :

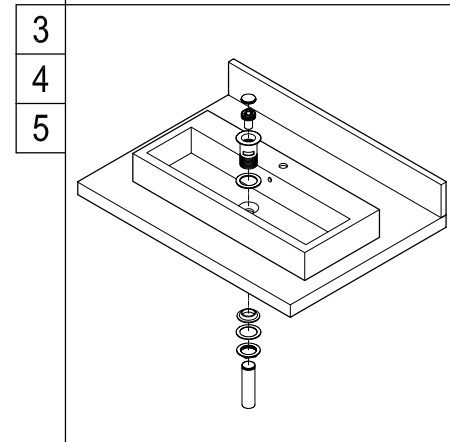


1. Place vessel sink on top of vessels where it will be installed, mark the location of the drain hole as well as the faucet hole, remove vessel.

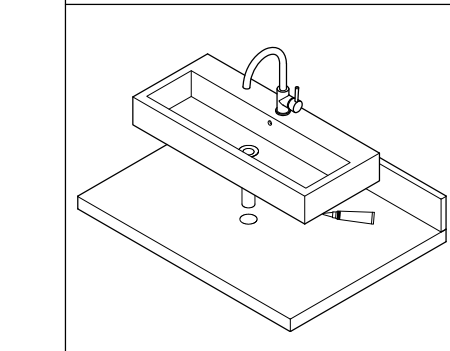
Need Tools:



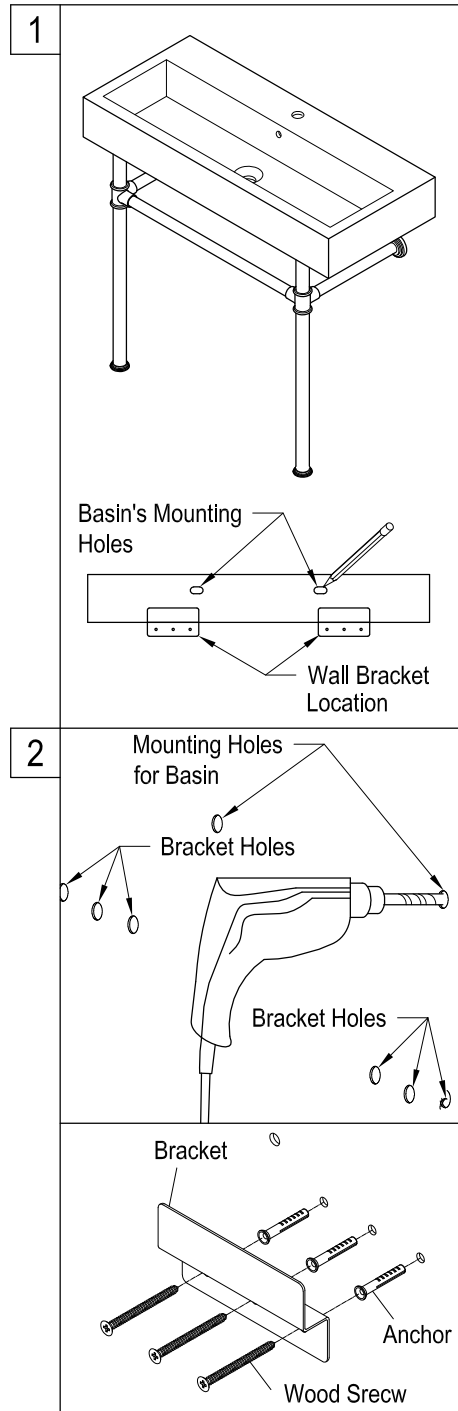
2. Cut a 2" hole at the drain location as well as the faucet location.



3. Install the faucet and the drain on the vessel sink and apply a bead of silicone around the perimeter of the vessel sink.
4. Carefully set sink at its intended location, clean excess caulking.
5. Connect P-trap to drain and water supplies.

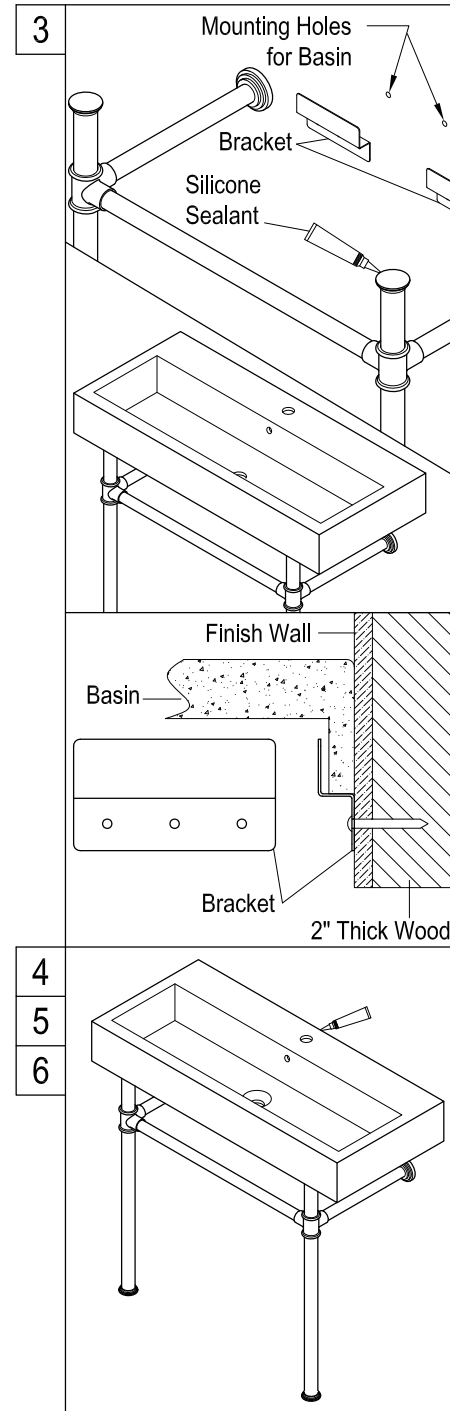


For basin pedestal Installation:



1. Carefully place the basin on the top of leg support assembly with its back against the wall. Then place the basin supporting bracket to the flat edge under the basin. Mark the location of the basin's mounting holes and the location of drill holes for the bracket.

2. Remove basin, drill the mounting holes and holes for bracket. Secure the bracket onto the wall by hammering the anchors and tightening the wood screws. If you are installing on a plaster (drywall) wall we recommend using toggle bolt anchors (included), drill 5/8" hole at the marked location of the mounting holes.



3. Apply silicone sealant on the top of the two vertical legs. Place the basin on the top of the leg support assembly, make sure its back is securely held by the bracket and the basin is firmly and level sat on.

Secure the basin with toggle bolt anchor as shown on the next page, then install the bracket by tightening up the wooden screws.

4. Apply a bead of silicone caulking around the perimeter of the back of the basin and secure the basin to the wall.

5. Install faucet and drain on basin as per the faucet manufacturer's instructions.

6. Attach supply lines and P trap, clean any excess caulking.

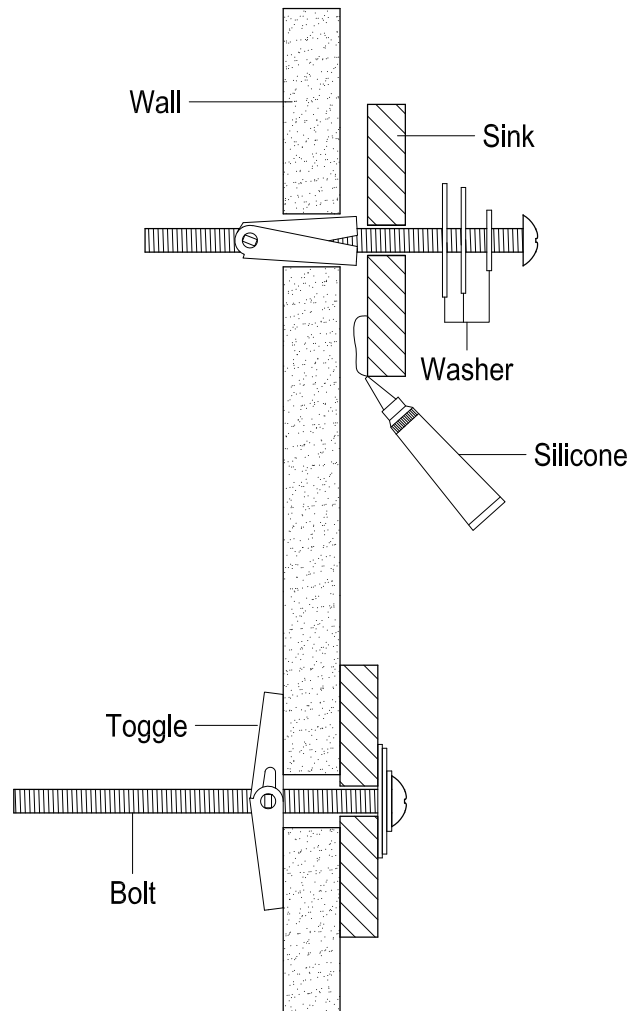
Important: We do recommend installing wood blocking inside your wall to add support to your stand. If you choose not to insert wood blocking, you will need to use heavy duty anchors (such as steel or toggles).

KINGSTON

KITCHEN & BATH

Toggle Bolt Anchor Installation Instructions:

1. If you are installing on a plaster (Drywall) wall we recommend using toggle bolt anchors (included), drill a 5/8" hole at the marked location of the holes
2. Remove toggle from bolt, insert washer on the bolt and insert bolt through the basin mounting holes.
3. Thread no more than 1/2", with the tip of the toggle pointing towards the head of the bolt, apply a bead of silicone caulking around the perimeter of the back of the sink and secure the sink to the wall by inserting the toggle bolt through the holes.
4. Make sure that the bolt went far enough to allow the toggle bolt to open, thread the bolt while pulling on it, this will ensure that the toggle inside the wall will not spin, thread until the basin has been properly secured.



www.kingstonbrass.com

TOLL-FREE CUSTOMER SERVICE: 1-877-2-KBRASS

TECHNICAL SUPPORT E-mail: service@kingstonbrass.com

12775 Reservoir Street, Chino, CA 91710