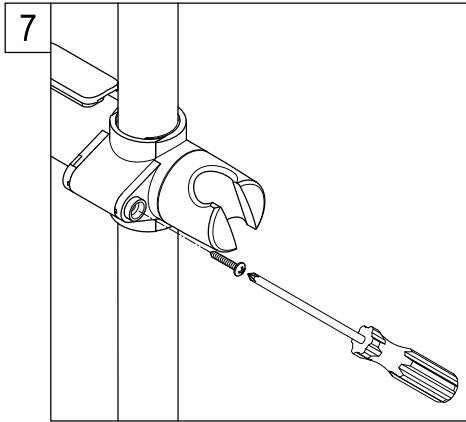
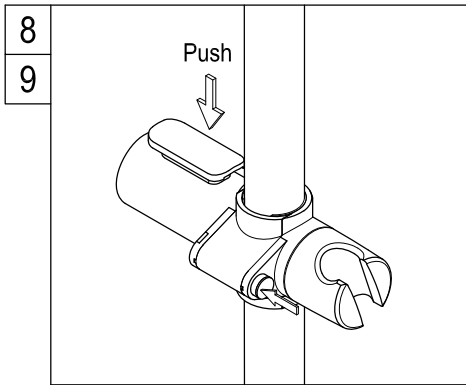


KINGSTON

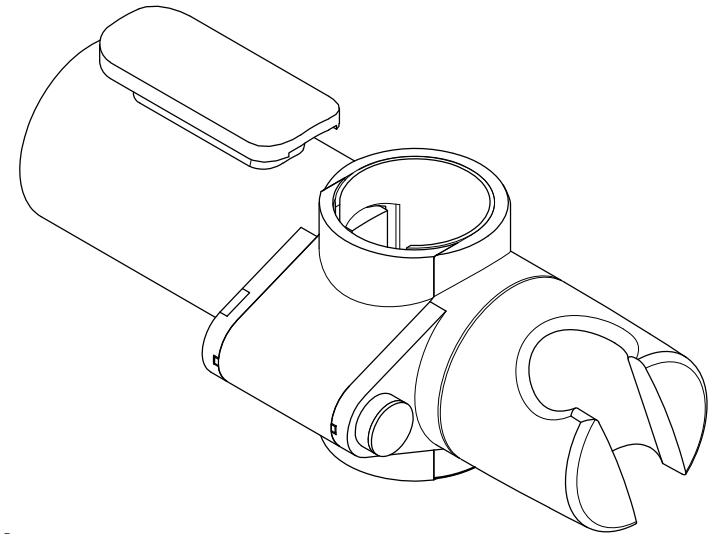
KITCHEN & BATH




7. Install screw onto the housing with a phillip head screw-driver.



8. Insert cap over screw.
9. Push down on button to move shower holder up or down to the desirable position.



Parts:

Cap & Screw

1 Pc

www.kingstonbrass.com
TOLL-FREE CUSTOMER SERVICE: 1-877-2-KBRASS
TECHNICAL SUPPORT E-mail: service@kingstonbrass.com
12775 Reservoir Street, Chino, CA 91710

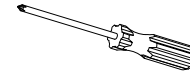
KINGSTON

KITCHEN & BATH

INSTALLATION INSTRUCTIONS

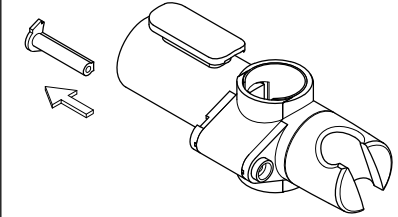
Add-On Shower Holder for Grab Bar

Need Tools:



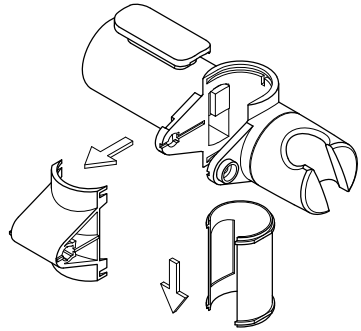
Phillips Screwdriver

1



1. Gently pull the pin (shaft) from the shower holder.

2



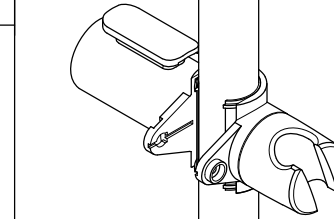
2. Disassemble the clamp and the C sleeve.

3



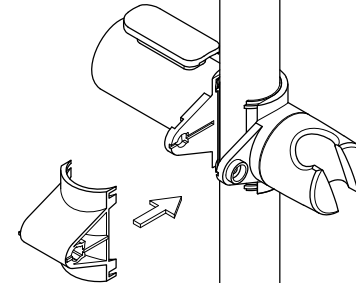
3. Clip C sleeve onto the grab bar (OD 1-1/4").

4



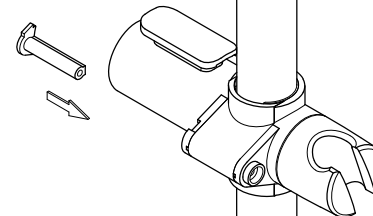
4. Carefully slide the housing onto the C sleeve.

5



5. Slide clamp into place.

6



6. Insert the pin (shaft).