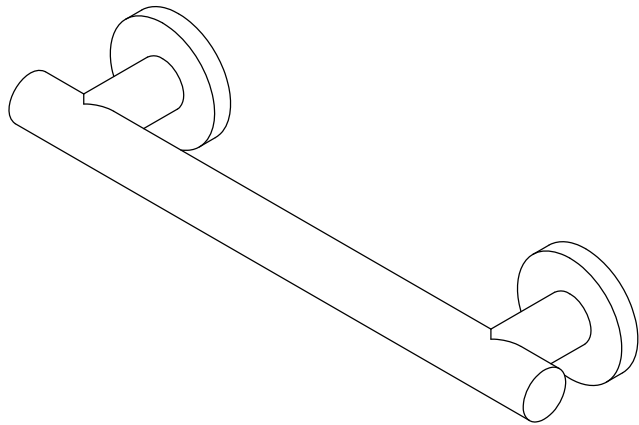


KINGSTON

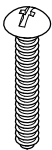
KITCHEN & BATH

Grab Bar Installation



Parts:

Mounting
Screw



6 Pcs

CAUTION

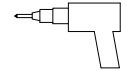
Failure to follow all installation directions may cause product to detach from the wall and cause serious injury

www.kingstonbrass.com
TOLL-FREE CUSTOMER SERVICE: 1-877-2-KBRASS
TECHNICAL SUPPORT E-mail: service@kingstonbrass.com
12775 Reservoir Street, Chino, CA 91710

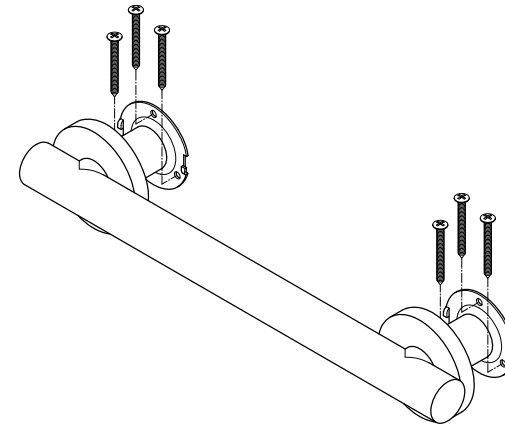
TOOLS REQUIRED



Marking Pencil



Electric Screwdriver



Before you begin your installation:

- For your own safety, this grab bar should be installed by a licensed professional.
- A grab bar is as good as the way it's installed.
- Make sure to confirm that there is proper wood backing at both points of attachment for this grab bar.
- If there is no wood backing no wood backing available at both point, attach a 2" x 6" minimum piece of lumber between the studs.
- Maximum weight capacity is 292 LBS (132 KGS).

Installation Steps:

1. Place bar at the desired location. Level and mark the location of the holes.
2. Remove bar and pre-drive all the screws in at the marked location with electric screwdriver, then remove all the screws from the wall.
3. Place the grab bar back and align the flange base with the screw holes.
4. Due to the tight space, use electric screw driver to drive all the screws only about 1/2 depth, then one by one tighten up all screws to secure the grab bar.
5. Press flanges to the base and turn clockwise to lock in place.

Cleaning

Clean with a damp cloth only.
Avoid using metal or abrasive polishes.

© 2022-10-E Kingston Brass