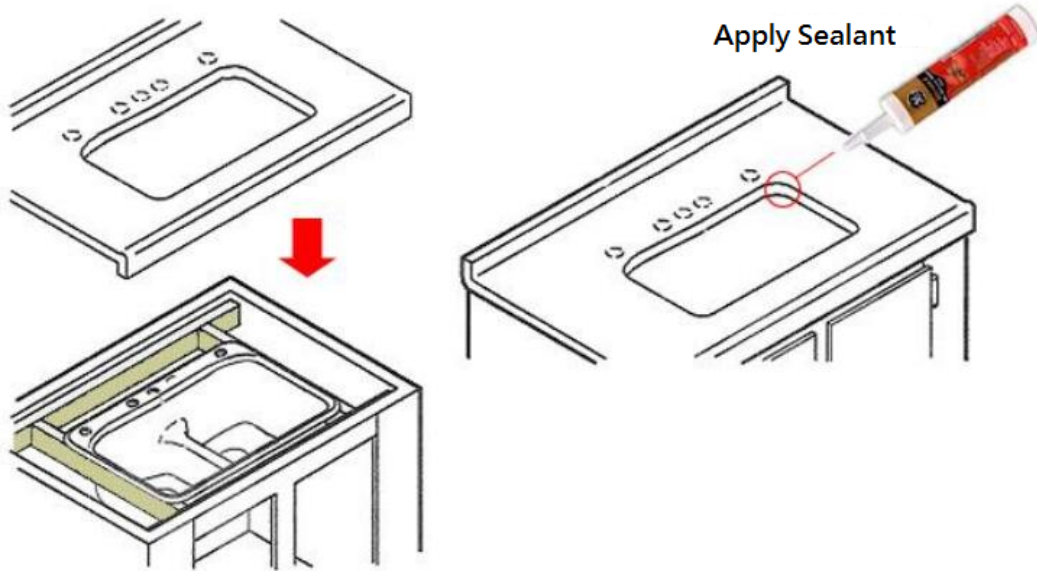
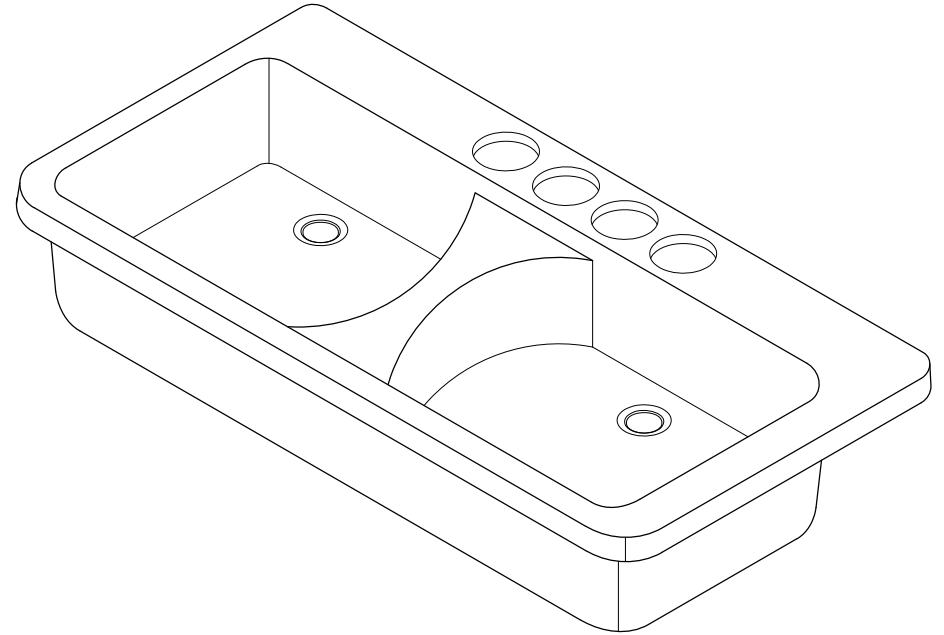


2. Add a thin bead of silicone on the top surface of the wood support structure and place sink on top, it may be necessary to shim it to obtain a tight gap between the sink and the counter.
3. After Counter has been installed seal the gap between the sink and the counter with adhesive caulking.



 KINGSTON
GOURMETIER



www.kingstonbrass.com

TOLL-FREE CUSTOMER SERVICE: 1-877-2-KBRASS
TECHNICAL SUPPORT E-mail: service@kingstonbrass.com
12775 Reservoir Street, Chino, CA 91710

NOTICE

Failure to follow all directions may cause leaks
which may result in water damage



WARNING

Lifting hazard.

Single person lift could
cause injury.
Use assistance when
moving or lifting.

GOURMETIER

Undermount Kitchen Sink Installation Instructions

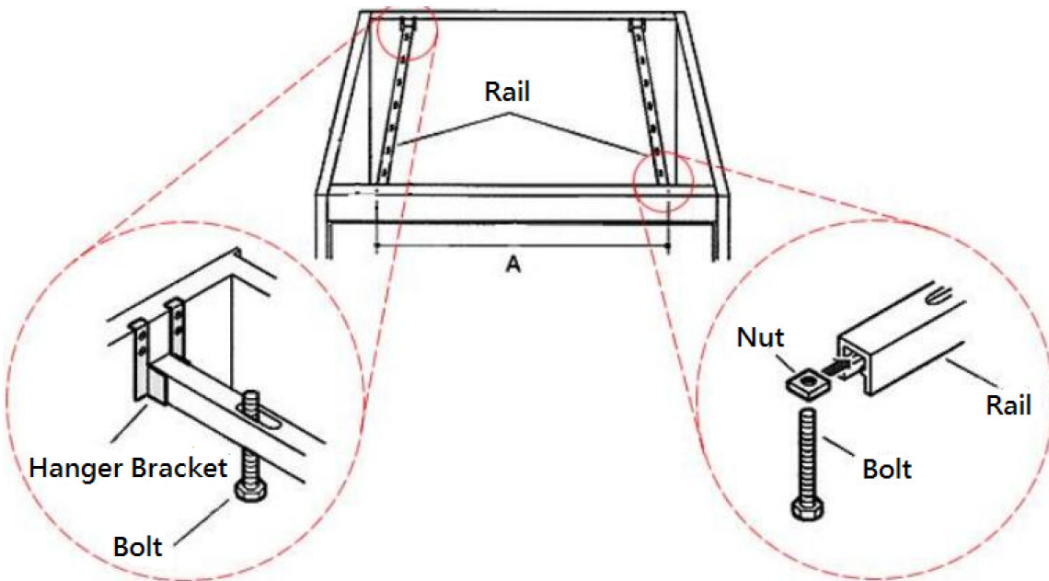
These instructions are for installing KINGSTON Cast Iron Kitchen sinks.

Note:

- It is recommended that all countertops be cut and installed by an approved or certified professional.
- Thoroughly inspect the product and all materials for any damage prior to installation. Do not install a damaged or defective unit.
- Responsibility with observing all local plumbing and building codes lies with the consumer.
- Warranty will be voided if the product has not been installed and maintained in accordance with all written instructions accompanying the product.
- This sink was designed to be installed as an undercounter sink.
- There are 2 options that you may use to mount this sink; box includes 2 support rails with all the necessary hardware to use them as a support for your sink, the second system of installation will be using 2" x 4" or larger lumber.

For Option A installation :

1. Slide nuts on U-Channel and line up with slots on top of U-Channel and thread screws until the screws project from the top of the U-channel, insert rubber bumpers on top of the screws.



2. Measure width of sink and securely attach the hanger brackets so the U-Channel supports will sit parallel at a distance just inside the outer edges of the sink and insert the U-Channel support into the hanger brackets.
3. Place sink on top of the U-channel supports, adjust height by tightening or loosening the screws on the U-Channel supports.
4. After Counter has been installed seal the gap between the sink and the counter with adhesive caulking.

For Option B installation :

1. Carefully measure the thickness of the sink at the lip and build a support structure using 2" x 4" or larger lumber and secure to the inside of the cabinet so that the top of the support structure can accommodate the thickness of the sink under the counter.

