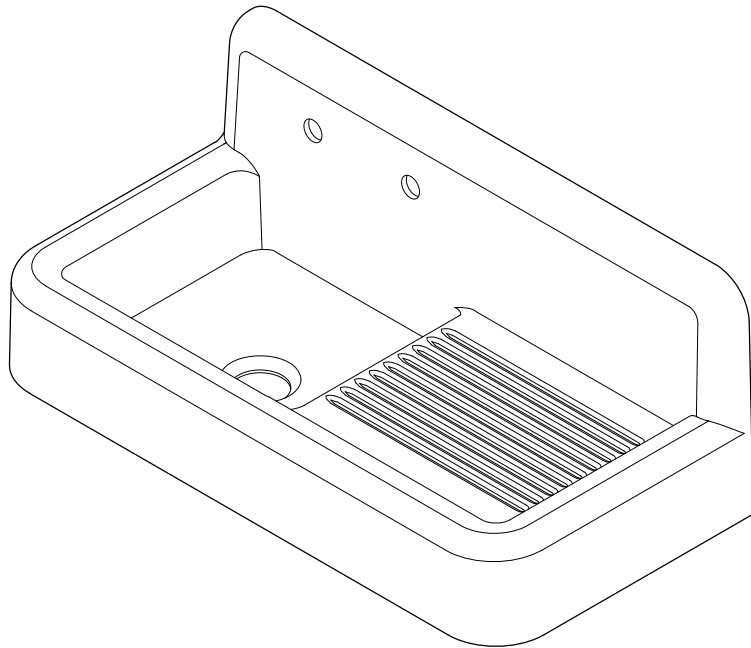


GOURMETIER™

KINGSTON CREATION

INSTALLATION INSTRUCTIONS

WALL MOUNT SINK



CAUTION

Failure to follow all installation directions may cause product to detach from the wall and cause serious injury

NOTICE

Failure to follow all directions may cause leaks which may result in water damage

www.kingstonbrass.com
 TOLL-FREE CUSTOMER SERVICE: 1-877-2-KBRASS
 TECHNICAL SUPPORT E-mail: service@kingstonbrass.com
 12775 Reservoir Street, Chino, CA 91710

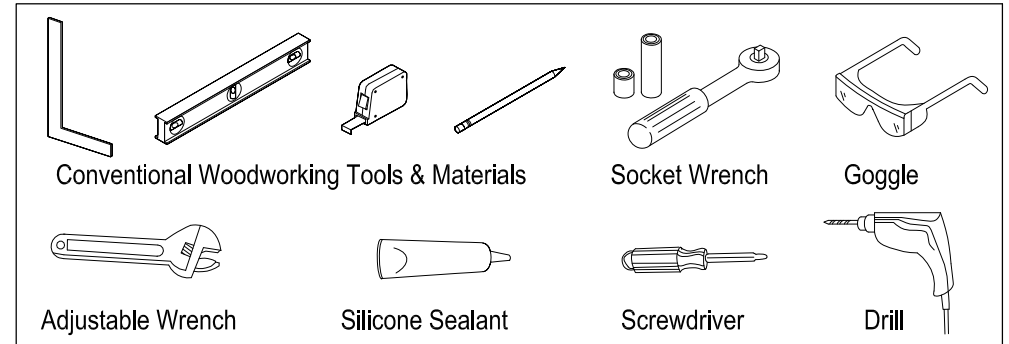


WARNING

Lifting hazard.

Single person lift could cause injury.
 Use assistance when moving or lifting.

Need Tools:



Conventional Woodworking Tools & Materials

Socket Wrench

Goggle

Adjustable Wrench

Silicone Sealant

Screwdriver

Drill

This sink is designed to be wall mounted, please follow the directions accordingly.

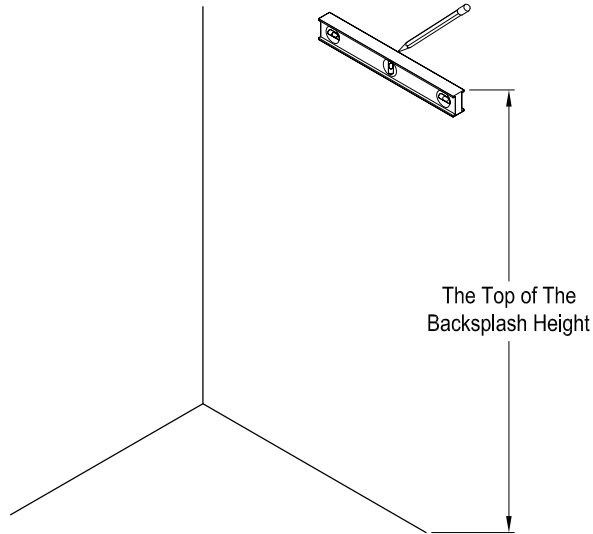
Before Installation

- Follow all local building codes.
- Open box and make sure that all the components are complete.
- Because of the weight of this sink it is recommended that you recruit the assistance of a second person.
- Attach 2" x 6" or larger lumber bracing at the area where the sink will be installed.

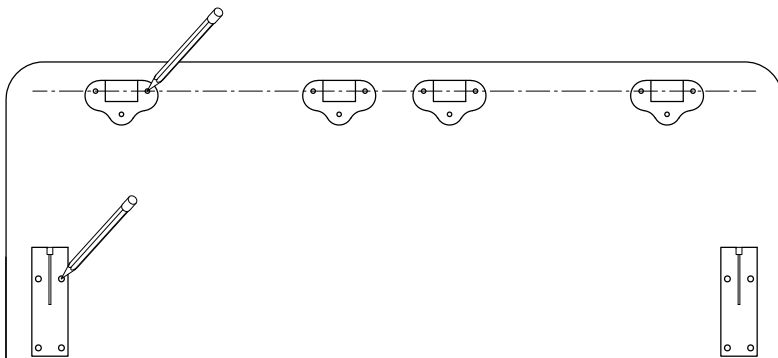
IMPORTANT you must consult a qualified professional to determine if anchors are required and recommendation of the appropriate anchors for your specific site conditions, manufacturer shall not be held liable for any damages caused by a faulty installation of this item.

For wall mount installation

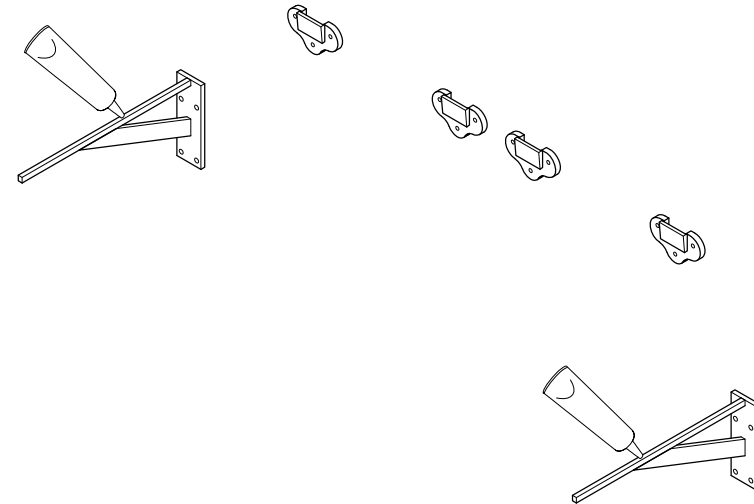
1. This sink is designed to be secured using 2" x 6" or larger wood bracing on the wall where it is to be installed.
2. Measure the desired height of the sink and mark a horizontal leveled line at the height where the top of the backsplash will be situated.



3. Place enclosed template at the marked line and mark the perimeter and hole location of the wall hangers as well as the hole location of the vertical L bracket.



4. Drill pilot holes for the 3" or larger wood screws (not included) at the marked locations for the wall hangers and the lower support bracket.
5. Using 3" or larger wood screws (not included), secure the wall hangers (4) and the vertical L brackets (2), apply adhesive caulking on the top portion of the horizontal arm of the wall bracket.



6. Install faucet, supply lines and drain on the sink, place the sink on the wall at the location where it will be installed and slide down onto the wall brackets.

