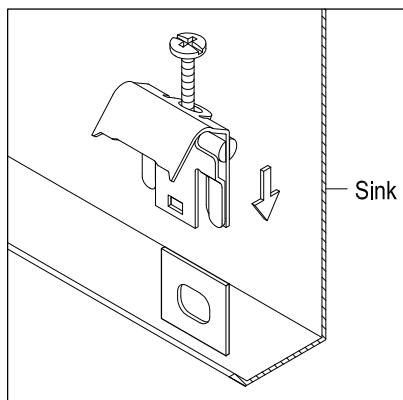
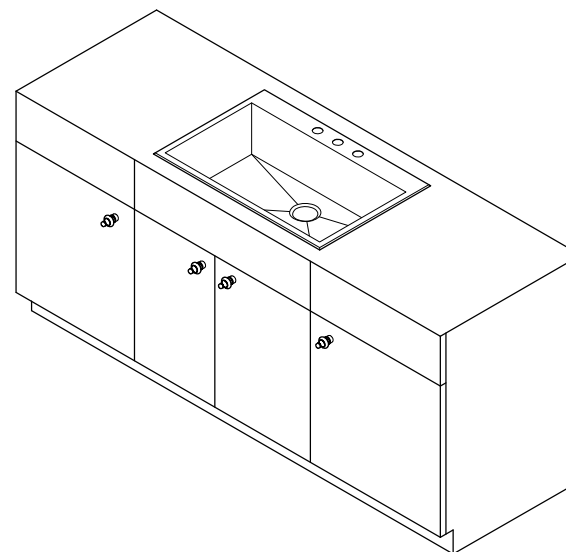
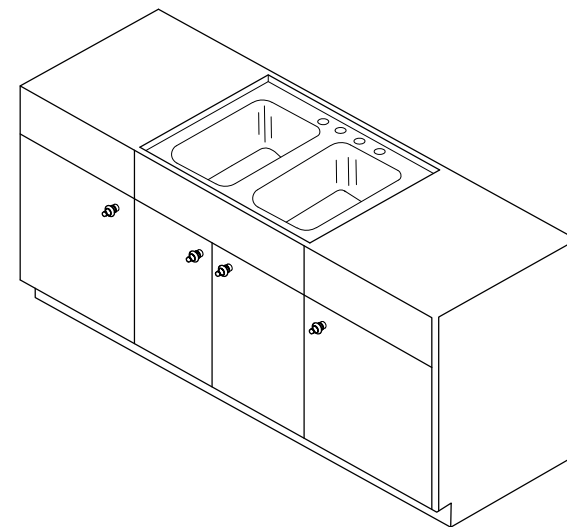
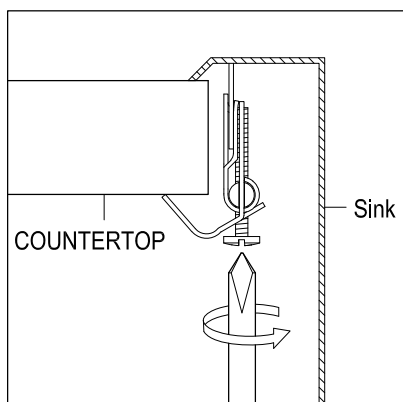


3. Place the sink upside down, insert bracket into the sink's channel at a 45° angle making sure to point the mounting brackets teeth towards the outside of the sink, attach 3 clips on the long sides and 2 on the short sides.



4. Install faucet and drain and apply a bead of silicone based caulking around the perimeter of the sink's cut-out and insert sink into the opening. Press down and tighten the clips to secure the sink to the countertop, wipe off any excess caulking.



NOTICE

Failure to follow all directions may cause leaks
which may result in water damage

www.kingstonbrass.com
TOLL-FREE CUSTOMER SERVICE: 1-877-2-KBRASS
TECHNICAL SUPPORT E-mail: service@kingstonbrass.com
12775 Reservoir Street, Chino, CA 91710



INSTALLATION INSTRUCTIONS DUAL MOUNT DROP-IN OR UNDERMOUNT SINK

These instructions are for installing this Kingston Brass dual mount stainless steel sink, which can be installed either above or below the countertop. Before installation, make sure to have the paper template available as a guide, and using the actual sink will help achieve a more accurate cutout.

Note:

- It is recommended that all sink installations be performed by a qualified professional.
- Inspect sink prior to installation.
- Follow all plumbing and building codes.
- The warranty will be voided if all instructions are not followed.

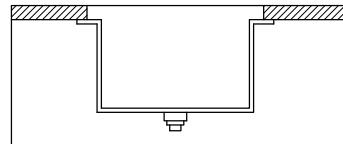
Installation:

If Countertop needs to be cut, mark sink cut-out by placing sink upside down, check under the counter to make sure that the sink bowl will fit into the sink without interference of the cabinet.

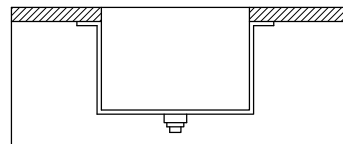
For Undermount installation

For Undermount sinks there are three different reveals possible, positive, zero and negative, deciding your preferred look must be done prior to cutting the countertop.

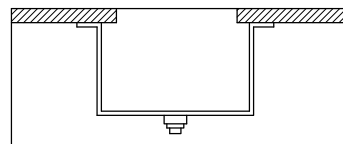
Positive Reveal – The countertop edge sits approximately 1/8" back from the edge of the sink, exposing the sink rim. All Kingston Brass undermount sinks feature a 1" finished rim.



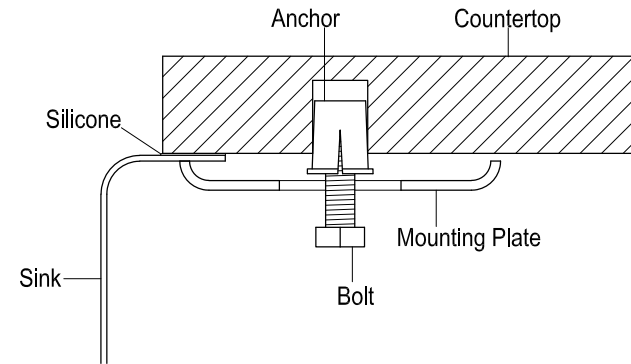
Zero Reveal - The countertop edges are flushed with the edge of the sink edges.



Negative Reveal – The countertop extends over the edge of the sink on all sides by approximately 1/8". Use caution with this installation to be sure that accessories such as colanders or cutting boards will fit properly. Templates are supplied only as a guide, and using the actual sink will help achieve a more accurate cutout.



1. Drill evenly spaced 7/16" holes to insert anchors, generally 2 pcs on each short side and 3 pcs on each long side.
2. Install faucet and drains and add a bead of silicone based caulking around the perimeter of the sink and place the sink at the desired location.
3. Place plates with the curved end towards the sink and thread bolts until the sink is firmly secure.
4. Wipe off any excess caulking.



For Drop-in Installation

1. Trace completely around the edge of the sink, remove sink and draw a cut line 5/16" inside the outside line, follow the sink's radius accordingly.
2. Drill hole on the inside of the cut line and using a saw cut around the perimeter of the sink following the cut line.

