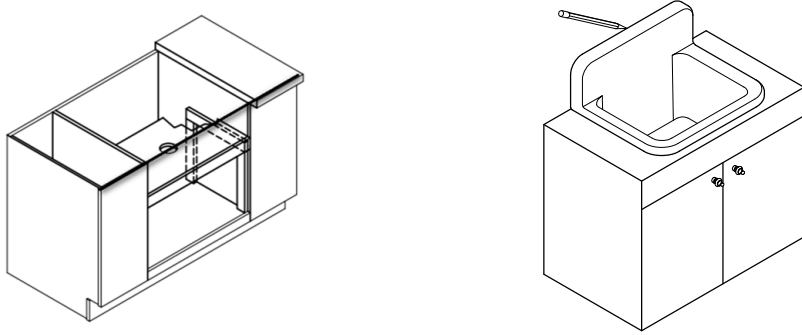


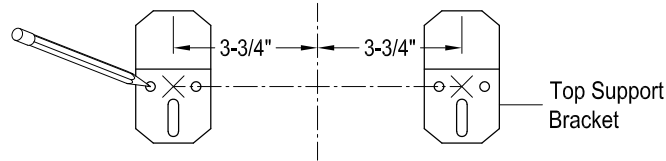
For drop-in Installation

Cut a perimeter hole on the counter top where the sink is to be installed. Build a support structure 10-13/16" below the top of the counter, make sure to secure structure to the floor and side walls of the cabinet, and that it is strong enough to support 100 Lbs. Allow space for the drain connection.



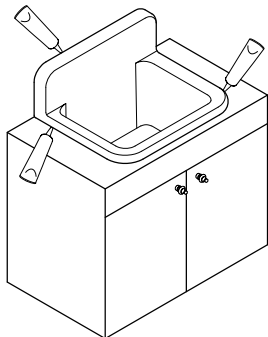
Set the sink at the desired place and mark a horizontal leveled line at where the top of the backsplash will be situated, remove the sink, measure 4-5/16" down from the previous line and mark another horizontal leveled line.

Find the center of the lower line and mark 2 points at 3-3/4" on either side of the center point, center the bottom of the top support bracket at those points and mark the position of the holes (3), if the bracket is not secured to wood bracing, drill 5/16" holes to a depth of 1-7/8" minimum at those locations, insert the enclosed anchors, remove the nut and washers on the anchors, insert the support bracket on the anchor bolts, insert washer and tighten nut, if the sink will be secured to wood bracing behind the wall, secure bracket using 3" wood screws.



Apply caulking around the perimeter of the lip and back of the sink and gently set it down on the counter.

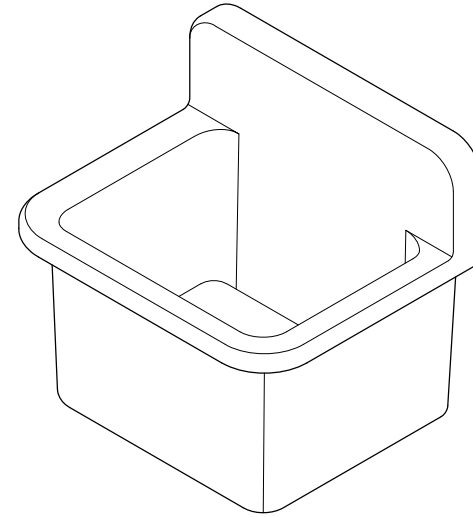
Clean excess caulking, Install trap as per manufacturer's instructions.



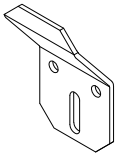
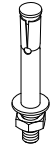
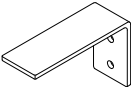
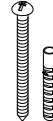
© 2023-06-T Kingston Brass

GOURMETIER™

KINGSTON CREATION



Parts:

Top Support Bracket	Mounting Screw Set of Top	Bottom Support Bracket	Mounting Screw Set of Bottom
			
2 Pcs	6 Pcs	2 Pcs	4 Pcs

! CAUTION

Failure to follow all installation directions may cause product to detach from the wall and cause serious injury

NOTICE

Failure to follow all directions may cause leaks which may result in water damage

www.kingstonbrass.com
TOLL-FREE CUSTOMER SERVICE: 1-877-2-KBRASS
TECHNICAL SUPPORT E-mail: service@kingstonbrass.com
12775 Reservoir Street, Chino, CA 91710



! WARNING

Lifting hazard.

Single person lift could cause injury. Use assistance when moving or lifting.

GOURMETIER™

KINGSTON CREATION

INSTALLATION INSTRUCTIONS WALL MOUNT / DROP-IN SINK

This sink is designed to be wall mounted or installed as a drop-in on a cabinet, please follow the directions accordingly.

Before Installation

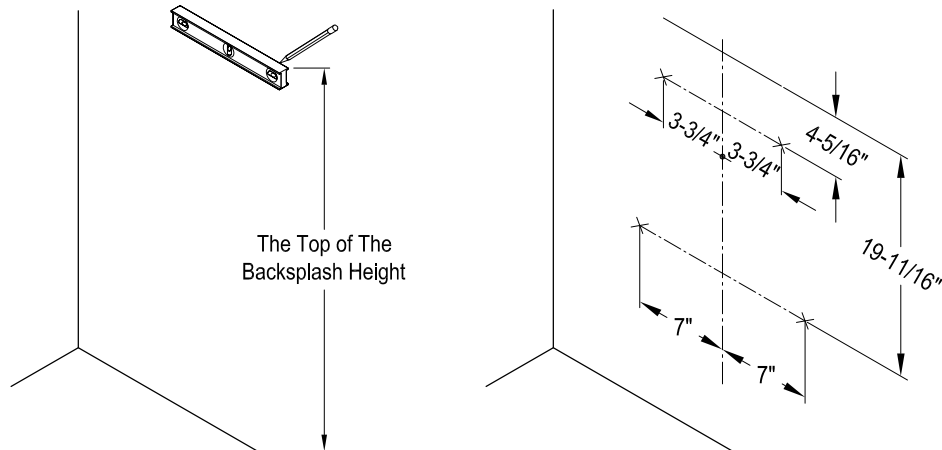
- Follow all local building codes.
- Open box and make sure that all the components are complete.
- Because of the weight of this sink it is recommended that you recruit the assistance of a second person.

IMPORTANT Although anchors are included with your sink, you must consult a qualified professional to determine the appropriate anchors for your specific site conditions, manufacturer shall not be held liable for any damages caused by a faulty installation of this item.

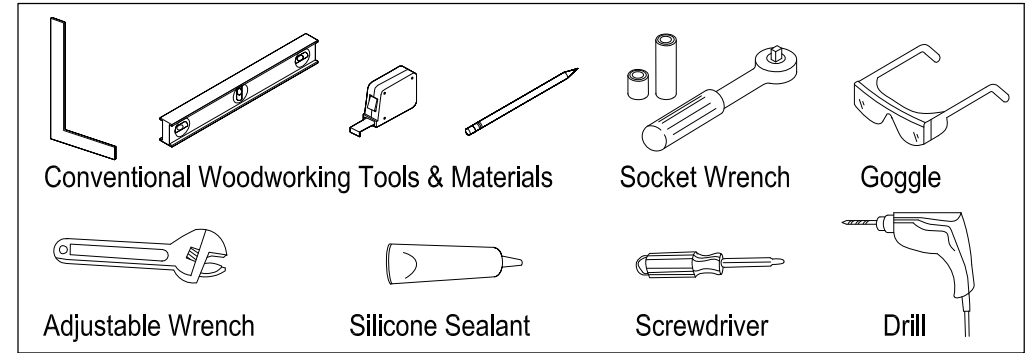
For wall mount installation

It is recommended that this sink be secured to 2" x 6" lumber bracing on the wall where it is to be installed.

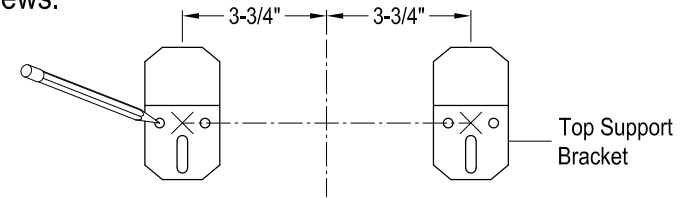
Find the desired location of the sink and mark a vertical center line, measure the desired height of the sink and mark a horizontal leveled line at where the top of the backsplash will be situated, measure 4-5/16" down from the previous line and mark another horizontal leveled line.



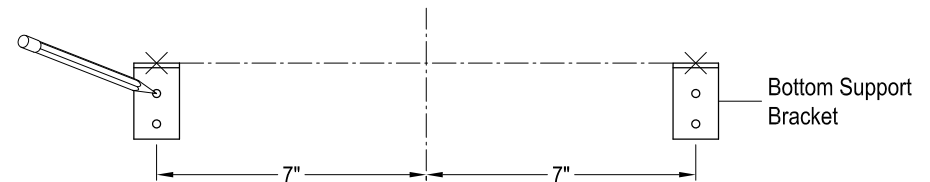
Need Tools:



Find the center of the lower line and mark 2 points at 3-3/4" on either side of the center point, center the bottom of the top support bracket at those points and mark the position of the holes (3), if the bracket is not secured to wood bracing, drill 5/16" holes to a depth of 1-7/8" minimum at those locations, insert the enclosed anchors, remove the nut and washers on the anchors, insert the support bracket on the anchor bolts, insert washer and nut and tighten nut, if the sink will be secured to wood bracing behind the wall, secure bracket using 3" wood screws.



Measure 19-11/16" from the top line and using a level mark a horizontal line, mark 2 points at 7" from the centerline. Place the top of the bottom support bracket and mark the location of the 2 holes, secure with anchors or wood screws if it is attached to wood bracing.



Install sink basket strainer, apply caulking to the back of the sink and slide down onto the support brackets, install trap, install trap as per manufacturer's instructions.