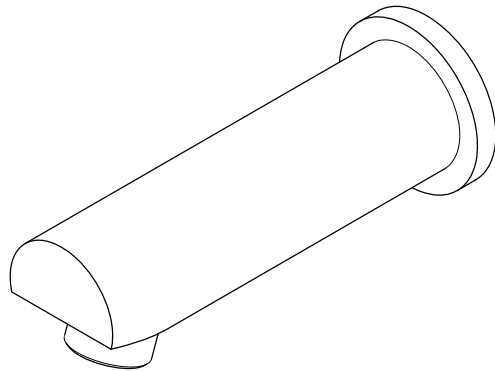
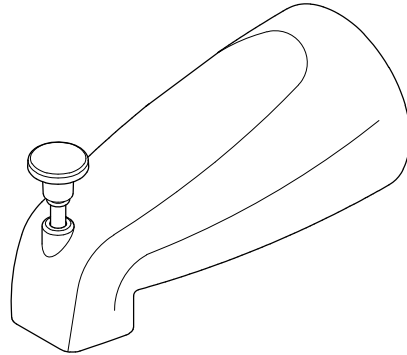


KINGSTON

KITCHEN & BATH

Tub Spout Installation



NOTICE

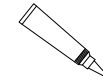
Failure to follow all directions may cause leaks
which may result in water damage

www.kingstonbrass.com
TOLL-FREE CUSTOMER SERVICE: 1-877-2-KBRASS
TECHNICAL SUPPORT E-mail: service@kingstonbrass.com
12775 Reservoir Street, Chino, CA 91710

TOOLS REQUIRED



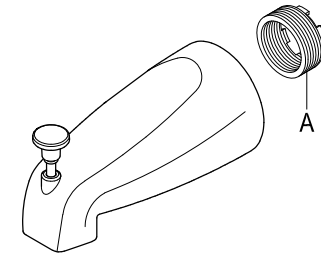
Teflon Tape



Silicone Sealant

Installation Instruction:

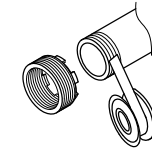
Remove bushing (part A) from spout.



For 1/2 IPS pipe:

Step 1. Wrap Teflon tape on pipe.

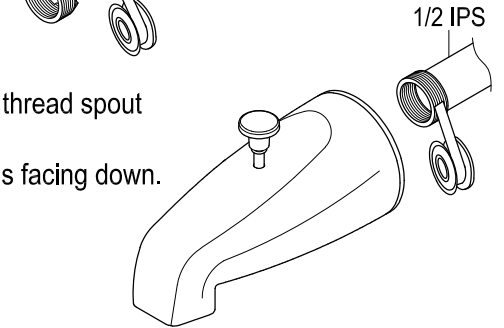
(Considering the different Teflon tapes are with different thickness, please wrap Teflon tape at least 6 cycles. It would be better to wrap more than 6 cycles.)



Step 2. Thread bushing onto pipe.

Step 3. Wrap Teflon tape on bushing and thread spout onto bushing.

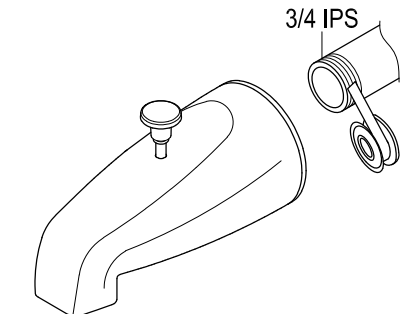
Adjusting to make sure the spout is facing down.



For 3/4 IPS pipe:

Step 1. Wrap Teflon tape on pipe.

(Considering the different Teflon tapes are with different thickness, please wrap Teflon tape at least 6 cycles. It would be better to wrap more than 6 cycles.)



Step 2. Thread spout onto pipe.

Adjusting to make sure the spout is facing down.

©2024-02-D Kingston Brass