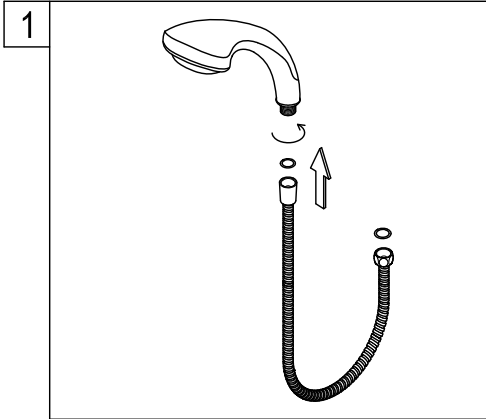
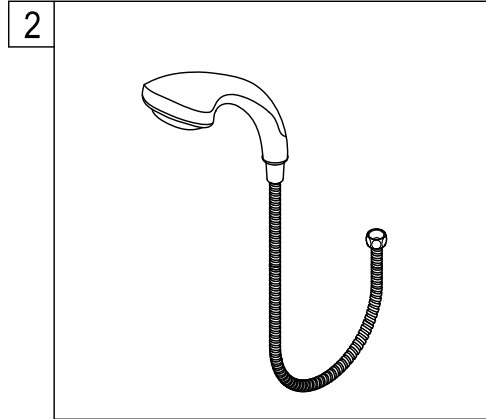


Installation manual for hand shower :

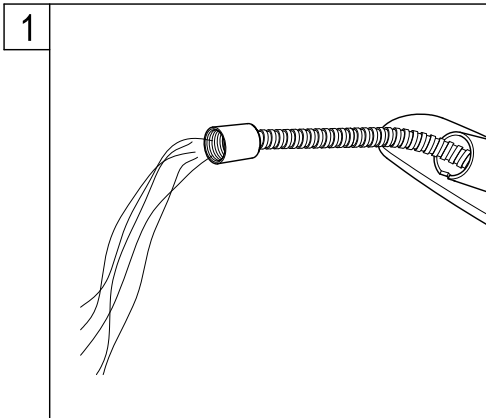


1. Put a washer to the cone shape hose nut and hand tightens the hand shower clockwise.

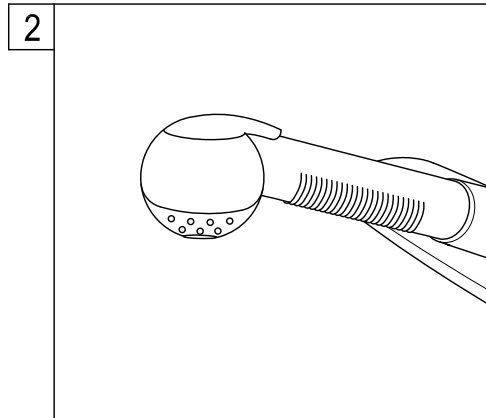


2. Turn on the water and check for leaks, if the hand shower leaks at the connection to the hose, hand tighten the connection some more.

Installation manual for pull-out & pull-down sprayer:



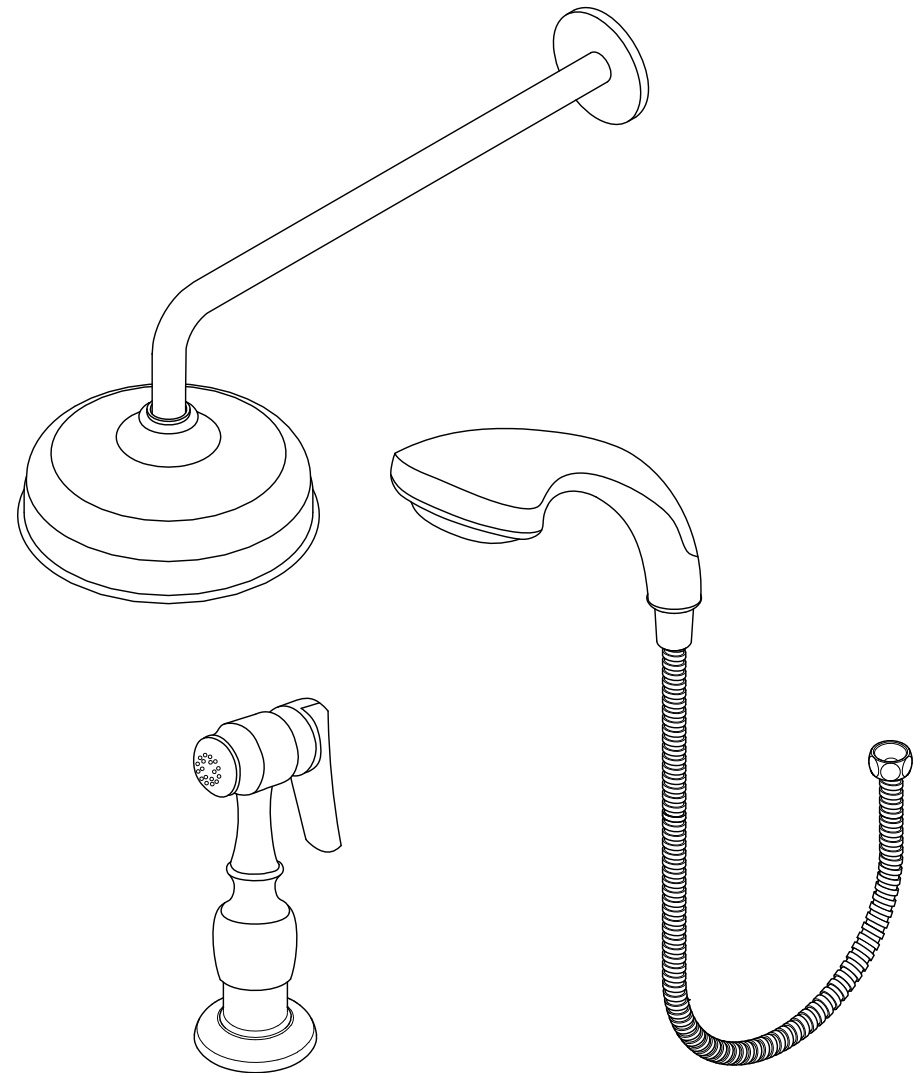
1. Thread hose to spray head and feed from the top into the faucet spout, turn the spout to the right or to the left fully to facilitate the insertion of the hose.



2. After applying Teflon tape thread other end of hose to spray hose outlet, located underneath the faucet. Remove sprayhead and let water run for at least one minute to eject any debris remaining on the line, reinstall sprayhead.

KINGSTON BRASS

THE TRADITION OF FINE BRASS



www.kingstonbrass.com

TOLL-FREE CUSTOMER SERVICE: 1-877-2-KBRASS

TECHNICAL SUPPORT E-mail: service@kingstonbrass.com

12775 Reservoir Street, Chino, CA 91710

KINGSTON BRASS

THE TRADITION OF FINE BRASS

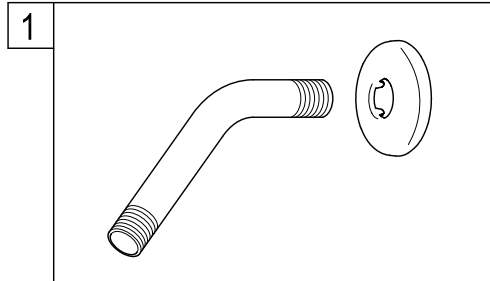
INSTALLATION INSTRUCTIONS

For Use With KB's Hand Shower Sets, Showerhead Sets and Kitchen Sprayer

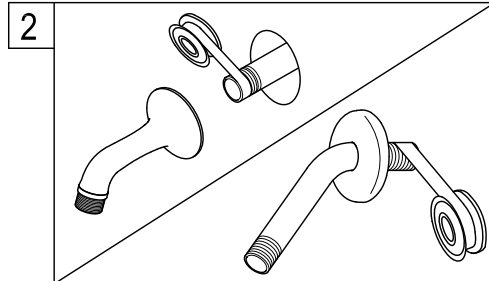
Before installation:

Hold the existing shower arm up and down to ensure the plumbing behind the wall is rigid to hold the weight of the new shower unit - about 3-4 lbs when filled with water.

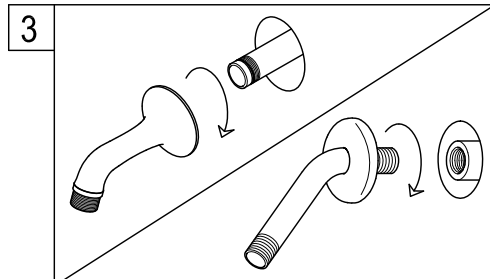
Installation manual for shower arm & showerhead:



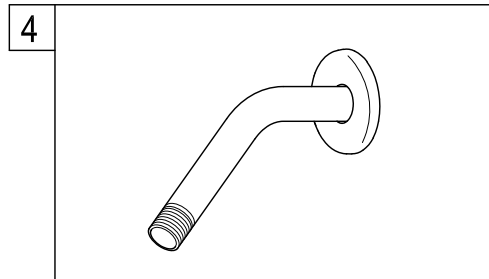
1. Place the flange into the shower rod.



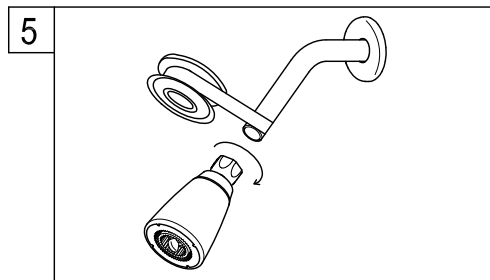
2. Wrap threads on one end of shower rod or the plumbing male nipple with 3 wraps of Teflon tape.



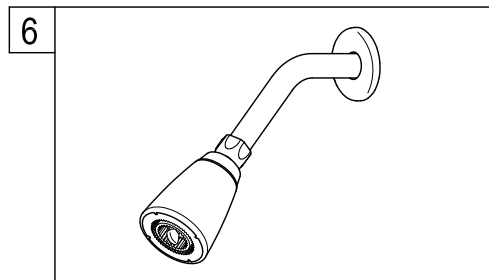
3. Thread the male nipple into female nipple (in wall), tighten with pipe wrench.



4. Turn the water on and check for leaks, any leaks will require minor tightening or adjustment.

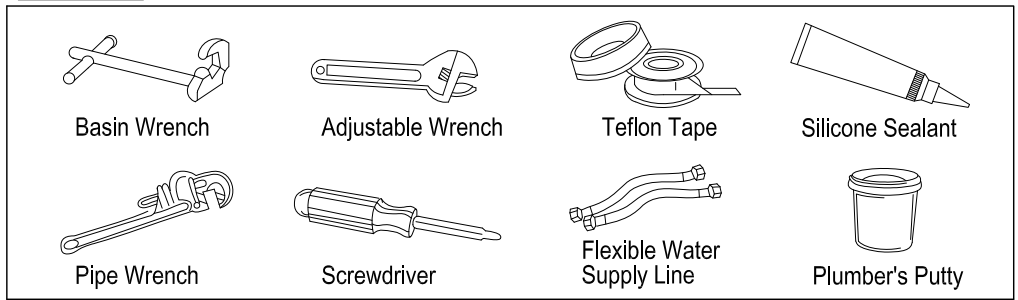


5. Wrap Teflon tape around all the threads on shower rod and hand tighten the showerhead clockwise.

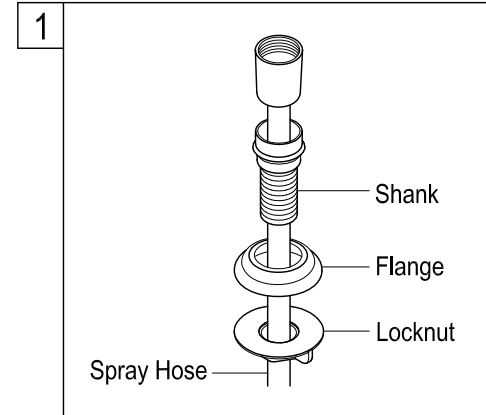


6. Turn the water on and check for leaks, any leaks will require minor tightening or adjustment. If the showerhead leaks at the connection to the thread shower arm, tighten the connection some more by using a wrench.

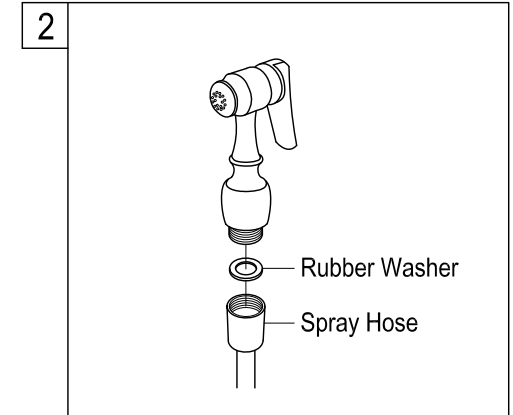
Need Tools:



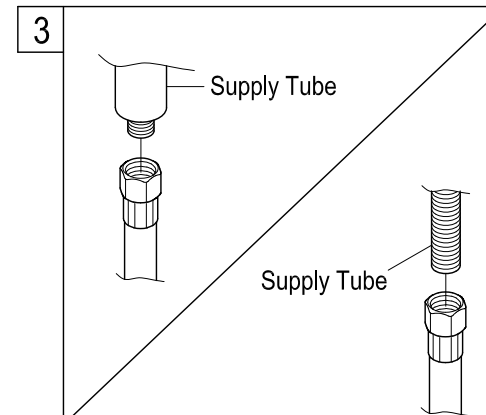
Installation manual for deck mount sprayer:



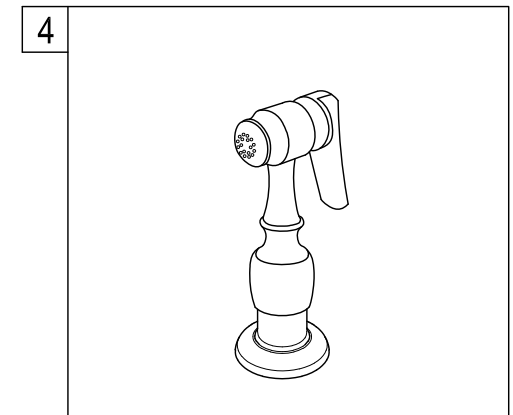
1. For model with spray head and hose, place the spray guide through the fourth hole in the sink, screw the locknut onto the shank and tighten firmly.



2. Place rubber washer to end of spray hose and attach sprayer.



3. Connect spray hose to hose outlet located underneath the faucet.



4. Set sprayer on base and sprayer is ready to use.