

# KINGSTON

KITCHEN & BATH

## INSTALLATION INSTRUCTIONS

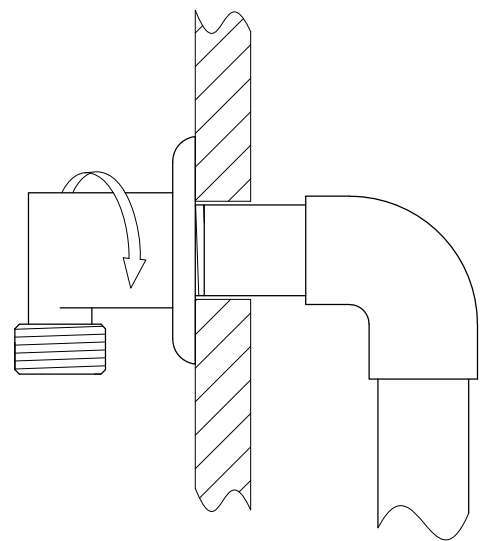
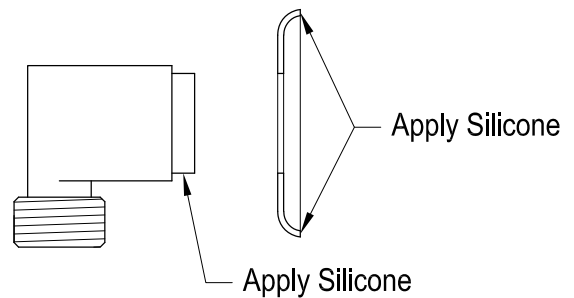
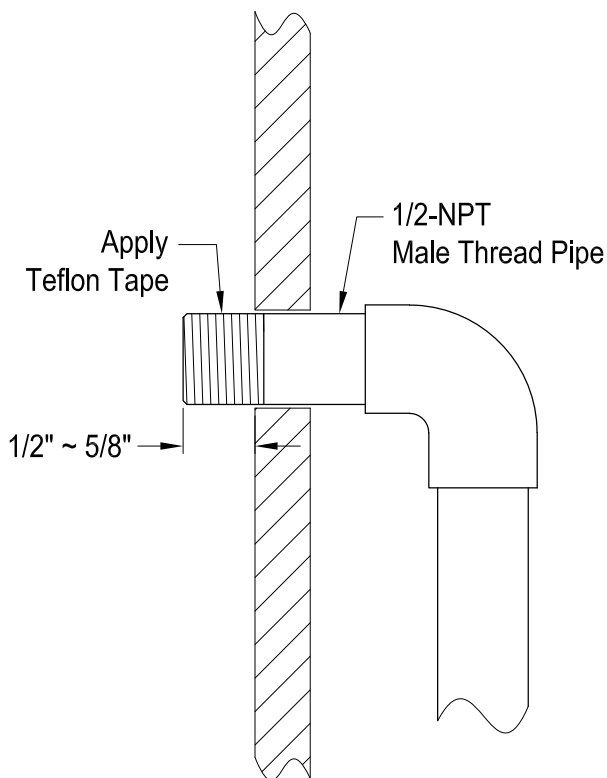
### Shower Supply Elbow

#### Instructions:

1. At the desired location, drill a hole  $\text{Ø}7/8"$  on the wall.
2. Install 1/2-NPT male thread pipe protruding from the wall 1/2" to 5/8".
3. Apply Teflon tape onto the threads.
4. Apply silicone around the neck of shower supply elbow and the back of flange.
5. Insert flange and thread the shower supply elbow onto the 1/2-NPT male thread pipe.

**Do Not Over Tighten The Thread Connection.**

6. Wipe off excess silicone around the flange.



www.kingstonbrass.com  
TOLL-FREE CUSTOMER SERVICE: 1-877-2-KBRASS  
TECHNICAL SUPPORT E-mail: service@kingstonbrass.com  
12775 Reservoir Street, Chino, CA 91710

**NOTICE**

Failure to follow all directions may cause leaks which may result in water damage

**CAUTION**

Failure to follow all installation directions may cause product to detach from the wall and cause serious injury