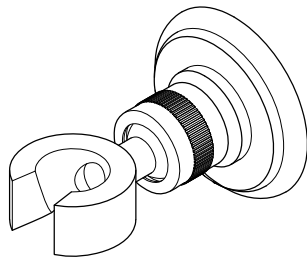
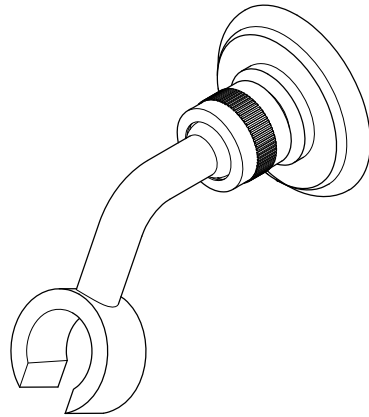


# KINGSTON

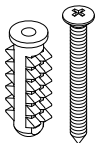
KITCHEN & BATH

## Wall Bracket Installation



### Parts:

Mounting Screw  
&  
Anchor



1 Pc

**CAUTION**

Failure to follow all installation directions may cause product to detach from the wall and cause serious injury

www.kingstonbrass.com  
TOLL-FREE CUSTOMER SERVICE: 1-877-2-KBRASS  
TECHNICAL SUPPORT E-mail: service@kingstonbrass.com  
12775 Reservoir Street, Chino, CA 91710

### TOOLS REQUIRED



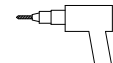
Hammer



Phillips Screwdriver



Marking Pencil



Power Drill

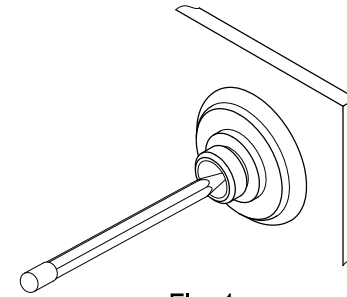


Fig. 1

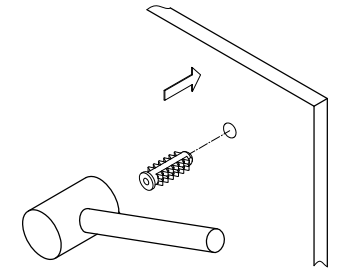


Fig. 2

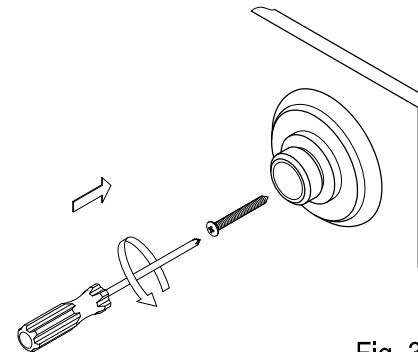


Fig. 3

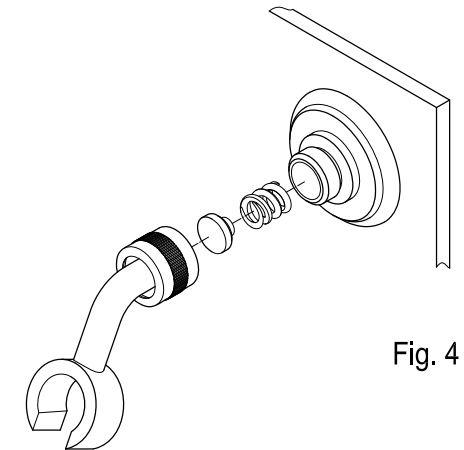


Fig. 4

### Installation Steps:

- Step 1. Locate position on the wall and mark outline of cover plate on the wall (fig. 1).
- Step 2. Locate wall bracket in the center of outline. Mark location of the mounting screw (fig.1) and drill holes at the marked location.
- Step 3. Insert anchors into the holes until flush with wall (fig. 2).
- Step 4. Screw the wall bracket base into the wall with mounting screws, place the round cover over base and slide bracket in (fig. 3).
- Step 5. Place the spring, metal washer and bracket set in the base and hand tighten in clockwise till fully secure (fig. 4).

### Cleaning

Clean with a damp cloth only.  
Avoid using metal or abrasive polishes.