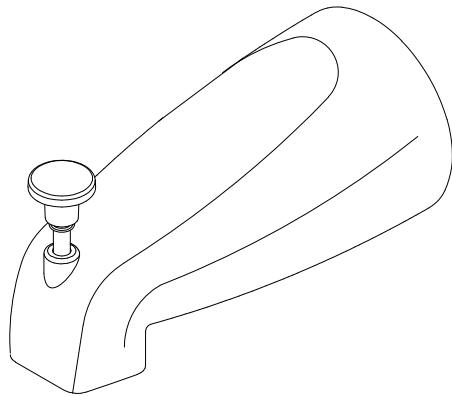
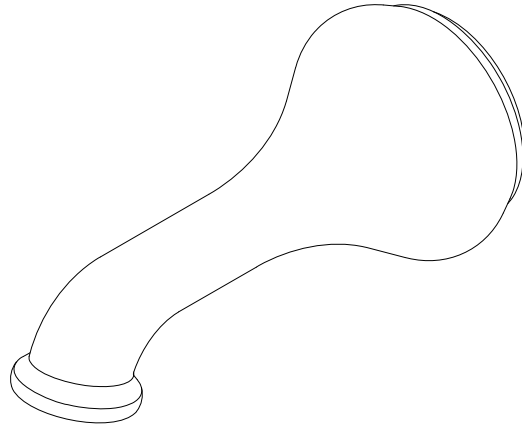


# KINGSTON

KITCHEN & BATH

## Tub Spout Installation



### Need Tools:



Note: This product is used to illustrate installation. Your product may be a different style but will install in the same way.

|   |   |   |
|---|---|---|
| <p>1      1/2" IPS<br/>4-1/8" max</p>   | <p>1      1/2" IPS<br/>4-1/8" max</p>   | <p>1      1/2" IPS<br/>3/4" max</p>   |
| <p>1. The stub-out pipe for spout installation must be at the length illustrated measured from the finished wall surface.</p> | <p>1. The stub-out pipe for spout installation must be at the length illustrated measured from the finished wall surface.</p> | <p>1. The stub-out pipe for spout installation must be at the length illustrated measured from the finished wall surface.</p> |
| <p>2</p>  | <p>2</p>  | <p>2</p>  |
| <p>2. Apply pipe Teflon tape on the pipe nipple threads.</p>  | <p>2. Apply pipe Teflon tape on the pipe nipple threads.</p>  | <p>2. Apply pipe Teflon tape on the pipe nipple threads.</p>  |
| <p>3</p>  | <p>3</p>  | <p>3</p>  |
| <p>3. Slide the spout over the pipe. With the spout tight to the wall, tighten the set screw to the pipe.</p>                 | <p>3. Slide the spout and flange over the pipe. With the spout tight to the wall, tighten the set screw to the pipe.</p>      | <p>3. Slide the spout over the pipe. With the spout tight to the wall, tighten the set screw to the pipe.</p>                 |

TOLL-FREE CUSTOMER SERVICE: 1-877-2-KBRASS  
 TECHNICAL SUPPORT E-mail: [service@kingstonbrass.com](mailto:service@kingstonbrass.com)  
 12775 Reservoir Street, Chino, CA 91710