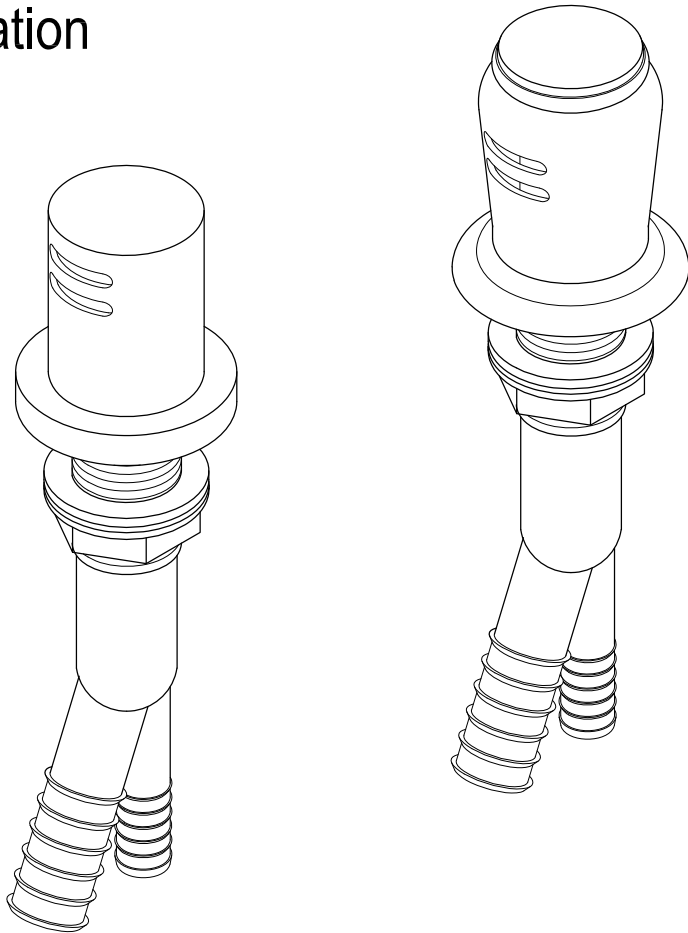


# KINGSTON

KITCHEN & BATH

## Air Gap Installation



www.kingstonbrass.com  
TOLL-FREE CUSTOMER SERVICE: 1-877-2-KBRASS  
TECHNICAL SUPPORT E-mail: service@kingstonbrass.com  
12775 Reservoir Street, Chino, CA 91710

### NOTICE

Failure to follow all directions may cause leaks  
which may result in water damage

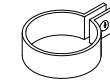
### ⚠ DANGER

Hazardous voltage (120v).  
Contact may cause electrical shock and injury.  
Disconnect power before servicing  
This equipment is to be serviced by trained  
personnel only

## TOOLS REQUIRED

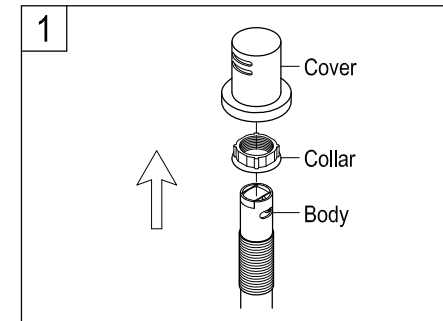


Screwdriver

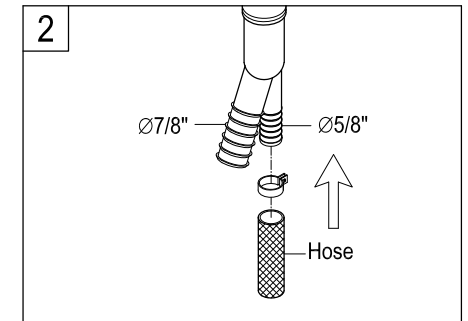


Hose Clamp

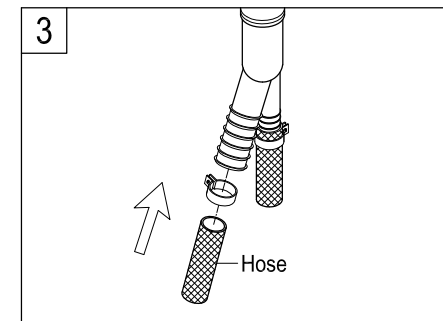
## INSTALLATION INSTRUCTIONS



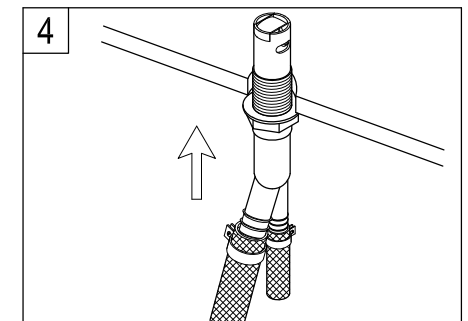
1. Remove cover and collar from body.



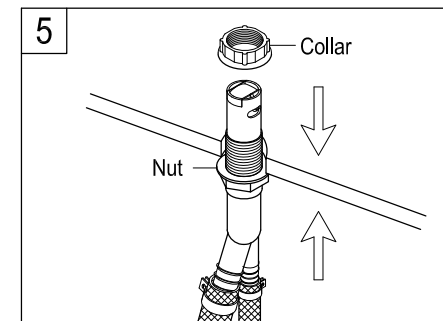
2. Attach 5/8" dishwasher drain hose to 5/8" leg. Secure with hose clamp.



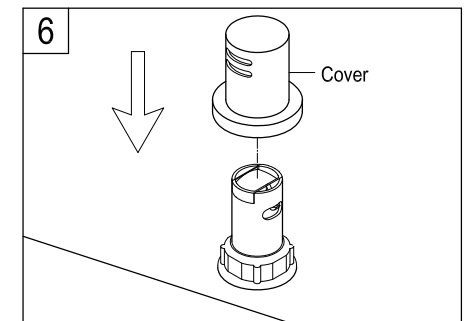
3. Attach 7/8" garbage disposal hose or side inlet sink trap drain hose to 7/8" leg. Secure with hose clamp.



4. Air gap should appear above sink rim surface. Push body through mounting hole.



5. Tighten the nut and collar.



6. Place cover over the body collar.