

KINGSTON

KITCHEN & BATH

INSTALLATION INSTRUCTIONS

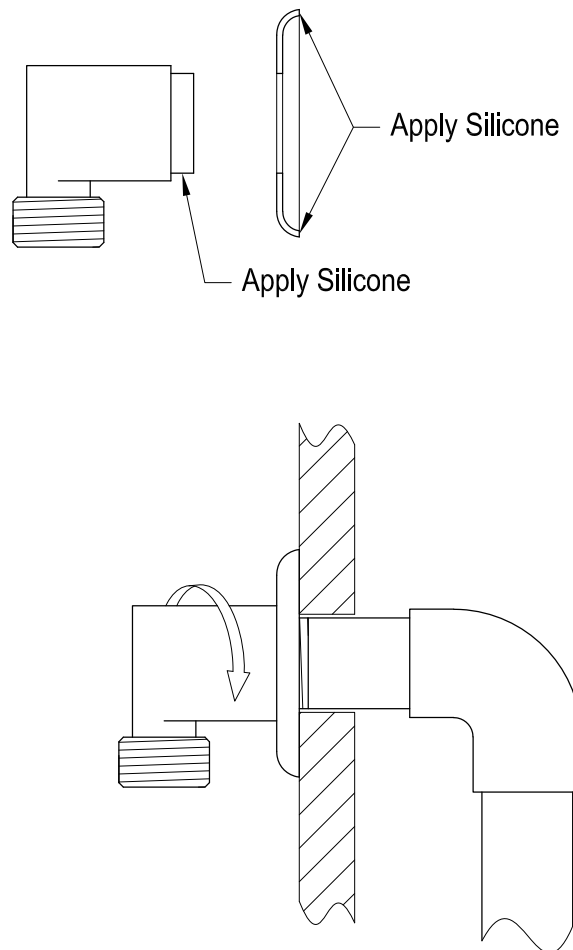
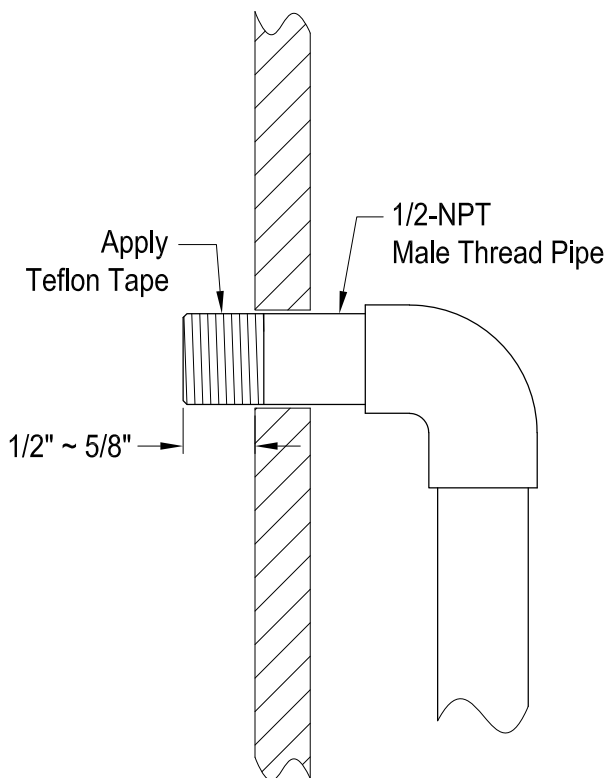
Shower Supply Elbow

Instructions:

1. At the desired location, drill a hole $\text{Ø}7/8"$ on the wall.
2. Install 1/2-NPT male thread pipe protruding from the wall 1/2" to 5/8".
3. Apply Teflon tape onto the threads.
4. Apply silicone around the neck of shower supply elbow and the back of flange.
5. Insert flange and thread the shower supply elbow onto the 1/2-NPT male thread pipe.

Do Not Over Tighten The Thread Connection.

6. Wipe off excess silicone around the flange.



www.kingstonbrass.com
TOLL-FREE CUSTOMER SERVICE: 1-877-2-KBRASS
TECHNICAL SUPPORT E-mail: service@kingstonbrass.com
12775 Reservoir Street, Chino, CA 91710

NOTICE

Failure to follow all directions may cause leaks which may result in water damage

CAUTION

Failure to follow all installation directions may cause product to detach from the wall and cause serious injury