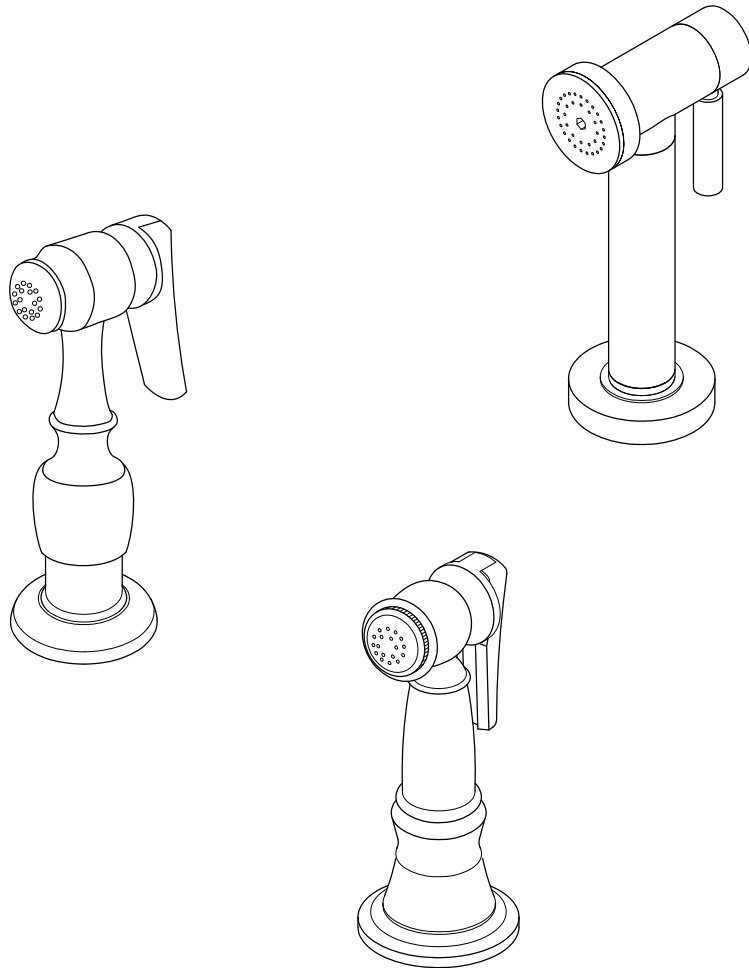


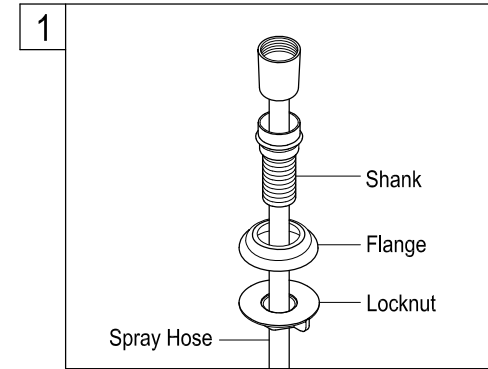
# KINGSTON

KITCHEN & BATH

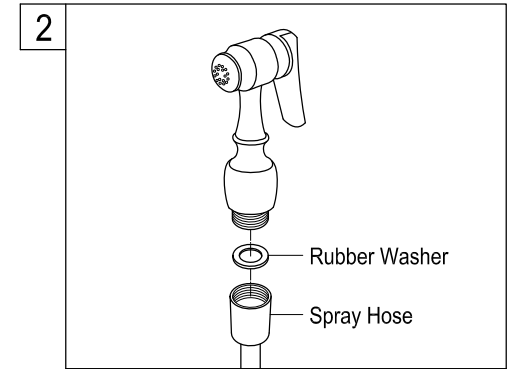
## INSTALLATION INSTRUCTIONS Kitchen Side Sprayer



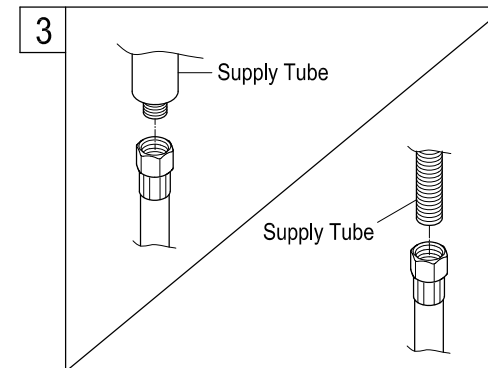
### Installation Step:



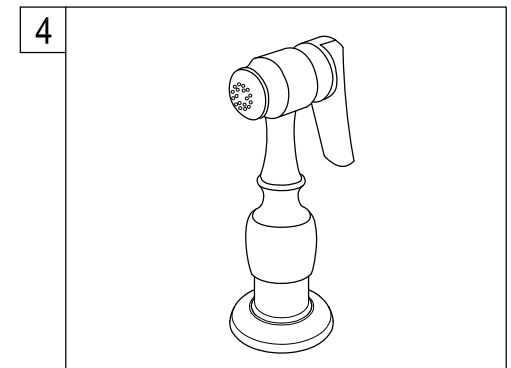
1. For model with spray head and hose, place the spray guide through the fourth hole in the sink, screw the locknut onto the shank and tighten firmly.



2. Place rubber washer to end of spray hose and attach sprayer.



3. Connect spray hose to hose outlet located underneath the faucet.



4. Set sprayer on base and sprayer is ready to use.

## NOTICE

Failure to follow all directions may cause leaks which may result in water damage

www.kingstonbrass.com  
TOLL-FREE CUSTOMER SERVICE: 1-877-2-KBRASS  
TECHNICAL SUPPORT E-mail: service@kingstonbrass.com  
12775 Reservoir Street, Chino, CA 91710

### Fitment and Compatibility Disclaimer :

Kingston Brass, Inc. assumes no liability related to the product use and fitment of this product. Buyers are solely responsible to insure that product use and fitment are consistent with our Kingston Brass, Inc. guidelines. Kingston Brass, Inc. is unable to guarantee the compatibility of its products, including Side-Sprays, with other brands. This product is intended for use as a replacement or update part to the appropriate Kingston Brass side spray-compatible kitchen faucet. This item should never be installed directly to a supply line, stop valve or any other continuously flowing/pressurized source.

## Side Sprayer Aerator Cleaning Tips

An insufficient flow of water is usually the result of blockage. The most common cause for blockage is not just kitchen faucets but sprayers also is the build-up of mineral deposits which is collected in the supply hose, the shutoff valve, the faucet valve, or the aerator. For the side sprayer most of the time the blockage comes from the aerator. There is a possibility that the build-up can occur in the hose as well.

To clean the aerator:

1. Remove the spray head by hand or wrench (if needed) and check to see if there are any debris. Clean as needed.



2. Clean thoroughly. This should remove all debris that may be in the spray head or in the aerator.

