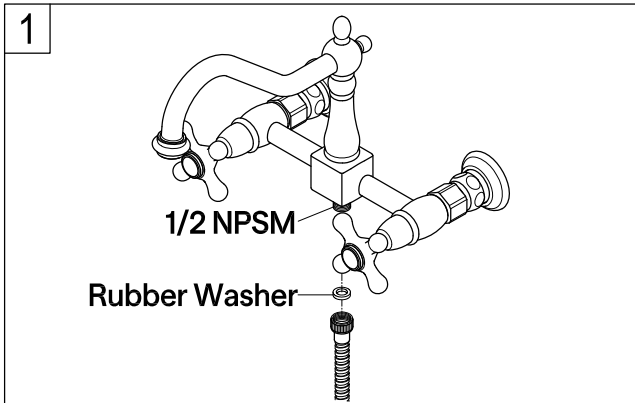
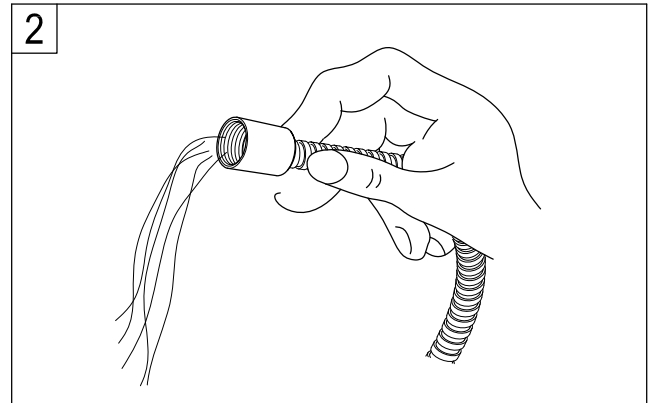


Note: This side sprayer hose is intended to be used on kitchen faucet with 1/2 NPSM male outlet and wall-hung side sprayer.

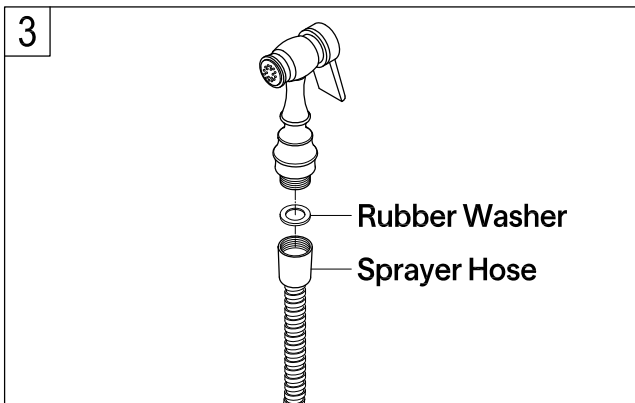
Installation Step:



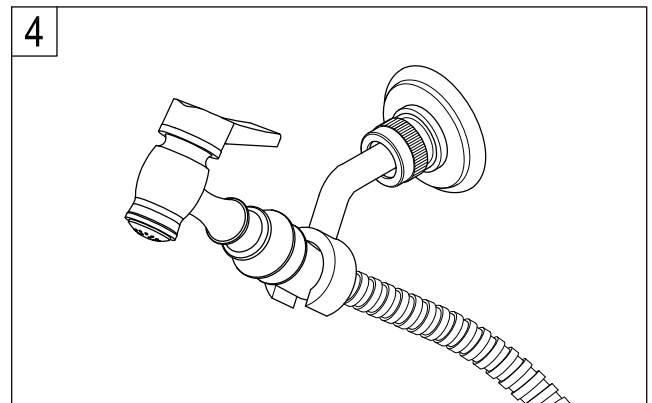
1. Place rubber washer and connect spray hose to hose outlet located underneath the faucet.



2. Open water to flush the sprayer hose before installing with sprayer head.



3. Place rubber washer to end of spray hose and attach sprayer.



4. Set sprayer on the wall-hung hook.

Fitment and Compatibility Disclaimer :

Kingston Brass, Inc. assumes no liability related to the product use and fitment of this product. Buyers are solely responsible to insure that product use and fitment are consistent with our Kingston Brass, Inc. guidelines. Kingston Brass, Inc. is unable to guarantee the compatibility of its products, including Side-Sprays, with other brands. This product is intended for use as a replacement or update part to the appropriate Kingston Brass side spray-compatible kitchen faucet. This item should never be installed directly to a supply line, stop valve or any other continuously flowing/pressurized source.

NOTICE

Failure to follow all directions may cause leaks which may result in water damage

www.kingstonbrass.com

TOLL-FREE CUSTOMER SERVICE: 1-877-2-KBRASS

TECHNICAL SUPPORT E-mail: service@kingstonbrass.com

12775 Reservoir Street, Chino, CA 91710