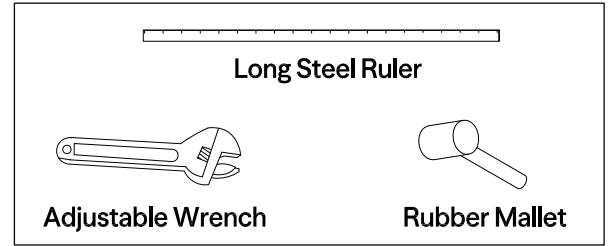


KINGSTON AQUA EDEN

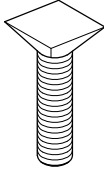
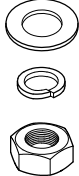
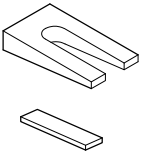
Cast Iron Bath Tub Installation Instructions

Feet Model# : VCTNB

Tool you will need :

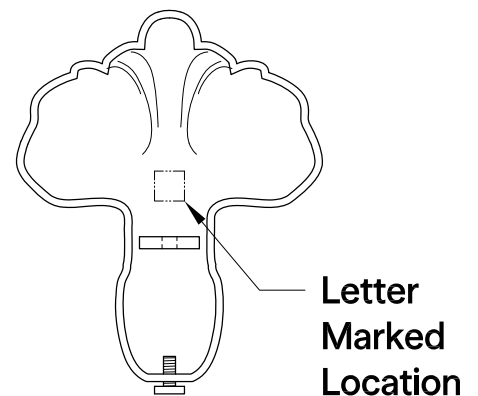
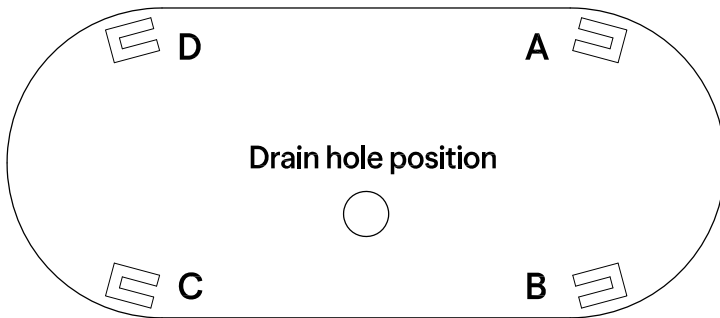
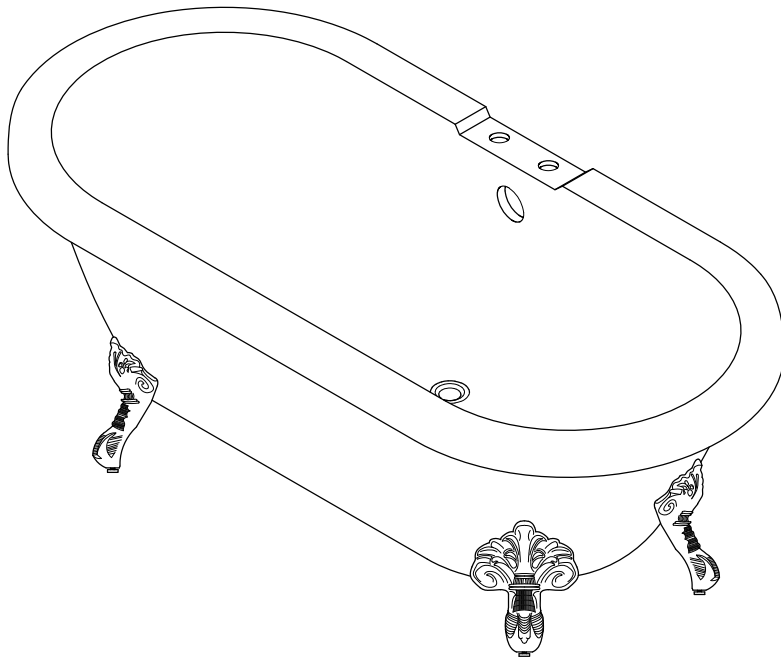


Parts included :

Dovetail Bolt	Flat Washer & Lock Washer & Locknut	Tapered Rubber Shims & Steel Shim
		
4 Pcs	4 Pcs	4 Pcs

Protective material needed :

Blanket or other protective pad



Letters marked beside the lugs on the bottom of tub

A/C & B/D



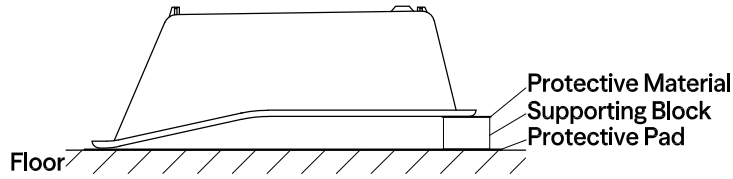
www.kingstonbrass.com

TOLL-FREE CUSTOMER SERVICE: 1-877-2-KBRASS

TECHNICAL SUPPORT E-mail: service@kingstonbrass.com

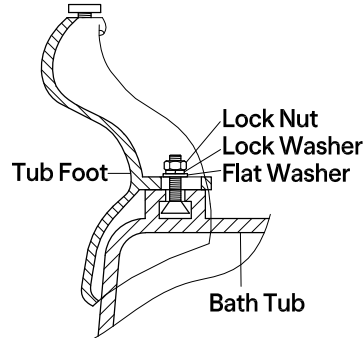
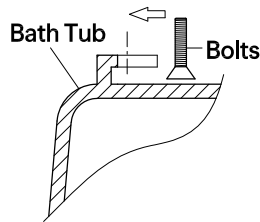
12775 Reservoir Street, Chino, CA 91710

- Before Installation, inspect the tub thoroughly to make sure there is no damage.
- Lay a blanket or other protective pad on floor. If needed, add supporting blocks with protective material to keep tub bottom horizontal.
- Carefully turn the tub upside down and set on the protective pad on the floor so that the bottom of the tub is facing up.
- This tub features a primer coating for enhanced design versatility. If any minor defect (blemish, bubble, stain, blot) found on the bottom of the tub before installing the tub feet, you can fix by using a sandpaper to gently remove the paint on the affected area then apply the finish paint (topcoat) similar to that used for car finishes and allow it to dry for 24 hours before proceeding.
- Tub feet are all marked with letters on inside. Match the letter on the feet with the letter marked on the bottom of the tub.
- In cases where the tub feet are not marked, then those feet can be installed on the lugs that have no letter marking.

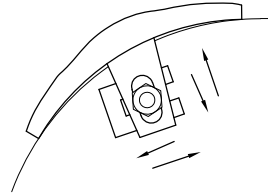
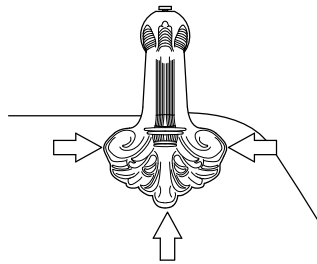


Installation Steps:

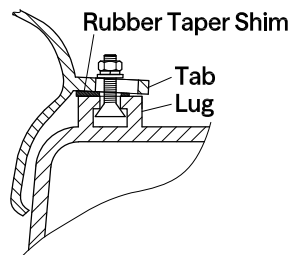
Step 1. Slide a dovetail bolt into the lug, insert tub foot on the corresponding dovetail bolt, insert flat washer and lock washer, thread lock nut but do not tighten at this point.



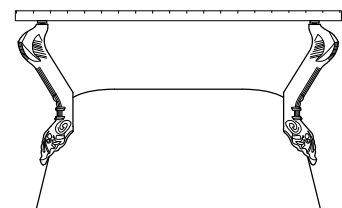
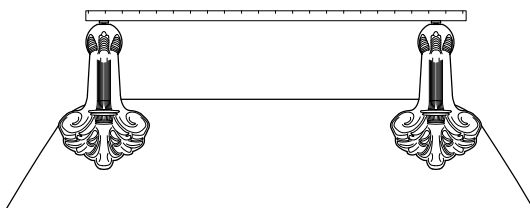
Step 2. Adjust foot for best fit, move the foot to ensure a good contact at all 3 points of the foot, both the tub lug and the tab on the foot have adjustment slots cut to allow horizontal and vertical movement and thus facilitate proper adjustment.



Step 3. If the tab on the foot is not sitting flush on the lug surface, you may insert either the rubber wedge shim or the steel shim to ensure better contact, a small gap will not affect the stability of the tub, tighten lock nut once you are satisfied with the fit of the tub foot.

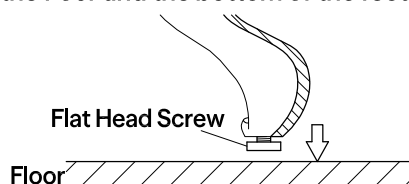


Step 4. Once you have installed all 4 feet, using a long level or a steel ruler, confirm that the tops of the adjusting bolts at the bottom of each foot are perpendicular with the ground, if you notice a slant, you will need to adjust that specific foot, you may do that by repeating steps 1 to 3.

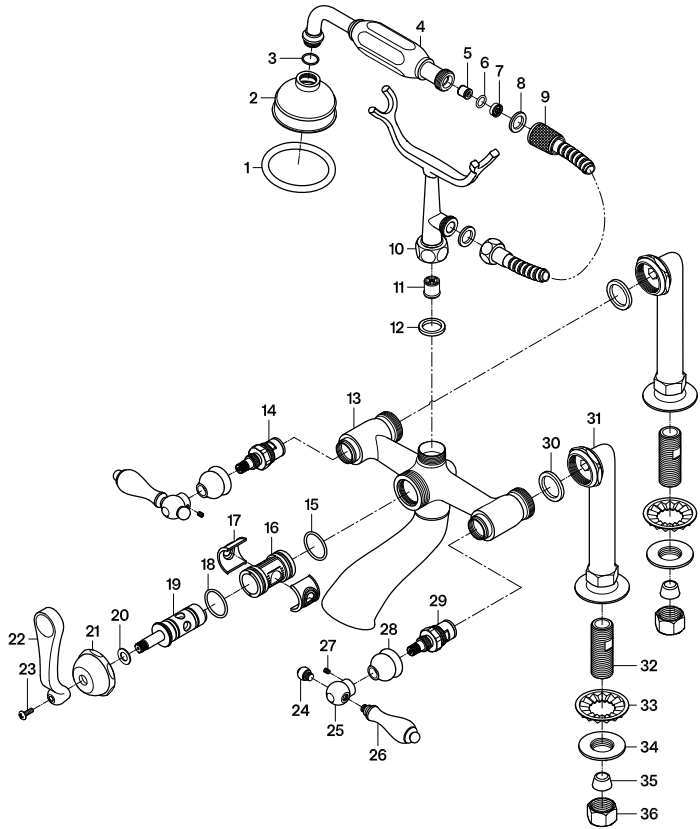


Step 5. After all four feet have been properly installed flip the tub on its feet, make sure to not use the feet to flip the tub.

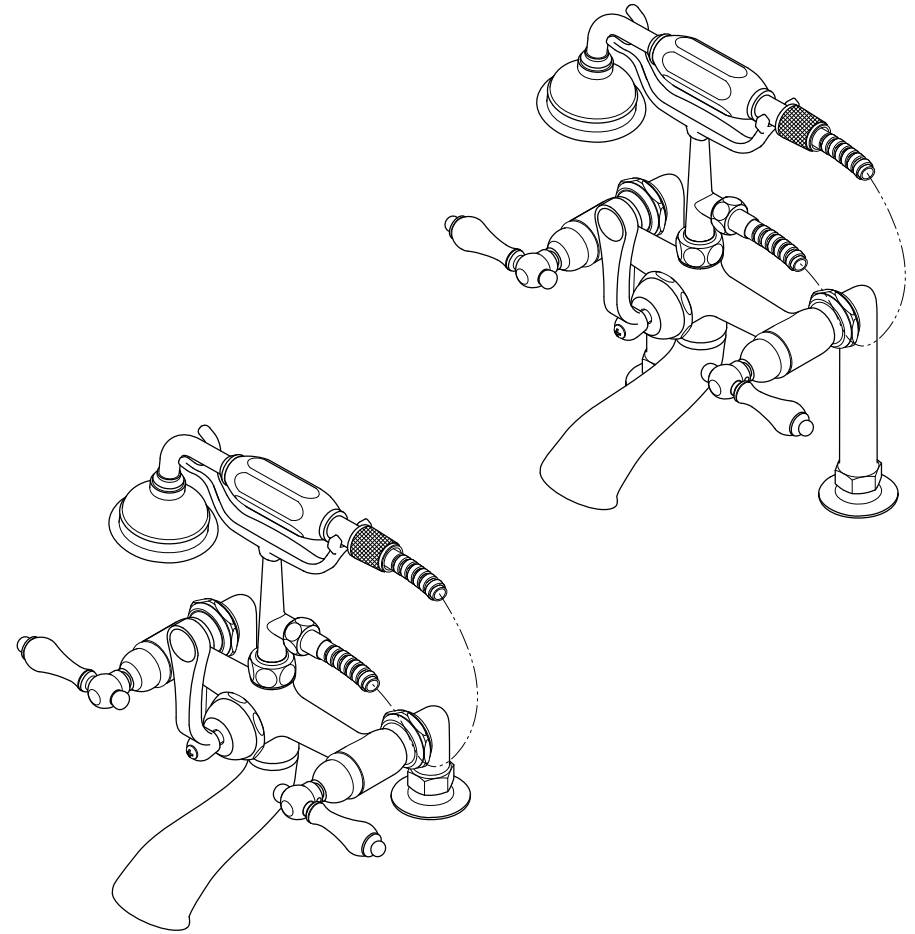
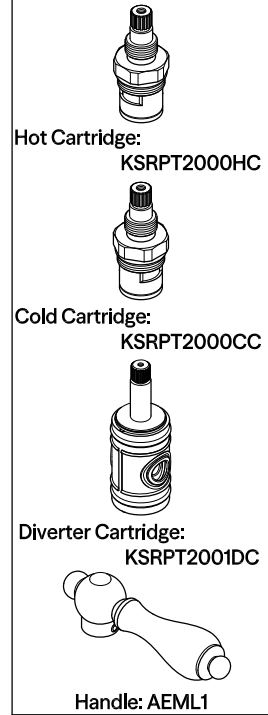
Step 6. Check the tub feet and if there is a gap between the floor and the bottom of the feet adjust by turning the adjustment bolt at the bottom of the feet.



Parts:



Replacement Parts:



CARE AND MAINTENANCE OF YOUR FAUCET

Your KINGSTON faucet has been finished to the most strict standards; however, due to the high content of minerals in the water, your finish may appear dull and tarnished after time. These are some do's and don'ts to maintain the luster on your faucet for many years to come.

DO

1. Use a silicon based caulking when installing.
2. Clean your faucet with only a mild soap and water solution.
3. Dry your faucet after using it.
4. Give it a coat of Carnauba Wax periodically.

DON'T

1. Use plumbers putty when installing the faucet.
2. Use any abrasive cleaning agents.

It may seem like a very simple and short list but it is that simple to maintain your faucet, looking shiny and new.

If your faucet is already looking somewhat dull and tarnished, before replacing it, try cleaning it with a 50/50 solution of vinegar and water, you may need to soak some rags and wrap around those stubborn areas, leave overnight and rinse completely in the morning, apply Carnauba wax once you have removed the mineral deposits.

Parts:

Washer & Lock Nut	Copper Shank
2 Pcs	2 Pcs

www.kingstonbrass.com

TOLL-FREE CUSTOMER SERVICE: 1-877-2-KBRASS
 TECHNICAL SUPPORT E-mail: service@kingstonbrass.com
 12775 Reservoir Street, Chino, CA 91710

NOTICE

Failure to follow all directions may cause leaks which may result in water damage

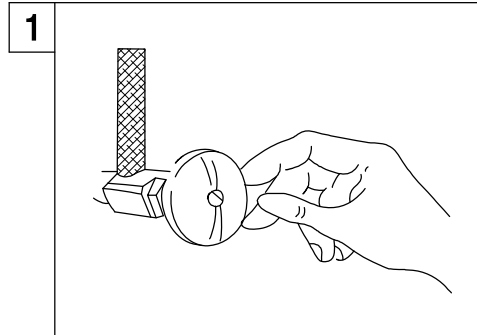


INSTALLATION INSTRUCTIONS

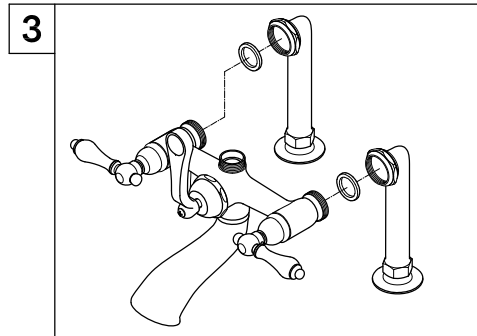
Deck Mount Tub Filler with Hand Shower

BEFORE BEGINNING INSTALLATION:

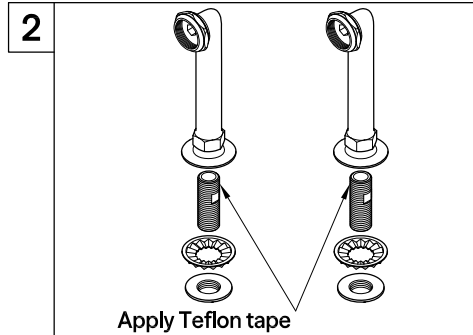
1. Flush plumbing lines to clear any debris.
2. Shut off both supply lines after flushing.



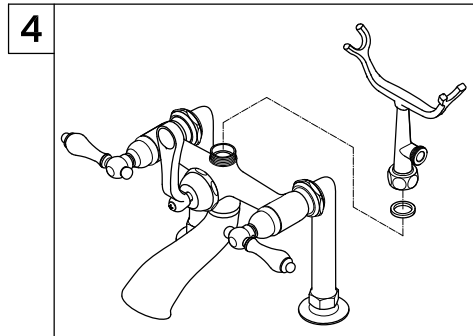
1. Shut off main water supply valve before installation.



3. Before mounting the faucet onto supply risers, apply small black washers onto both water inlets of faucet.

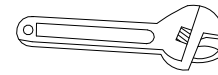


2. Apply Teflon tape on the threads of the copper shank. Install the risers.

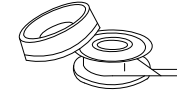


4. Install the shower cradle on top of faucet body.

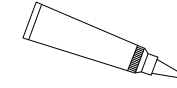
Need Tools:



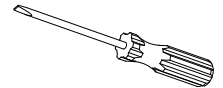
Adjustable Wrench



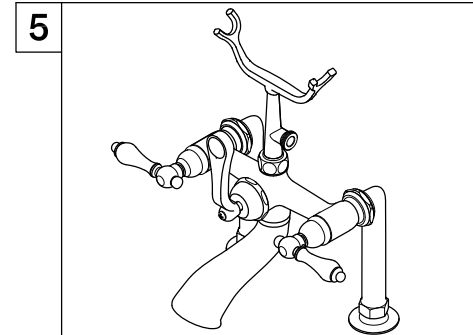
Teflon Tape



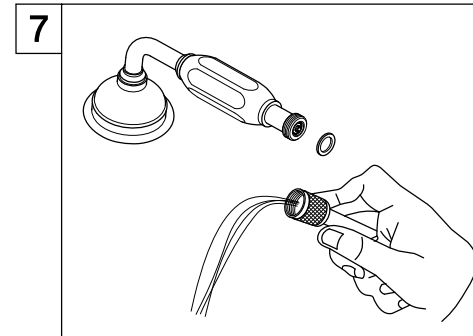
Silicone Sealant



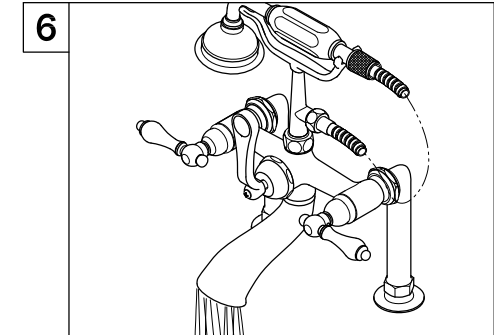
Screwdriver



5. Place a washer between the side hole of the shower cradle and the cone nut of the shower hose. Tighten the cone nut.



7. Remove shower by unscrewing the shower in a counter clockwise direction, turn on both hot and cold valves and let water run for at least one minute, this will clear any debris left in the line.



6. Turn on the faucet, let water run for at least one minute, this will clear any debris left in the line.

Warning!!!

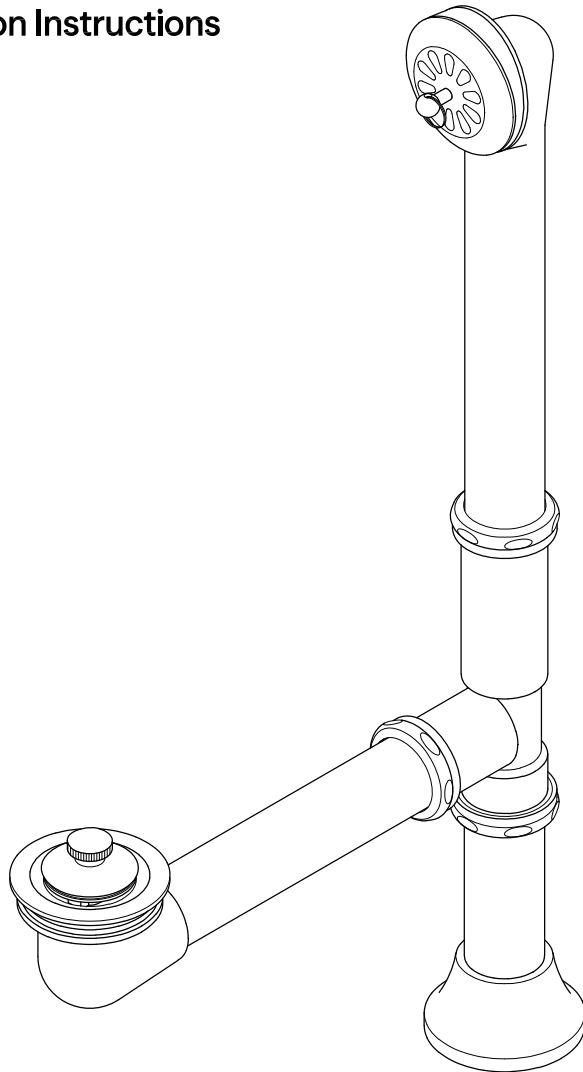
- **DO NOT STEP ON faucet or supply line installation.** This fixture is not a stair to access your storage, window or access higher ceiling. This Cast Brass Faucet cannot support your body weight. To step on faucet will crack the fitting and eventual fracture to cause water damage to your property.
- The faucet was tested and meets ASME/ANSI code on its operation, loading and torque pressure. However this faucet is not designed to support weight over 250 pound per square inch of pressure, **DO NOT OVERTIGHTEN.**
DO NOT APPLY ELECTRICAL TOOL to fasten faucet installation.
- For Exposed tub supply line installation faucet model, your supply lines have to be installed on corner area, or at area with no walking traffic access to cause accidental tamper or accidental breakage. For installation of exposed supply line at open traffic area is prohibited.
- Removal of this tag prior to installation will void your warranty. Pass the WARNING TAG to the owner after installation.

Warning!!!

- Do not over-tighten nut during installation.
- Over-tighten may crack the valve and cause severe leak.



Brass Tub Bath Drain Installation Instructions



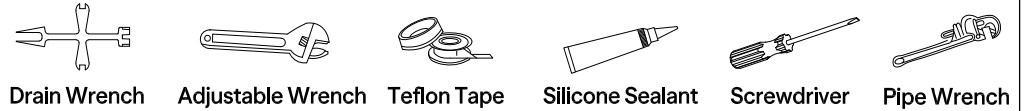
NOTICE

Failure to follow all directions may cause leaks which may result in water damage

www.kingstonbrass.com

TOLL-FREE CUSTOMER SERVICE: 1-877-2-KBRASS
TECHNICAL SUPPORT E-mail: service@kingstonbrass.com
12775 Reservoir Street, Chino, CA 91710

Tools Required

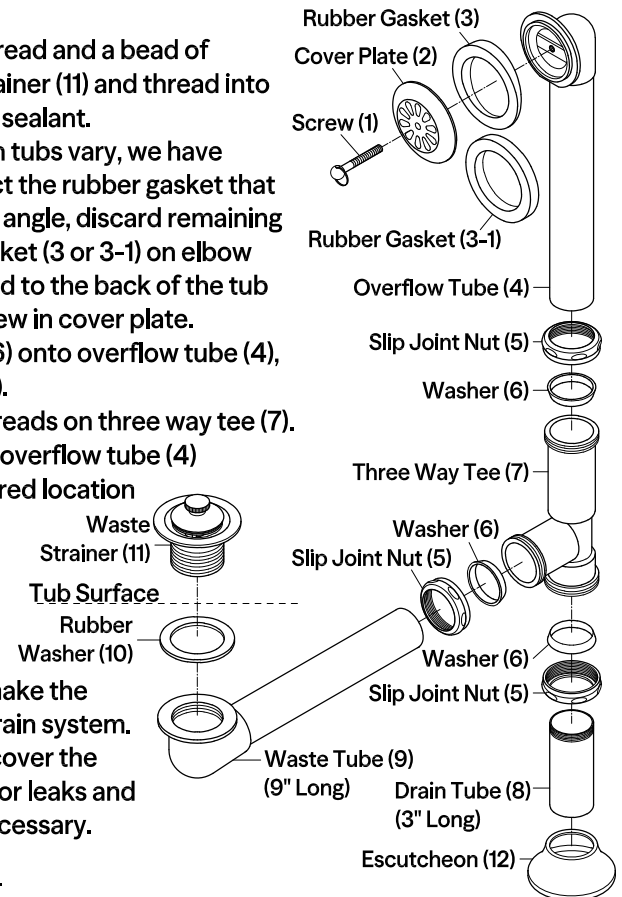


Note:

1. Observe all local plumbing and building codes.
2. Inspect waste and supply tubing; replace if necessary.
3. If you are installing a new bath, install the drain before installing the bath. Refer to the manufacturer's installation instructions.
4. The brass tube on (4) or (9) is glued on its elbow and can be trimmed to fit the tub. Don't try to disassemble the brass tube from elbow, or it will cause water leakage.
5. One additional rubber washer (10) is provided for use, refer to step 1.

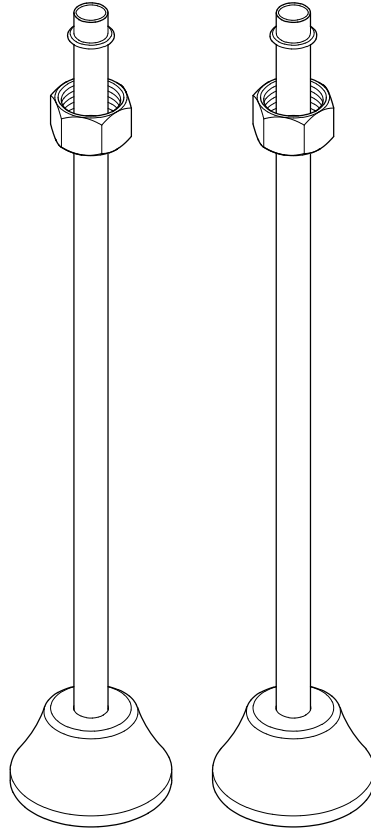
Installation Instructions:

1. Place one piece of rubber washer (10) onto waste tube (9) and set them under the tub. If the tub bottom is thinner, you may need to install 2 pcs of rubber washers (10) under the tub for water sealing.
2. Apply Teflon tape on strainer thread and a bead of silicone sealant under waste strainer (11) and thread into waste tube (9). Wipe off excess sealant.
3. Because the back slope angle on tubs vary, we have included 2 gaskets for you, select the rubber gasket that more closely matches your tubs angle, discard remaining rubber gasket. Place rubber gasket (3 or 3-1) on elbow portion of the overflow tube, hold to the back of the tub at the overflow opening and screw in cover plate.
4. Slip joint nuts (5) and Washers (6) onto overflow tube (4), waste tube (9) and drain tube (8).
5. Apply Teflon tape to all three threads on three way tee (7).
6. Slip tee onto the waste tube (9), overflow tube (4) and drain tube (8), adjust to desired location and tighten slip joint nuts. Depending on the size of your tub it may be necessary to cut any or both tubes.
7. Thread on drain tube (8) and onto the escutcheon (12), make the necessary connection to your drain system.
8. Fill tub with water, sufficient to cover the overflow cover plate (2), check for leaks and retighten any connections as necessary.

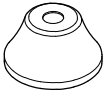
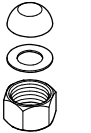
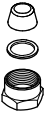




Straight Bath Supply Installation Instructions



Parts:

Escutcheon	Cone Washer & Coupling Nut & Friction Ring (3/4-14 NPS)	Cone Washer & Coupling Nut & Friction Ring (1/2-14 NPS)
		
2 Pcs	2 Pcs	4 Pcs

www.kingstonbrass.com

TOLL-FREE CUSTOMER SERVICE: 1-877-2-KBRASS
TECHNICAL SUPPORT E-mail: service@kingstonbrass.com
12775 Reservoir Street, Chino, CA 91710

NOTICE

Failure to follow all directions may cause leaks which may result in water damage

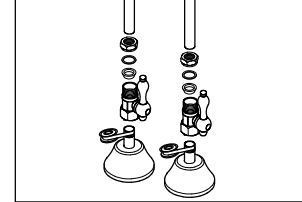
Before starting the installation :

Straight supply lines are designed to be installed on tubs that are configured for deck mount faucets, and should be installed at the same center to center distance as that of the tub faucet holes, the supply lines should be installed in a plumb vertical position, before starting the installation we recommend:

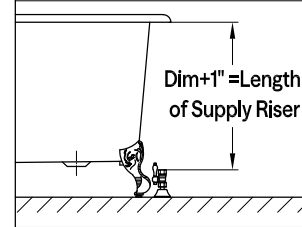
- That you have the supply lines and faucet at the jobsite prior to preparing the rough-in water supply.
- Decide if you are going to add shut-off stops to your supply lines, and if so, have them on-site.

Installation Steps:

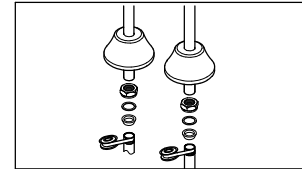
If you are using shut-off stops: 1. Place the tub at the desired location and install the faucet on the tub, using the supply lines mark the location where the supply pipe rough-ins should be located, the supply lines are designed to be installed in a vertical plumb position, make sure the rough-in water supply pipes are well secured to impede any movement that would pull on the connection to the supply lines.



2. Rough in the supply pipe to accommodate either the shut-off stops or the supply line.
3. If you are using shut-off stops, make sure that the outlets on the shut-off stops are designed for a 1/2" compression outlet, you will also need to add a flange that will accommodate the diameter of the pipe that you are using as a supply rough-in, install flange and shut-off stop, measure the distance between the top of the shut-off valve and the bottom of the faucet shanks and add 1", cut supply line on the appropriate dimension.



If you are not using shut-off stops:



4. If you are not using shut-off stops, measure from the bottom of the faucet shanks to the fitting on your supply line rough-in in and add 1", cut supply line at the appropriate dimension, this will allow enough space so that the supply line is inserted sufficiently into your fitting and does not pull on the supply line as this may cause leaking.
5. Slide the friction washer and cone washer and nut onto the supply line, slide in bell flange, 1/2" nut, friction washer and cone washer, apply Teflon tape and thread into your rough-in pipe or shut-off valve.
6. Apply Teflon tape on the faucet shanks and thread the coupling nuts, open the shut-off valves and check for leaks.

Installer: Please pass this label on to homeowner after installation.

Warning!!!

- Make sure that supply lines are installed in a vertical plumb position, failure to do so may pull on the supply lines and cause leaking.
- Reshaping, bending or altering supply line (except for cutting to size) or use of nuts or washers not supplied with this kit will void your warranty.
- It is recommended that the tub be situated in an area where the supply lines are not exposed to foot traffic, bumping into the supply lines may damage them and potentially cause a leak.