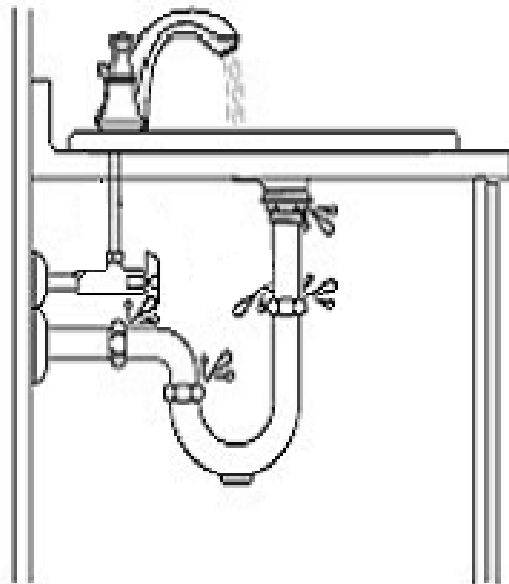
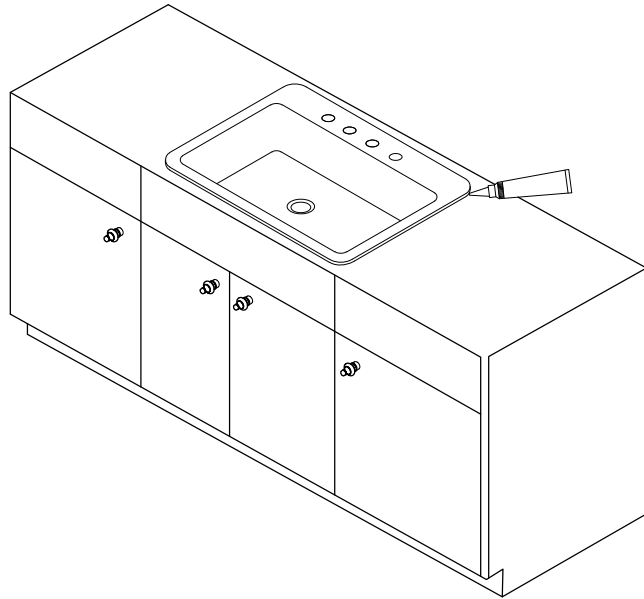


#### STEP 4

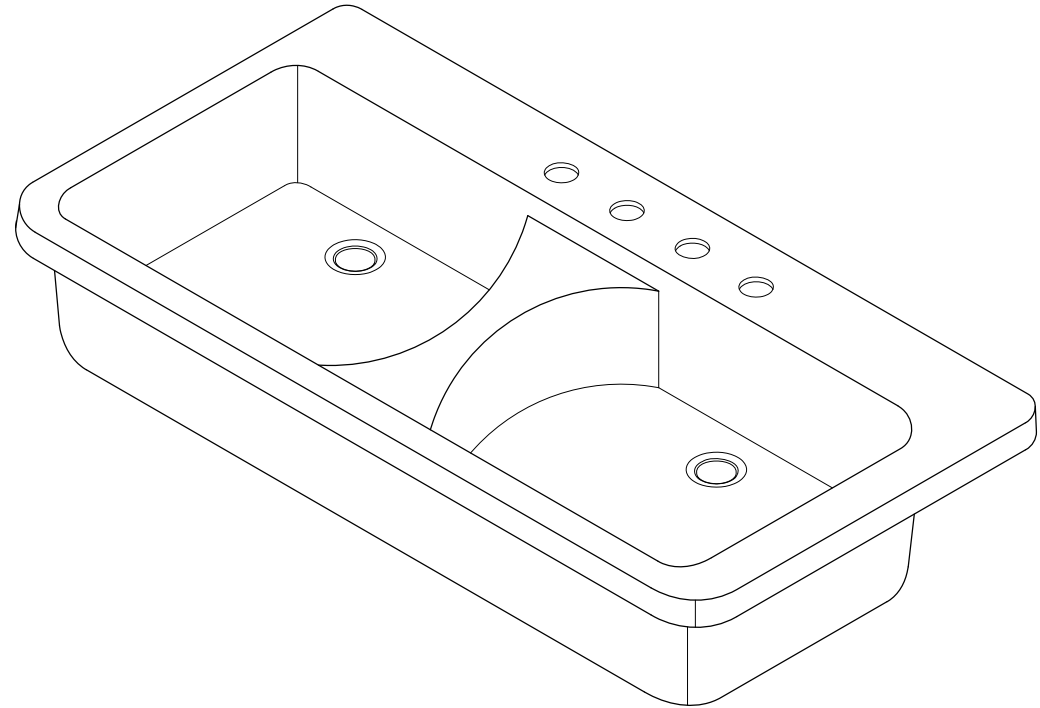
Insert sink into cut-out, check for a proper fit, adjust cut-out if necessary, remove sink.

Apply a thin bead of silicone and set sink at the desired location, complete the installation of the faucet and drain, check for leaks around the drain once the caulking has cured.



# GOURMETIER™

## KINGSTON CREATION



www.kingstonbrass.com  
TOLL-FREE CUSTOMER SERVICE: 1-877-2-KBRASS  
TECHNICAL SUPPORT E-mail: [service@kingstonbrass.com](mailto:service@kingstonbrass.com)  
12775 Reservoir Street, Chino, CA 91710

### NOTICE

Failure to follow all directions may cause leaks  
which may result in water damage



**WARNING**

**Lifting hazard.**

Single person lift could  
cause injury.  
Use assistance when  
moving or lifting.

# GOURMETIER™

## KINGSTON CREATION

### INSTALLATION INSTRUCTIONS SELF-RIMMING KITCHEN SINK

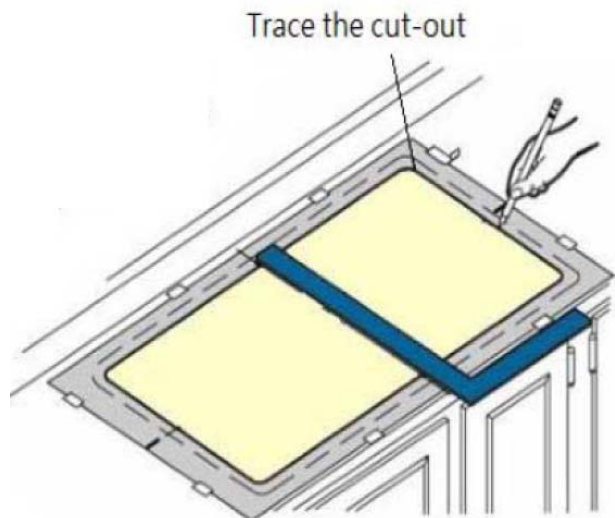
These instructions are for installing Kingston Brass Cast Iron Kitchen sinks.

#### Note:

- It is recommended that all countertops be cut and installed by an approved or certified professional.
- Thoroughly inspect the product and all materials for any damage prior to installation. Do not install a damaged or defective unit.
- Responsibility with observing all local plumbing and building codes lies with the consumer.
- Warranty will be voided if the product has not been installed and maintained in accordance with all written instructions accompanying the product.
- This sink was designed to be installed as a self-rimming sink.

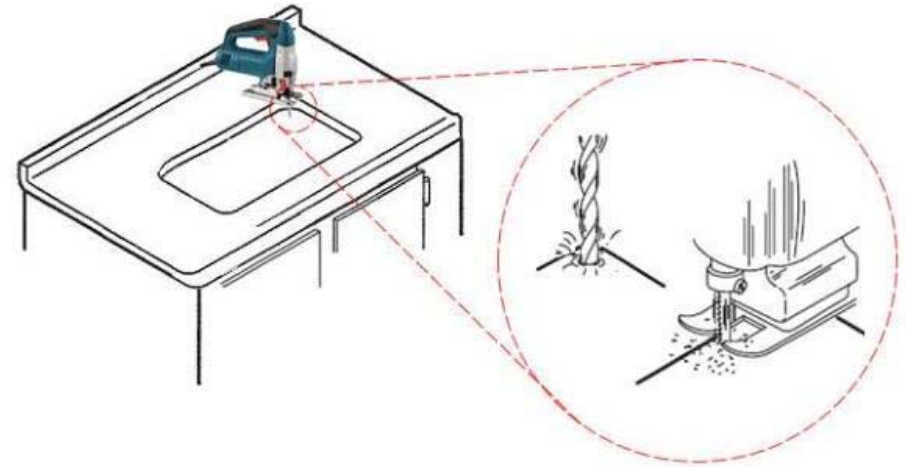
#### STEP 1

Attach the faucet and strainer to the sink before installing.  
Place enclosed template at the desired location on the countertop,  
mark the perimeter.



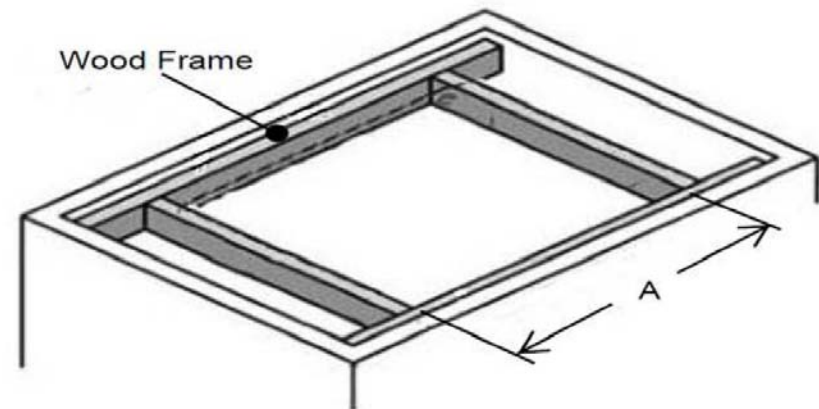
#### STEP 2

Drill pilot holes and cut-out the countertop.



#### STEP 3

Depending on the material used for the countertop it might be necessary to  
add a support structure made of 2" x 4" or larger lumber around the perimeter  
of the sink



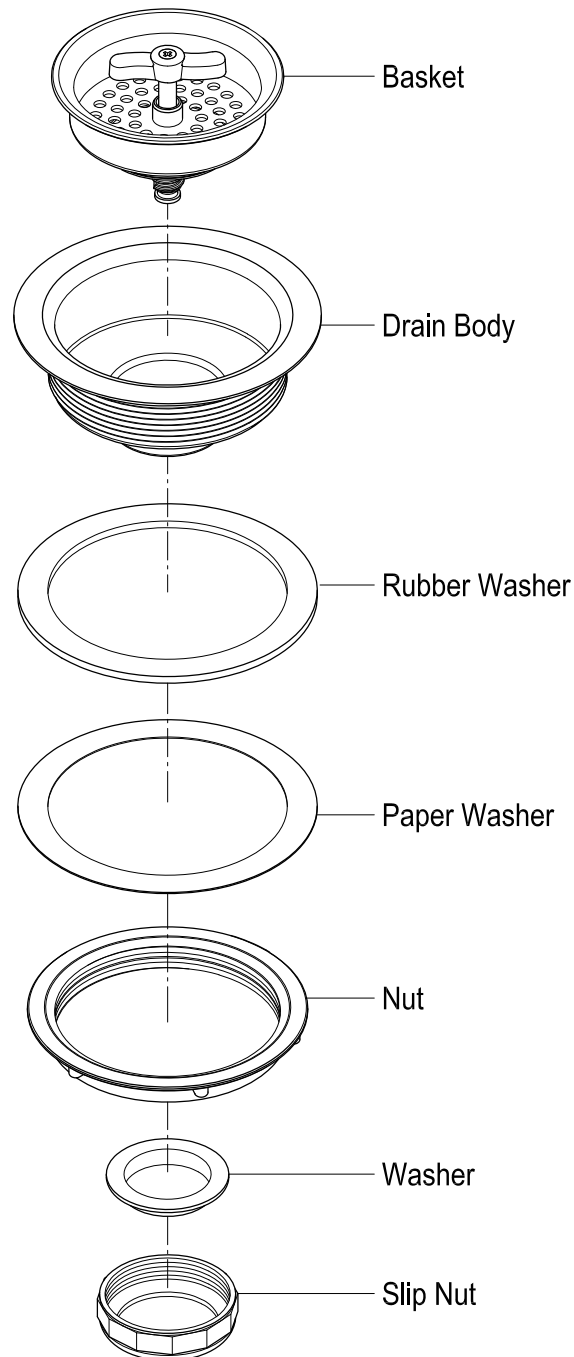
# KINGSTON

KITCHEN & BATH

## INSTALLATION INSTRUCTIONS

### Basket Strainer

NOTE: USE TEFLON TAPE ON ALL THREADED CONNECTIONS



## NOTICE

Failure to follow all directions may cause leaks  
which may result in water damage

[www.kingstonbrass.com](http://www.kingstonbrass.com)  
TOLL-FREE CUSTOMER SERVICE: 1-877-2-KBRASS  
TECHNICAL SUPPORT E-mail: [service@kingstonbrass.com](mailto:service@kingstonbrass.com)  
12775 Reservoir Street, Chino, CA 91710