

STEP 1

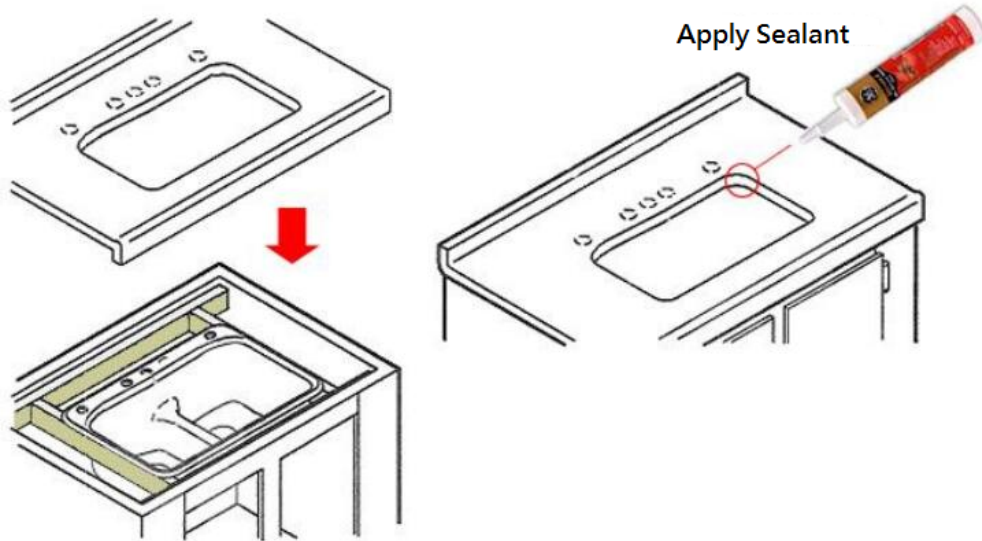
Carefully measure the thickness of the sink at the lip and build a support structure using 2" x 4" or larger lumber and secure to the inside of the cabinet so that the top of the support structure can accommodate the thickness of the sink under the counter.

STEP 2

Add a thin bead of silicone on the top surface of the wood support structure and place sink on top, it may be necessary to shim it to obtain a tight gap between the sink and the counter.

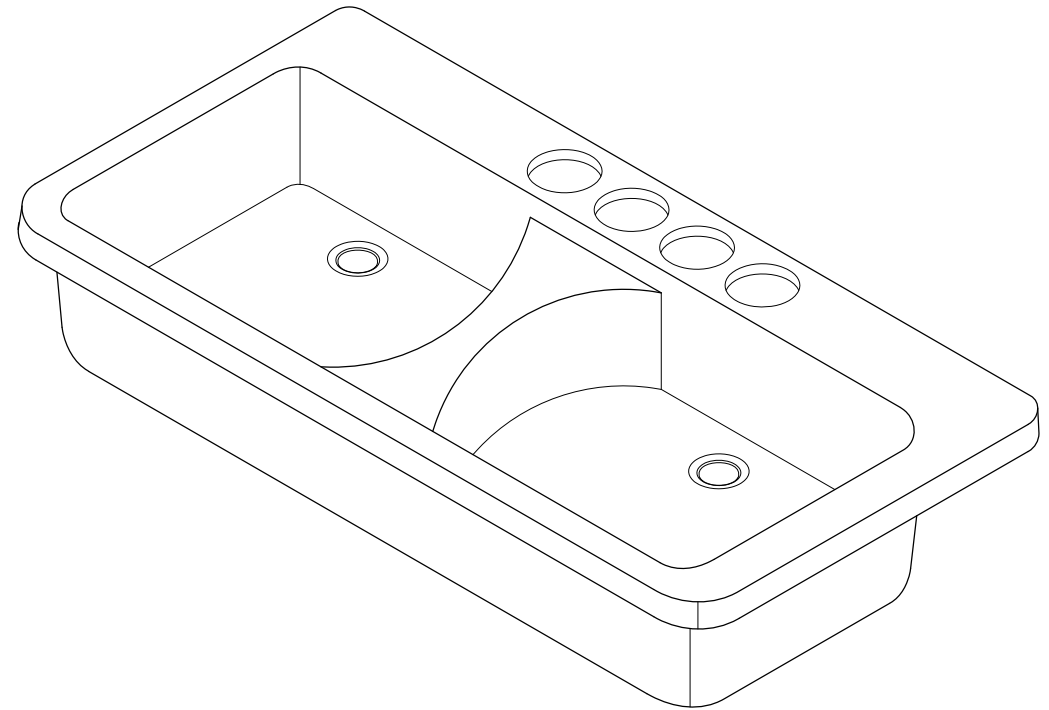
STEP 3

After Counter has been installed seal the gap between the sink and the counter with adhesive caulking.



GOURMETIER™

KINGSTON CREATION



GOURMETIER™

KINGSTON CREATION

INSTALLATION INSTRUCTIONS UNDERMOUNT KITCHEN SINK

These instructions are for installing Kingston Brass Cast Iron Kitchen sinks.

Note:

- It is recommended that all countertops be cut and installed by an approved or certified professional.
- Thoroughly inspect the product and all materials for any damage prior to installation. Do not install a damaged or defective unit.
- Responsibility with observing all local plumbing and building codes lies with the consumer.
- Warranty will be voided if the product has not been installed and maintained in accordance with all written instructions accompanying the product.
- This sink was designed to be installed as an undercounter sink.
- There are 2 options that you may use to mount this sink; box includes 2 support rails with all the necessary hardware to use them as a support for your sink, the second system of installation will be using 2" x 4" or larger lumber.

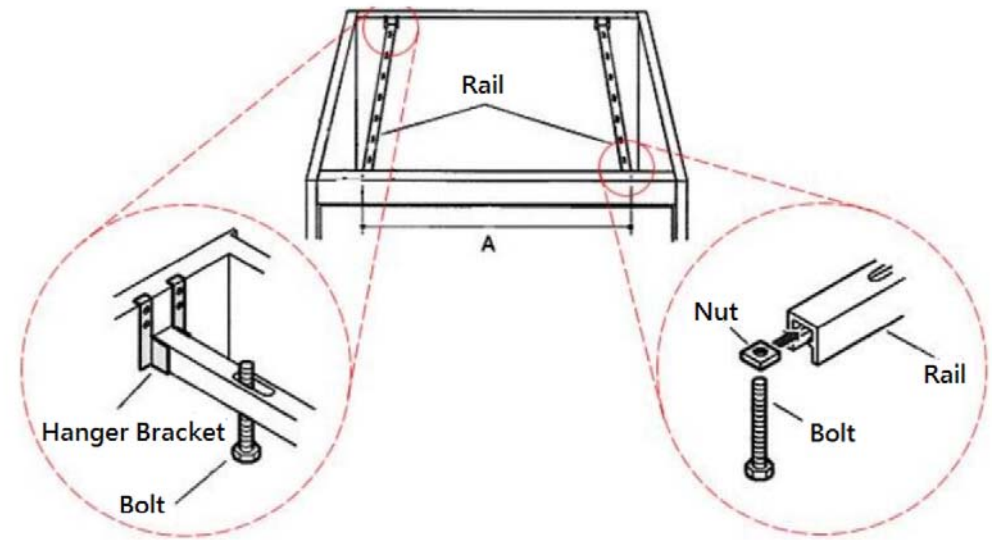
Option A :

STEP 1

Slide nuts on U-Channel and line up with slots on top of U-Channel and thread screws until the screws project from the top of the U-channel, insert rubber bumpers on top of the screws.

STEP 2

Measure width of sink and securely attach the hanger brackets so the U-Channel supports will sit parallel at a distance just inside the outer edges of the sink and insert the U-Channel support into the hanger brackets.



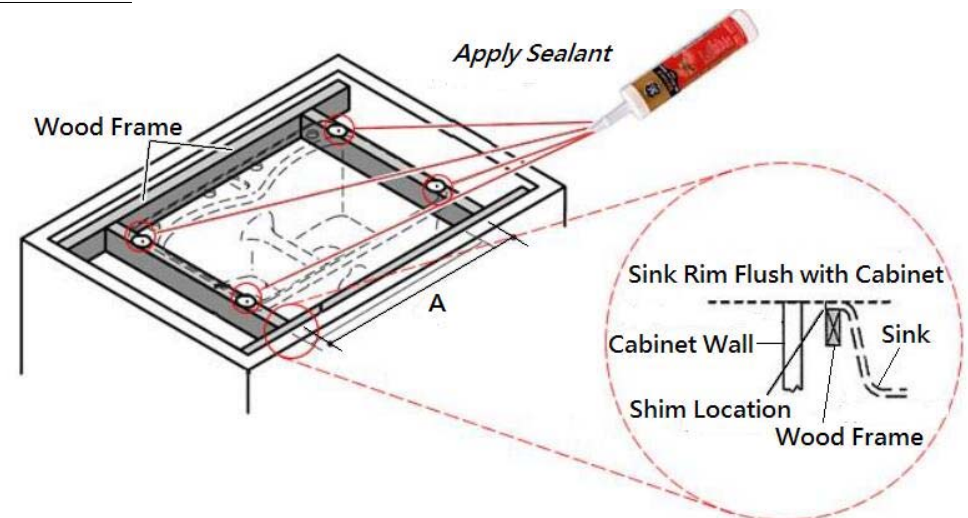
STEP 3

Place sink on top of the U-channel supports, adjust height by tightening or loosening the screws on the U-Channel supports.

STEP 4

After Counter has been installed seal the gap between the sink and the counter with adhesive caulking.

Option B:



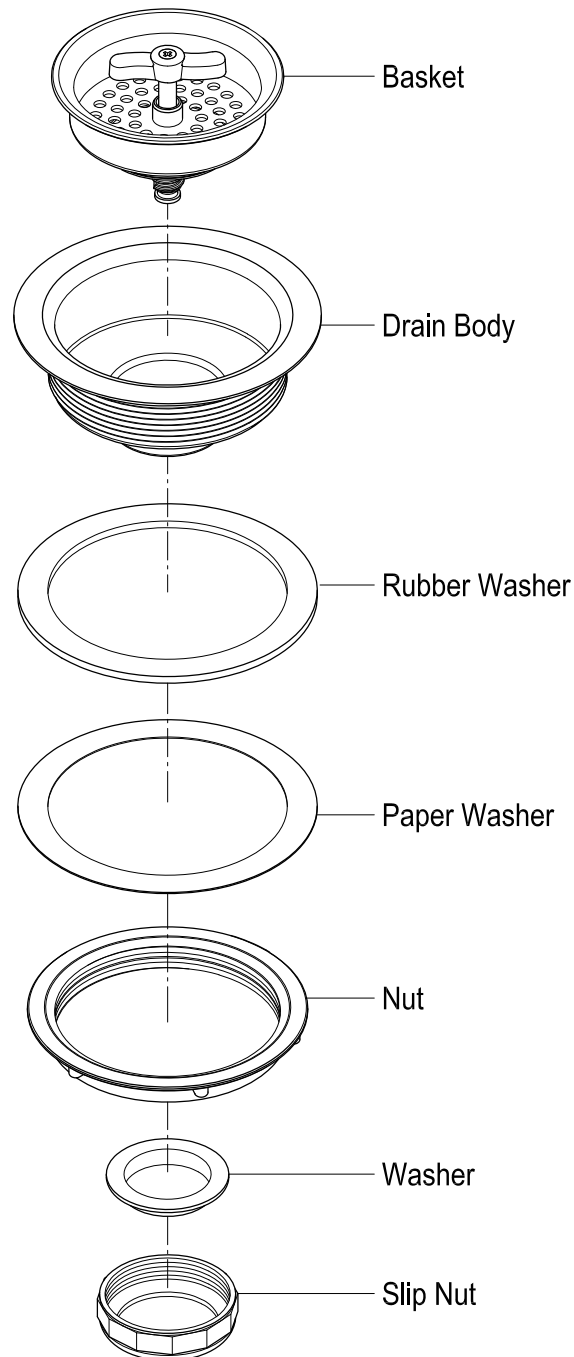
KINGSTON

KITCHEN & BATH

INSTALLATION INSTRUCTIONS

Basket Strainer

NOTE: USE TEFLON TAPE ON ALL THREADED CONNECTIONS



NOTICE

Failure to follow all directions may cause leaks
which may result in water damage

www.kingstonbrass.com
TOLL-FREE CUSTOMER SERVICE: 1-877-2-KBRASS
TECHNICAL SUPPORT E-mail: service@kingstonbrass.com
12775 Reservoir Street, Chino, CA 91710