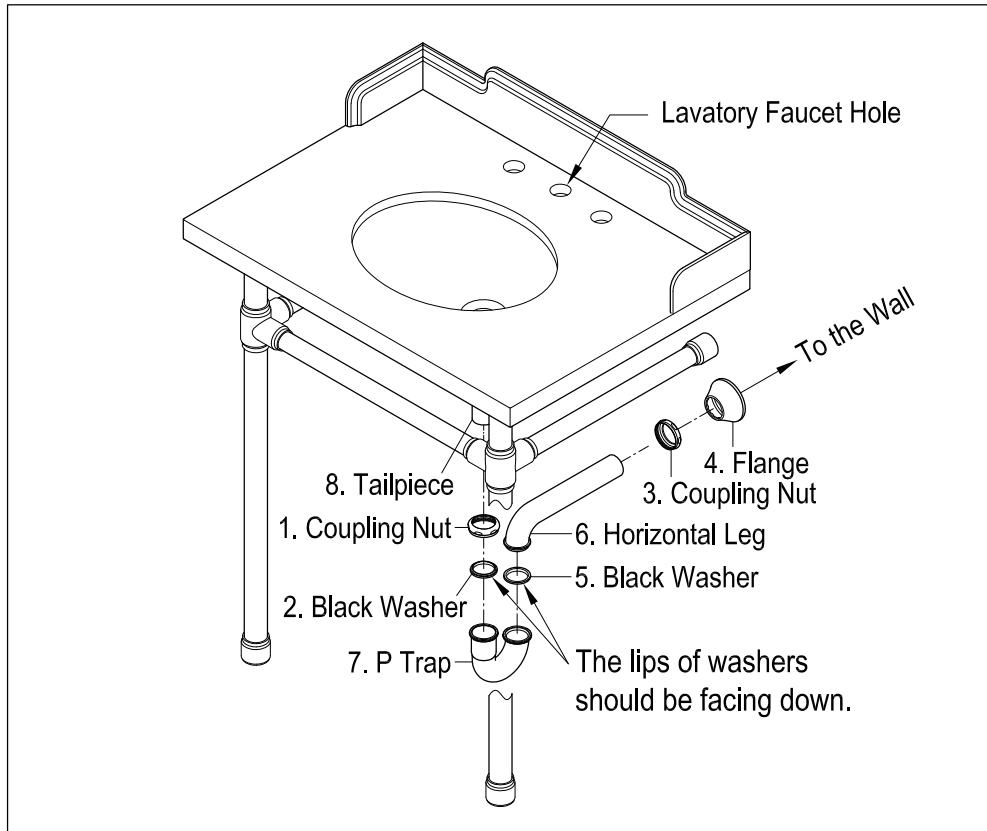
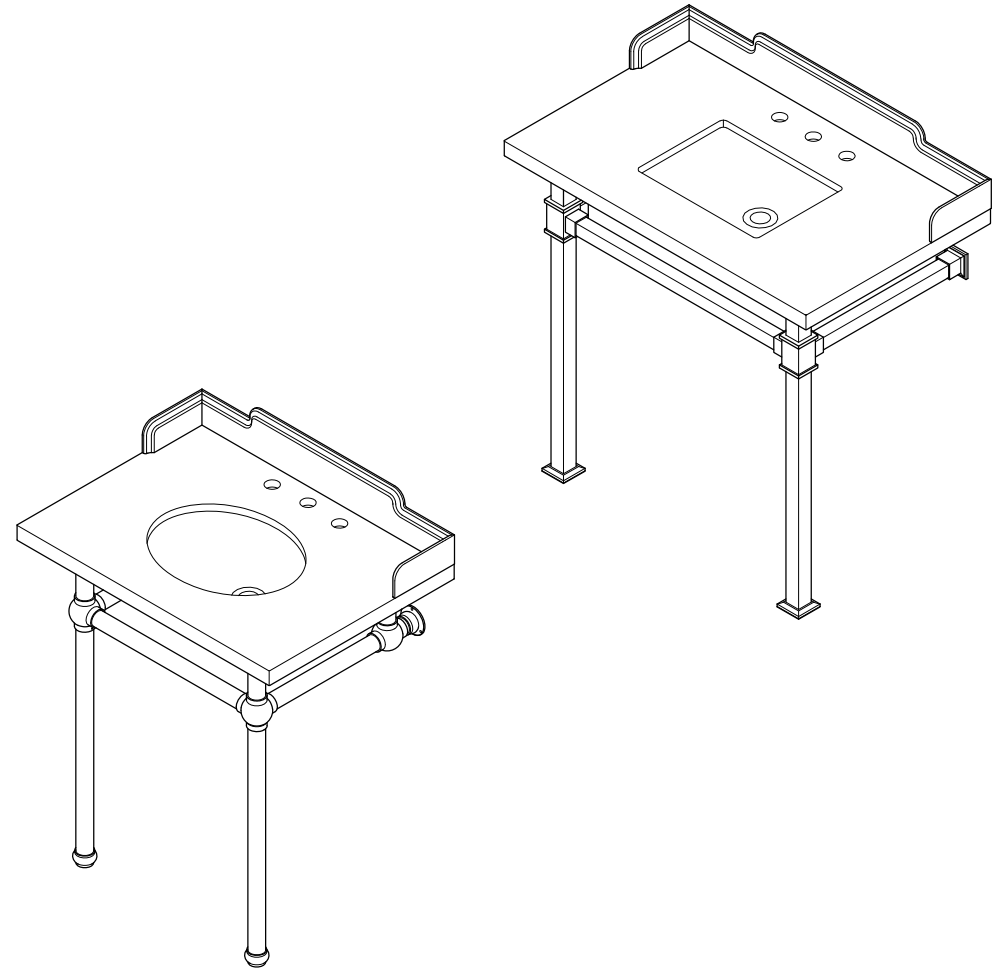


P-Trap Installation:



1. Insert horizontal leg (6) into wall drain stub-out.
2. Remove coupling nut (1) and black washer (2) from the P-trap (7).
3. Insert coupling nut (1) and black washer (2) onto the tailpiece (8), make sure the lip of washer is facing down.
4. Attach P-trap to the tailpiece (8). Slowly and carefully move the black washer (2) down to touch the inlet of P-trap (7) by hand. Then tighten up the coupling nut (1).
5. Align P-trap (7) with horizontal leg (6) and tailpiece (8), at this point it may be necessary to cut part of tailpiece (8) or part of horizontal leg (6) to obtain proper alignment.
6. Check if all components are properly tightened.
7. Run water. If leaks appears and tightening doesn't correct it, loosen coupling nuts (1) or (3), check black washers (2) and (5) are properly installed. Retighten coupling nuts (1) or (3).

FAUCETURE



CAUTION

Failure to follow all installation directions may cause product to detach from the wall and cause serious injury

NOTICE

Failure to follow all directions may cause leaks which may result in water damage

www.kingstonbrass.com
TOLL-FREE CUSTOMER SERVICE: 1-877-2-KBRASS
TECHNICAL SUPPORT E-mail: service@kingstonbrass.com
12775 Reservoir Street, Chino, CA 91710



WARNING

Lifting hazard.

Single person lift could cause injury.
Use assistance when moving or lifting.

FAUCETURE

INSTALLATION INSTRUCTIONS

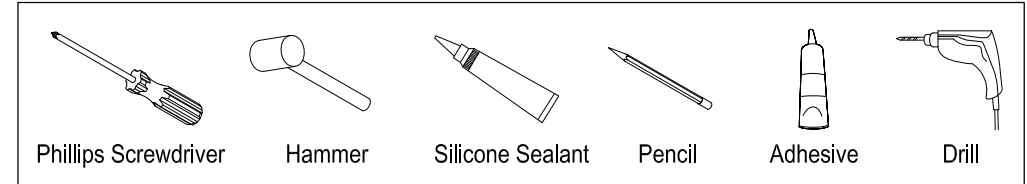
CONSOLE SINK

Granite/Marble Care & Maintenance

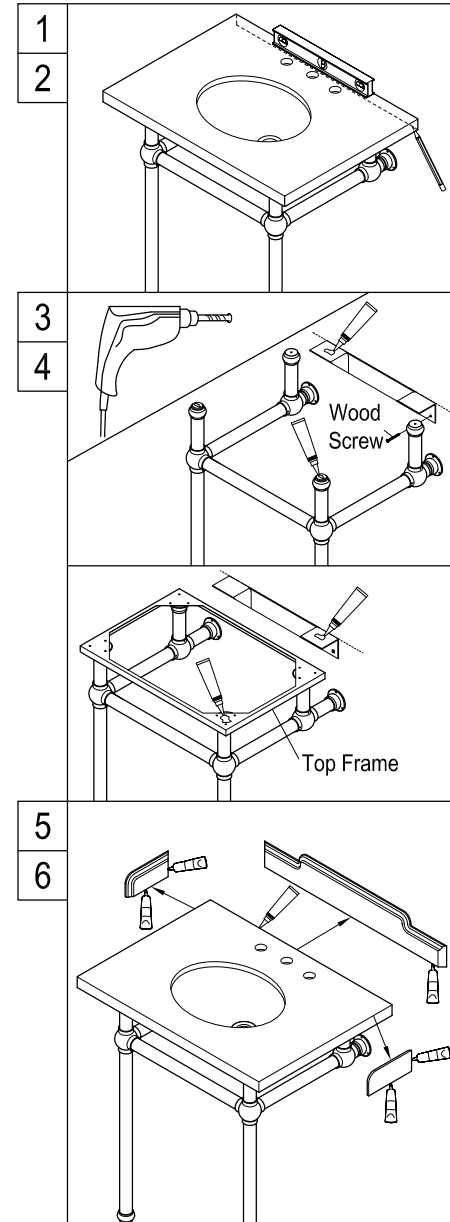
Your new granite/marble vessel top has been factory sealed and polished to a smooth glass finish. In order to maintain the surface and keep it looking fresh and natural, we recommend the following procedures:

1. All stone products require a resealing at least once a year. Since your top has already been sealed at the factory. You will need to schedule your top for resealing accordingly.
2. Before applying the sealer, the exposed areas should be completely clean and dry.
3. For routine maintenance and cleaning, we recommend Stone Care's "Clean Encounters." The cleaner should be used weekly and more frequently with heavier than usual use or for cleaning of chemicals, such as those commonly found in the bathroom. Be sure to follow the instructions on the container.
4. To keep your granite/marble vessel top hygienically clean, we recommend Stone Care's "Counteriffic" on a weekly basis. This spray disinfectant will kill all types of bacteria and is FDA and EPA approved for food handling surfaces.
5. Liquid spills, such as alcohol, medications, etc should be cleaned up promptly. Some liquids with high-acid content can etch granite/marble surfaces if left for any length of time. Popular products that should be promptly cleaned up are: shaving cream, toothpaste, perfume, cologne, nail polish remover, hair coloring and perm products, shampoo, drain opener, and toilet bowl cleaner.
6. Place protective pads on the bottoms of any heavy objects, such as pottery, appliances, or other objects that may scratch the granite/marble surface.
7. Avoid abrasive cleaners or rough cleaning pads. If necessary, a soft buffing pad can be used.
8. Use coasters under drinking glasses to prevent glass rings on the surface.
9. Do not stand on the granite/marble top to fix overhead lights or other items

Need Tools:



Installation Step :



1. With the help of a second person gently place basin on top of pedestal and level.
2. Mark the location of the mounting bracket holes.
3. Remove basin, drive in and tighten up the wood screws at the marked locations to secure the bracket and the pedestal onto the wall.
4. Apply silicone sealant on the top surface of bracket and the tops of the vertical legs.
5. Place your granite/marble top on the vertical legs and the top of bracket, make sure its back edge is completely against wall. Apply silicone sealer along the back edge of granite/marble top.
6. If you plan to use the provided back and side splash, apply a construction adhesive to the bottom and back of the backsplash (and side splashes if required) and push firmly against the wall. Make sure that the wall is clean, dry, smooth, and free of any loose paint or wallpaper before installing back or side splashes.

CAUTION!!!!:

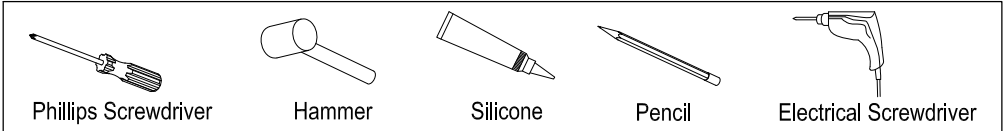
Please make sure the faucet you have selected will not interfere with the backsplash. In some installations, the base of your faucet might be too large in diameter to allow for back splash installation.

FAUCETURE

INSTALLATION INSTRUCTIONS

L Shape Mounting Bracket

Need Tools:

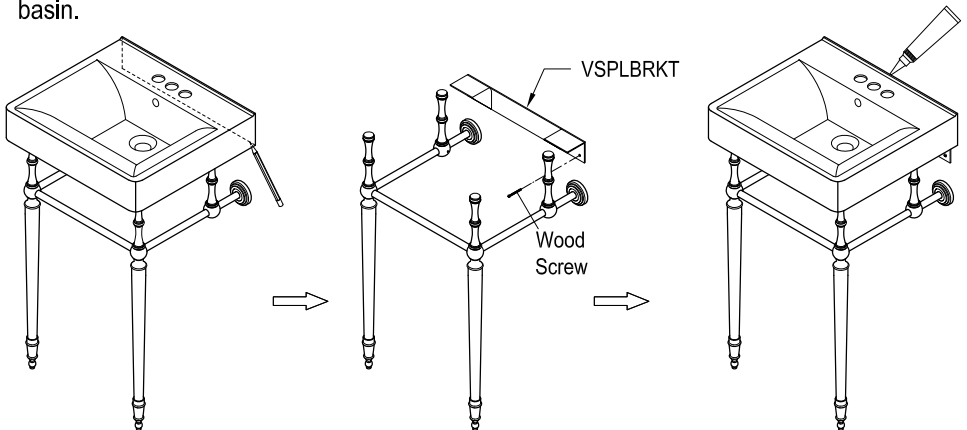


Note:

1. 2" x 6" lumber or larger wood bracing needs to be added to the wood wall structure for the bracket supporting.
2. If the basin is going to be installed on console base which has 4 legs standing on floor, the bracket could be optional.

Installation:

1. Once unit has been assembled place at the desired location.
2. Gently place basin on top of pedestal legs and very carefully place in the location where the pedestal legs will be installed and after leveling draw a line across the bottom of the basin.
3. Remove the basin and use the marked line as a guide to install support brackets at the location of wood bracing.
4. Use the appropriate anchors on places where the bracket is not secured to wood.
5. Fix the bracket onto the wall by tightening up wood screws with a screwdriver.
6. Place basin on top of pedestal legs, apply a bead of silicon around the back perimeter of the basin.



CAUTION

Failure to follow all installation directions may cause product to detach from the wall and cause serious injury

www.kingstonbrass.com
TOLL-FREE CUSTOMER SERVICE: 1-877-2-KBRASS
TECHNICAL SUPPORT E-mail: service@kingstonbrass.com
12775 Reservoir Street, Chino, CA 91710