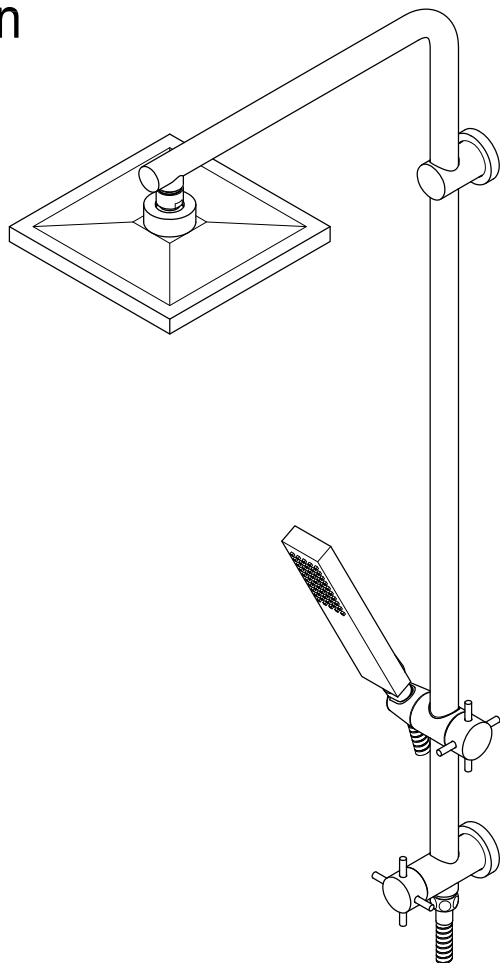


KINGSTON

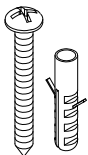
KITCHEN & BATH

Adjustable Slide Bar Installation



Parts:

Mounting Screw
&
Anchor



2 Pcs

www.kingstonbrass.com

TOLL-FREE CUSTOMER SERVICE: 1-877-2-KBRASS

TECHNICAL SUPPORT E-mail: service@kingstonbrass.com

12775 Reservoir Street, Chino, CA 91710

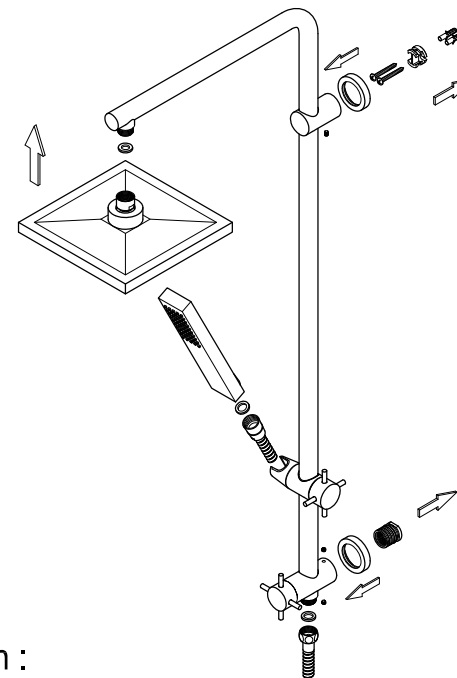
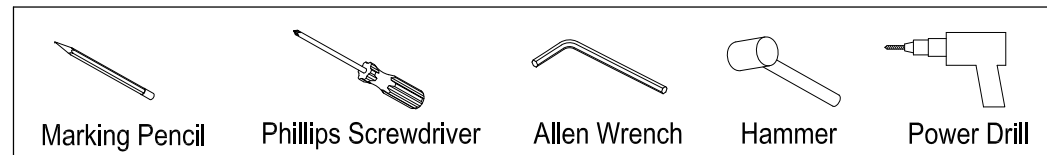
NOTICE

Failure to follow all directions may cause leaks
which may result in water damage

CAUTION

Failure to follow all installation directions may
cause product to detach from the wall and
cause serious injury

Need Tools:



Prior to installation :

- Open box and verify that all components are included in the box.
- Open shower valve to let water run for 30 seconds, this will clear any debris in the lines.

Installation :

1. Rough in a 1/2" NPT copper stub out at 3/4" in length and apply Teflon tape to the threads, the stub out should be located above the shower plate.
2. Using a level, determine the location of the top support bracket, place the top support mounting bracket and mark the location of the holes, drill and install the appropriate anchors, secure mounting plate to the wall using the enclosed screws.
3. Thread inlet adapter onto the 1/2" NPT stub-out, insert flange onto the inlet post and carefully press entire assembly over the inlet adapter, secure by tightening the set screws on the inlet post.
4. Slip top bracket flange over the support bracket post and gently push the support bracket post over the mounting plate, secure by tightening the set screw at the bottom of the post.
5. After applying Teflon, thread shower hose onto the bottom outlet of the bottom inlet post, apply Teflon tape to the hand shower and to the shower arm, thread hand shower onto the shower hose, thread showerhead onto the shower arm.