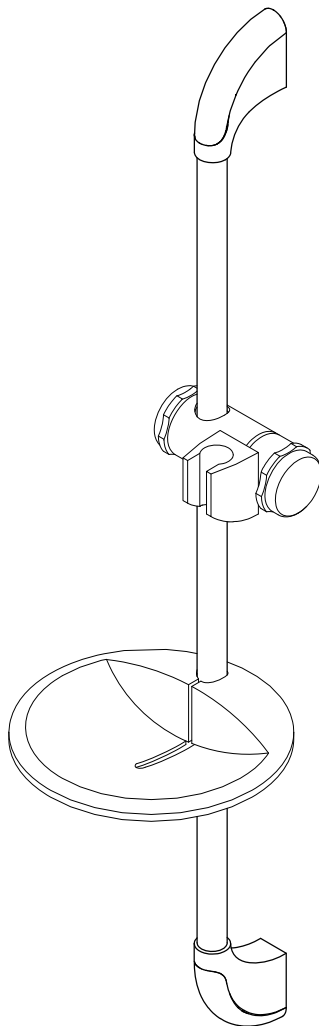


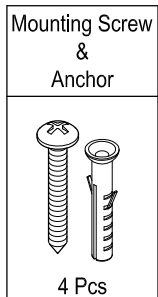
# KINGSTON

KITCHEN & BATH

## Adjustable Slide Bar Installation



### Parts:

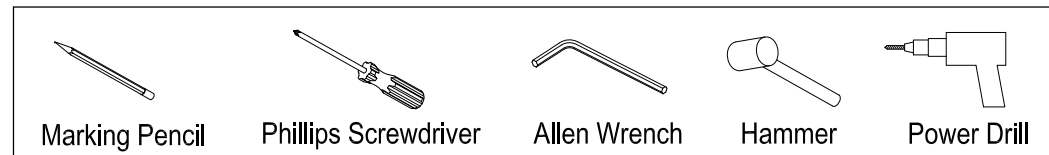


**CAUTION**

Failure to follow all installation directions may cause product to detach from the wall and cause serious injury

www.kingstonbrass.com  
TOLL-FREE CUSTOMER SERVICE: 1-877-2-KBRASS  
TECHNICAL SUPPORT E-mail: service@kingstonbrass.com  
12775 Reservoir Street, Chino, CA 91710

### Need Tools:



### Legal Disclaimer :

This bar is not to be used as a grab bar and it is not intended to support weight. Before you begin, identify the appropriate area to install this slide bar, proper location should be above 48" from the floor (as per ASTM F446).

It is recommended that slide bar to be mounted directly to the structural framing of your home. If necessary, cross bracing can be installed to provide adequate support.

### Installation:

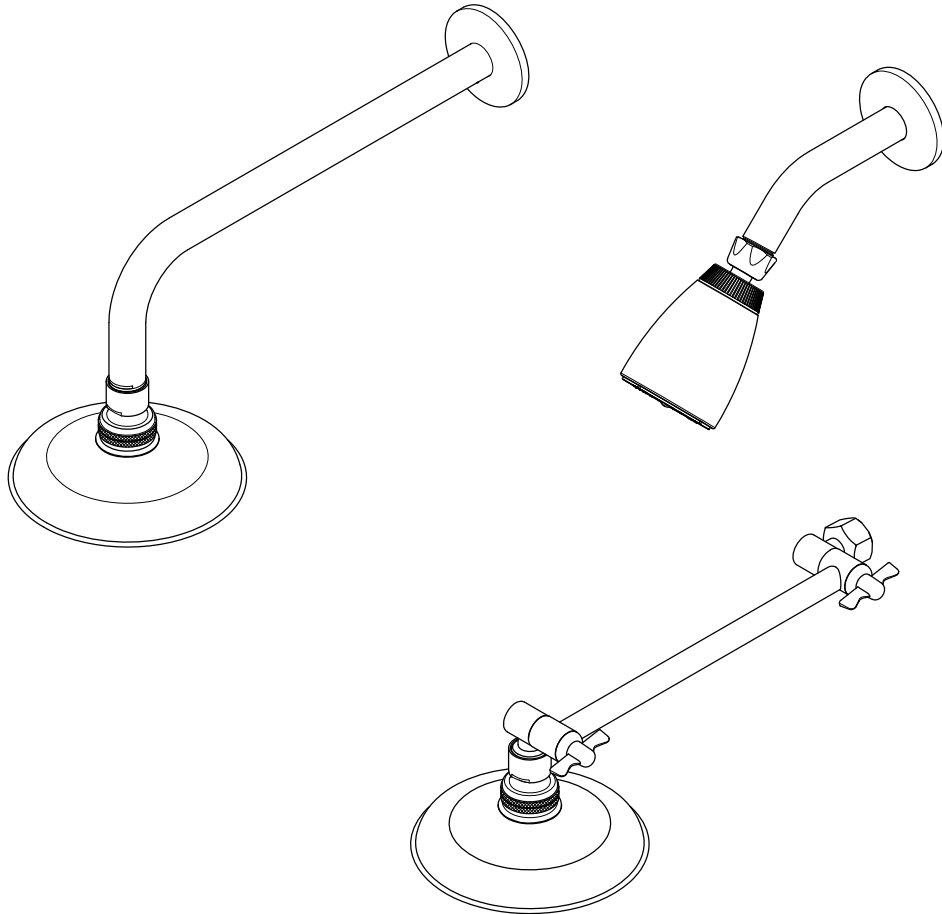
<p>1</p>	<p>1. Assemble slide bar and position at the desired location.</p>	<p>2</p>	<p>2. Mark the position of the mounting screw by inserting a pencil through the center of the end post.</p>
<p>3</p>	<p>3. Remove slide bar and drill a small hole, insert plastic anchor until it is flushed with the surface of the wall.</p>	<p>4</p>	<p>4. Attach slide bar to wall and fasten by threading screw into plastic anchor or wood stud, press cover button into place.</p>

# KINGSTON

KITCHEN & BATH

## INSTALLATION INSTRUCTIONS

### Shower Arm with Shower Head



## NOTICE

Failure to follow all directions may cause leaks  
which may result in water damage

[www.kingstonbrass.com](http://www.kingstonbrass.com)

TOLL-FREE CUSTOMER SERVICE: 1-877-2-KBRASS

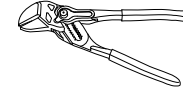
TECHNICAL SUPPORT E-mail: [service@kingstonbrass.com](mailto:service@kingstonbrass.com)

12775 Reservoir Street, Chino, CA 91710

## TOOLS REQUIRED



Adjustable Wrench



Plier



Teflon Tape



Protection Cloth

### Remove the Original Shower Heads and Arm :

1. Unscrew the showerhead from the shower arm by turning it counter-clockwise.
2. Use pliers to remove the shower arm by turning it counter-clockwise.
3. Clean any debris from the inner threads of the stub-out elbow.

### Install the Shower Arm :

1. Wrap 3 or 4 revolutions of Teflon tape clockwise around the threads of the shower arm.
2. Screw the shower arm onto the stub-out elbow and hand-tighten it. Adjust the arm to point downward.
3. Avoid over-tightening, as this can cause damage and leaks.
4. Turn on the water for 1 minute to check for leaks. If leaks occur, loosen and re-tighten the shower arm.
5. Apply a small bead of silicone caulking to the back of the wall flange and press it against the wall.

### **If you are installing a shower arm with female threads.**

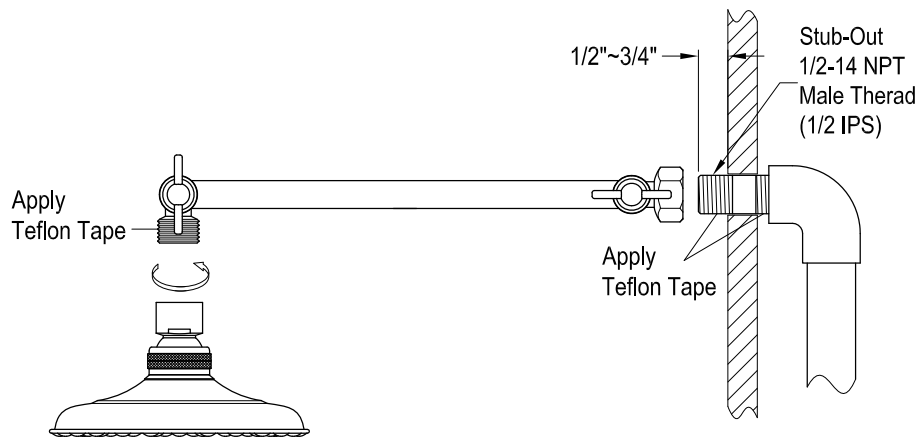
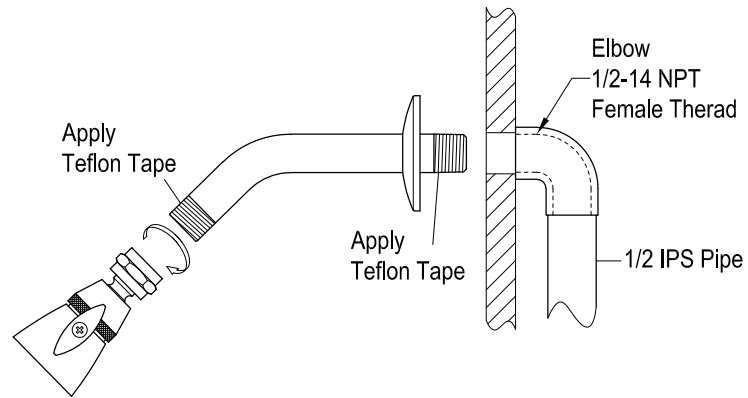
After adding 3 to 4 revolutions of Teflon tape, thread a close nipple on stub-out elbow and then thread shower arm onto nipple.

✧ If leaking persists, it may be necessary to add more Teflon tape on the threads to ensure proper water seal.

## Install the Shower Head :

6. Wrap Teflon tape 3 or 4 times clockwise around the 1/2 NPT male threads of the shower arm. If using a straight thread (1/2 NPSM), Teflon tape is optional, but ensure the shower head's inner thread is also straight and has a rubber washer.
7. Install the new shower head by turning it clockwise slowly and carefully, ensuring a proper connection. Avoid over-tightening, as this can cause damage and leaks.
8. Turn on the water to check for leaks. If leaks are found, loosen and re-tighten the shower head, repeating steps 1 and 2.

※ If leaking persists, it may be necessary to add more Teflon tape on the threads to ensure proper water seal.



# KINGSTON

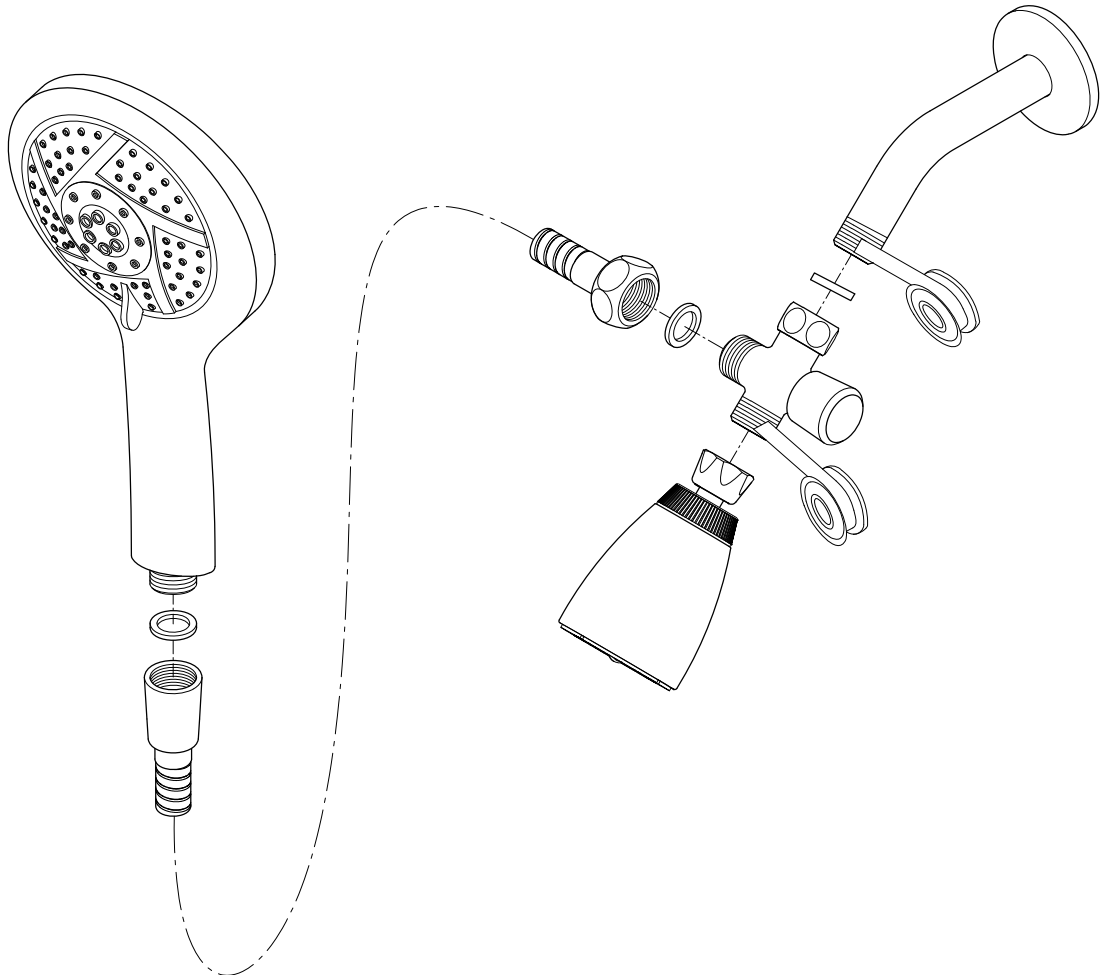
KITCHEN & BATH

## INSTALLATION INSTRUCTIONS

### Shower Arm Diverter

#### Instructions:

1. Remove showerhead, Apply Teflon tape to threads on shower arm as well as the threads on the diverter.
2. After inserting the rubber washer, thread diverter onto showerarm.
3. Thread shower hose onto the bottom outlet on the diverter.
4. Open hot and cold shower valves and let water run for 30 seconds or more from each outlet, this will clear any debris from the line.
5. Thread showerhead to the side outlet.
6. Thread handshower to the end of the hose.



[www.kingstonbrass.com](http://www.kingstonbrass.com)

TOLL-FREE CUSTOMER SERVICE: 1-877-2-KBRASS

TECHNICAL SUPPORT E-mail: [service@kingstonbrass.com](mailto:service@kingstonbrass.com)

12775 Reservoir Street, Chino, CA 91710

## NOTICE

Failure to follow all directions may cause leaks  
which may result in water damage

## CAUTION

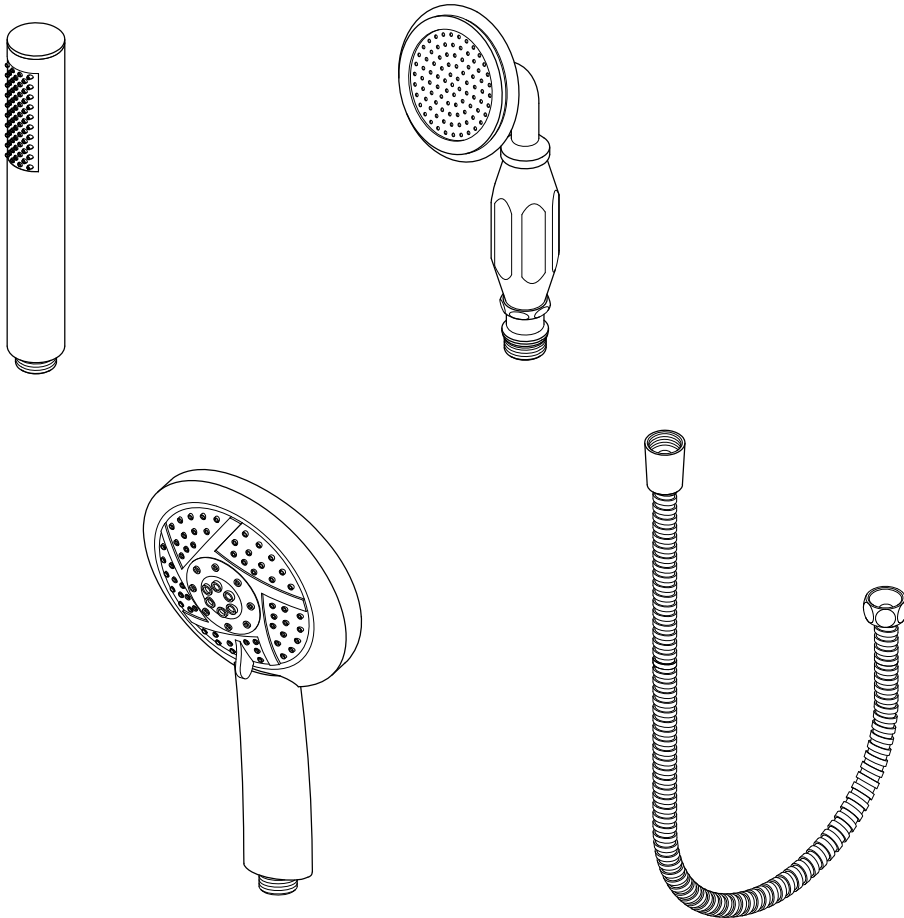
Failure to follow all installation directions may  
cause product to detach from the wall and  
cause serious injury

© 2023-11-T Kingston Brass

# KINGSTON

KITCHEN & BATH

## INSTALLATION INSTRUCTIONS Hand Shower & Shower Hose



### NOTICE

Failure to follow all directions may cause leaks  
which may result in water damage

[www.kingstonbrass.com](http://www.kingstonbrass.com)

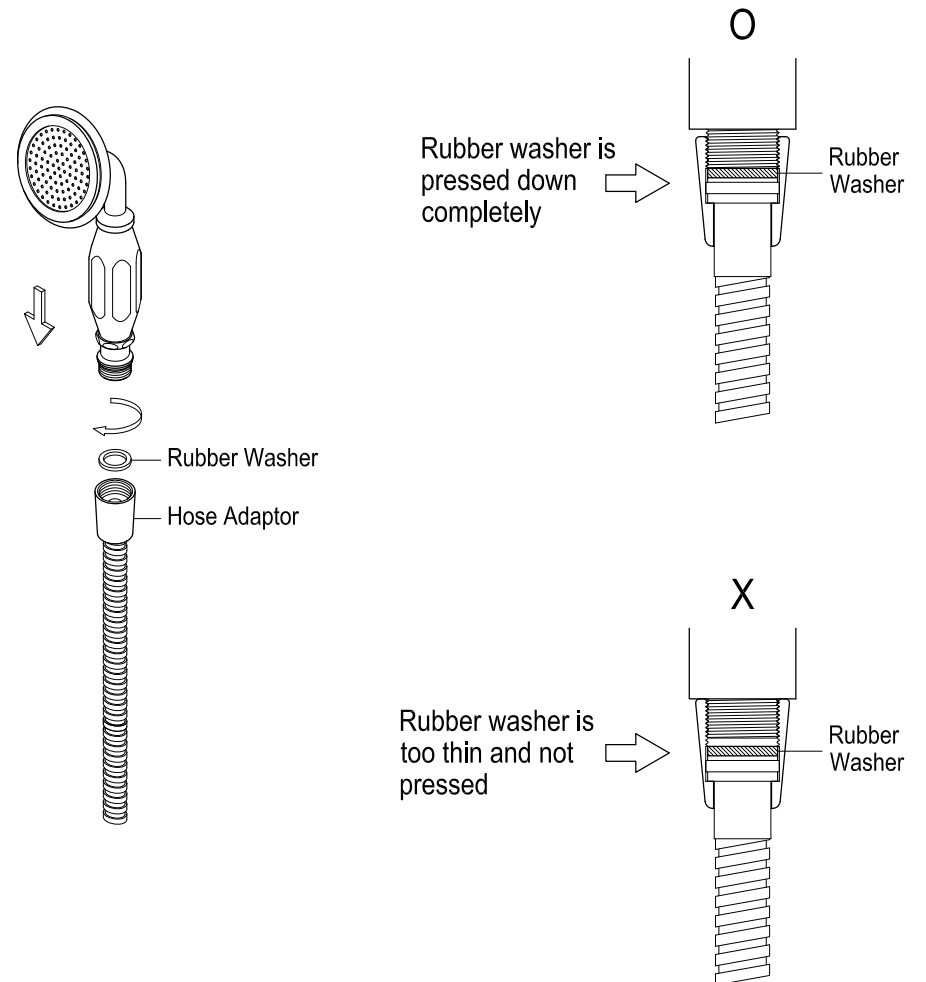
TOLL-FREE CUSTOMER SERVICE: 1-877-2-KBRASS

TECHNICAL SUPPORT E-mail: [service@kingstonbrass.com](mailto:service@kingstonbrass.com)

12775 Reservoir Street, Chino, CA 91710

### Installation Steps for Hand Shower:

1. Remove the old hand shower from the hose by turning it counter-clockwise.
2. Check the original washer on the hose adapter for any damage; replace if necessary.
3. Clean the washer and remove any debris from inside the hose adapter.
4. Reinsert the washer into the hose adapter, ensuring it sits flat against the bottom.
5. Hand-tighten the new hand shower onto the hose adapter by turning it clockwise. Ensure it's secure but do not over-tighten.
6. Turn on the water to check for leaks around the hose adapter. If leaks are found, loosen and retighten the hand shower or replace it with a thicker sealing washer.



## Installation Steps for Shower Hose:

1. Remove the Old Hose, Turn the hose adapter counterclockwise to detach it from the outlet.
2. Insert the enclosed rubber washers into each end of the new shower hose, ensuring they are seated fully inside the adapters.
3. Hand-tighten the end of the hose with the faceted adapter into the outlet. Turn on the water for at least 30 seconds to flush out any debris from the line. Check for leaks at the connection.
4. Hand-tighten the other end of the hose to the hand shower. Turn on the water to check for any leaks, re-tighten if necessary.

