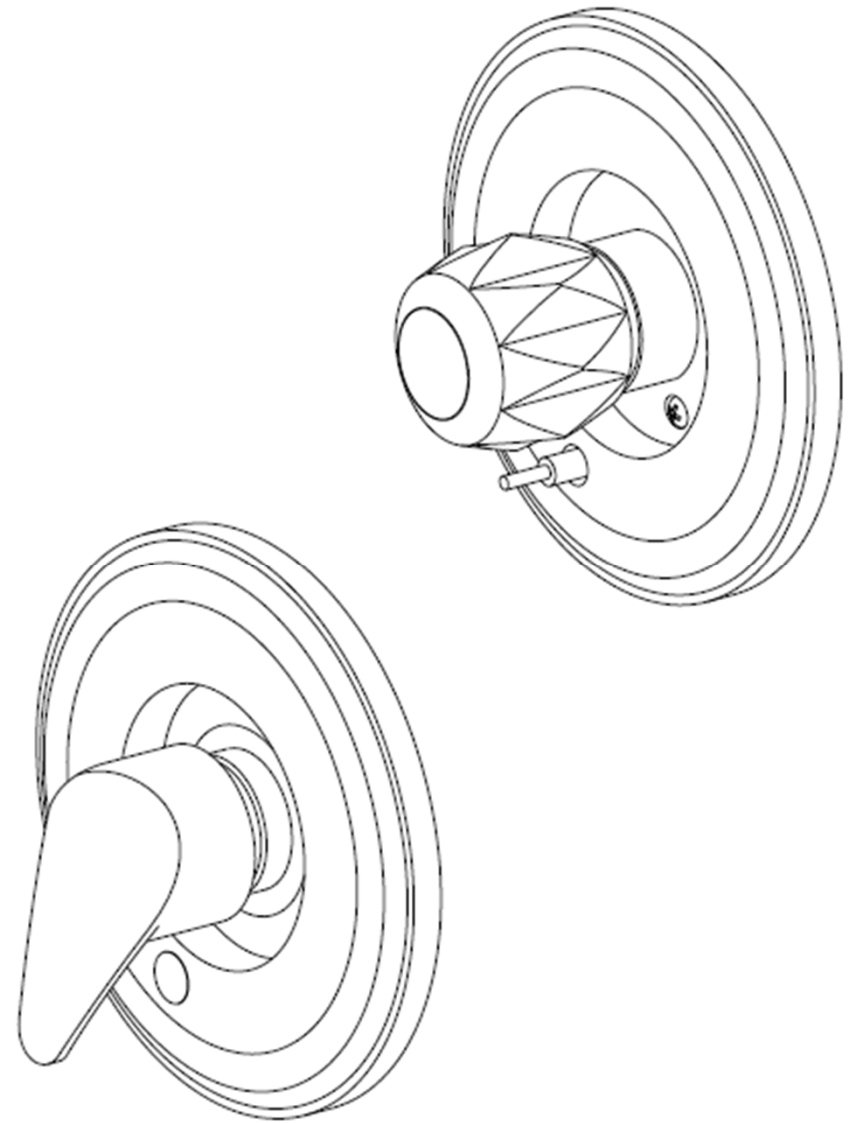


# KINGSTON

KITCHEN & BATH



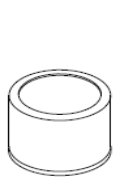
[www.kingstonbrass.com](http://www.kingstonbrass.com)

TOLL-FREE CUSTOMER SERVICE: 1-877-2-KBRASS

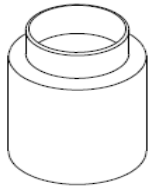
TECHNICAL SUPPORT E-mail: [service@kingstonbrass.com](mailto:service@kingstonbrass.com)

12775 Reservoir Street, Chino, CA91710

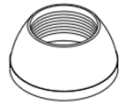
# Parts List For Delta Universal Trim Kit



A - Sleeve



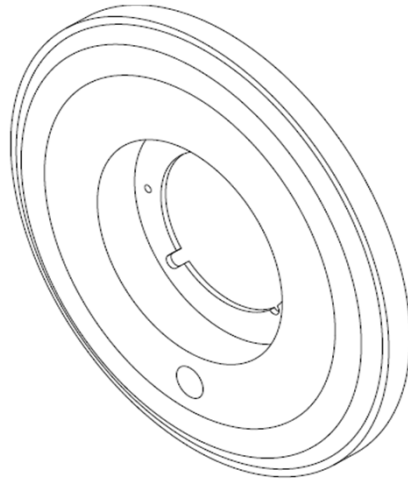
B - Large Sleeve



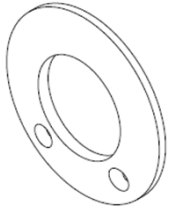
C - Dome Nut



D - Adjusting Ring



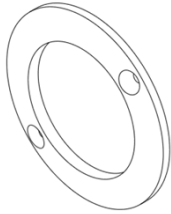
E - Faceplate



F - Faceplate Insert



G1 - Foam Insert



H - Faceplate Insert



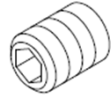
G2 - Foam Insert



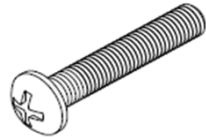
I - Diverter Plug



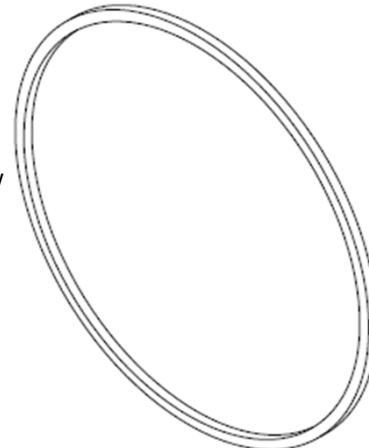
J - Diverter Foam



K - M6 × 1.0" Set Screw



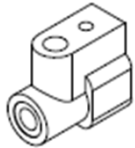
L - #10-24 × 2-1/4" Screw



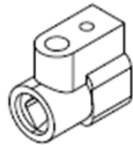
M - Faceplate Gasket



N - Handle Adapter



O - Handle Adapter



P - Handle Adapter



Q - Acrylic Handle



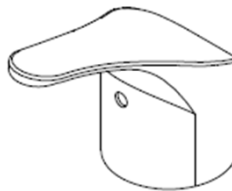
R - Handle Cap



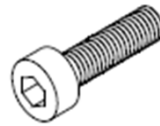
S - #10-24 × 1/2" Screw



T - Lock Washer



U - Lever Handle



V - #6-32 × 1/2" Screw

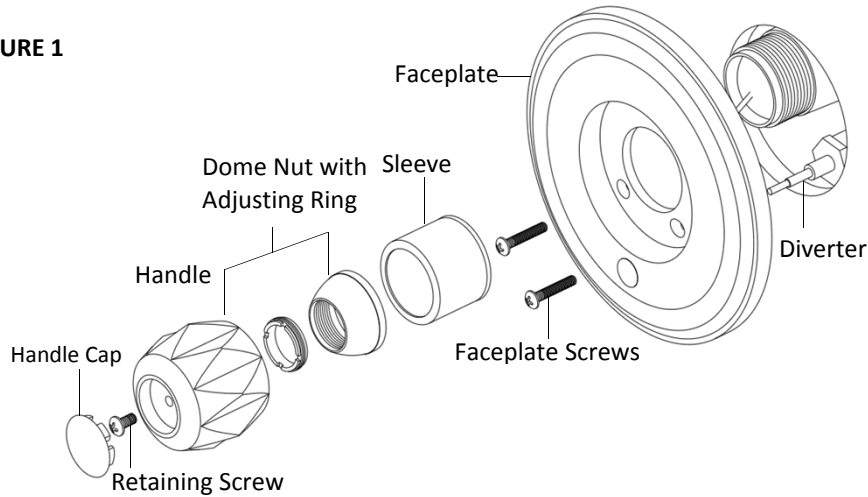
PART#	ITEM	QUANTITY
A	Sleeve	1
B	Large Sleeve	1
C	Dome Nut	1
D	Adjusting Ring	1
E	Faceplate	1
F	Faceplate Insert	1
G1	Foam Insert	1
G2	Foam Insert	1
H	Faceplate Insert	1
I	Diverter Plug	1
J	Diverter Foam	1
K	M6 × 1.0" Set Screw	1
L	#10-24 × 2-1/4" Screw	2
M	Faceplate Gasket	1
N	Handle Adapter	1
O	Handle Adapter	1
P	Handle Adapter	1
Q	Acrylic Handle	1
R	Handle Cap	1
S	#10-24 × 1/2" Screw	1
T	Lock Washer	1
U	Lever Handle	1
V	#6-32 × 1/2" Screw	1

# Installation Instructions for Delta Universal Trim Kit

## Removal of Old Trim (figure 1)

1. Shut off water supply to tub/shower faucet. This may require shutting off the main water supply. Once water supply is off, turn on the faucet to allow the release of any water pressure.
2. Remove the handle cap from the old handle. Remove retaining screw and handle.
3. Note which valve type is being used (figure 2). Note whether the valve uses a diverter.
4. Remove dome nut assembly. Remove faceplate screws and slide off body sleeve.

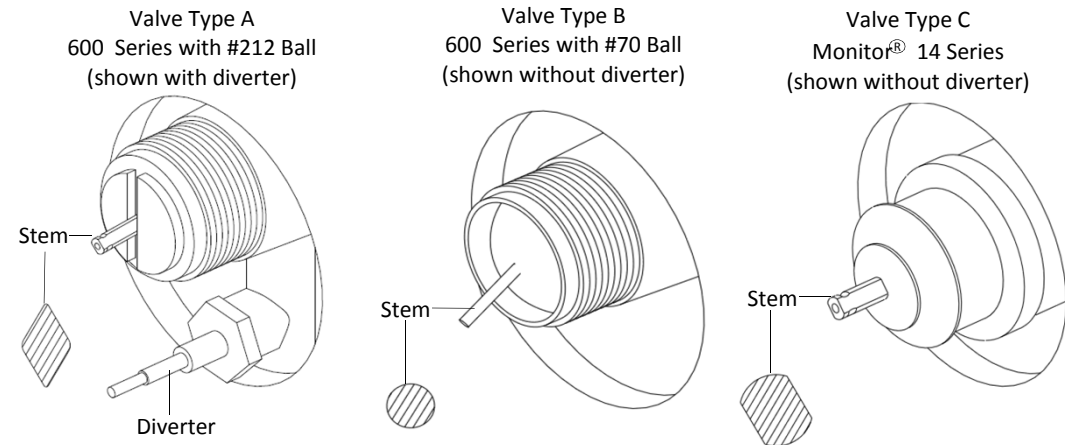
**FIGURE 1**



## Identification of Correct Valve (figure 2)

1. After the old trim has been removed, refer to figure 2 to determine correct valve.
  - Valve Type A 600 Series with #212 Ball uses a stem that has a diamond shaped end.
  - Valve Type B 600 Series with #70 Ball uses a stem that has a round shaped end.
  - Valve Types A & B work by rotating the handle up to turn on the water.
  - Valve Type C Monitor® 14 Series uses a stem that has a round with two flat sides end.
  - Valve Type C works by turning the handle right to left to turn on the water.
2. Note whether the valve uses a push button diverter to control the water to the showerhead.

**FIGURE 2**

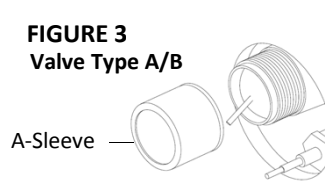


## Installation of Faceplate (figure 3 - 7)

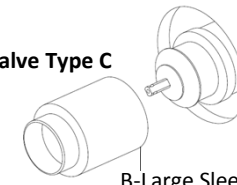
1. Install new sleeve by sliding over valve (figure 3).
  - Note:** Valve type A and type B use the same sleeve.
2. Install new dome nut (C) with adjusting ring (D) (figure 4). (Valve types A & B only). Hand tighten only.
  - Note:** Valve type C does NOT use the dome nut (C) with adjusting ring (D). Adjusting ring (D) can be adjusted, if stem is loose.
3. Locate the faceplate. If the valve uses a diverter, remove the diverter plug (figure 5).
4. Using the smaller foam insert, remove the backing paper and adhere to the back of the faceplate where the diverter will pass through. If diverter is not used, do not remove the diverter plug, discard the diverter foam and continue on to Step 5.
5. Choose the correct faceplate insert:
  - Valve types A & B use the same faceplate insert (figure 5). Valve type C uses the faceplate insert with the larger inner opening (figure 6). Using the foam insert included (note two different sizes), remove backing paper and adhere to the back of the correct faceplate insert. Snap the faceplate insert into the faceplate. Firmly press faceplate insert into faceplate. Note: The tabs on the faceplate insert will align with the slots on the faceplate.
6. Place faceplate gasket into the groove on the back of the faceplate. Slide faceplate assembly over the sleeve. Make sure the diverter hole is toward the bottom (figure 7). Press faceplate assembly against the wall, making sure not to dislodge the faceplate insert. Secure faceplate assembly to the valve body using the included screws. Do not over tighten.

**FIGURE 3**

Valve Type A/B



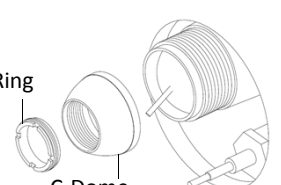
Valve Type C



**FIGURE 4**

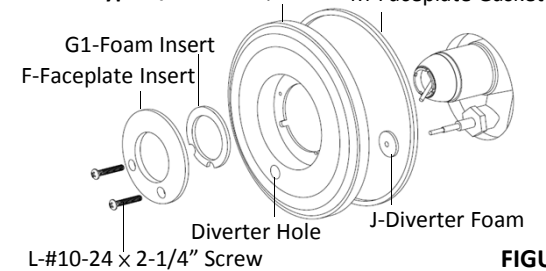
Valve Type A/B

D-Adjusting Ring



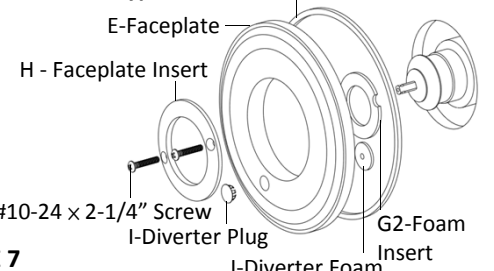
**FIGURE 5**

Valve Type A/B



**FIGURE 6**

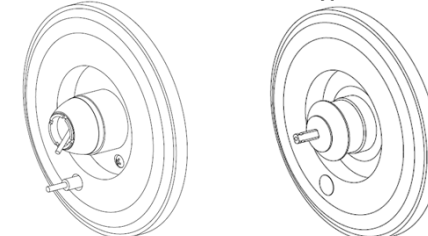
Valve Type C



**FIGURE 7**

Valve Type A/B

Valve Type C

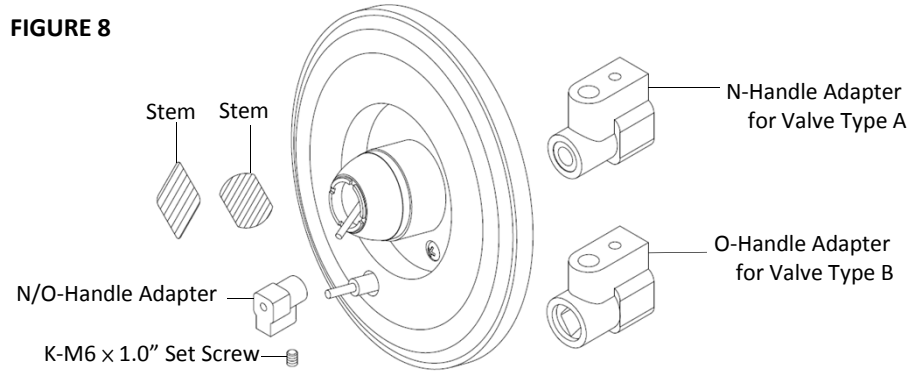


# Installation Instructions for Delta Universal Trim Kit

## Handle Adapter for Valve Types A or B (figure 8)

1. Locate handle adapters for valve type A & B.  
Determine which adapter to use based on which will fit on valve stem.
2. Partially thread set screw into handle adapter that fits on the valve stem (figure 8).
3. Slide handle adapter onto valve stem, making sure that the valve stem is fully seated in the adapter.  
Align the handle adapter to where the set screw is pointing down. Secure the set screw to the valve stem.

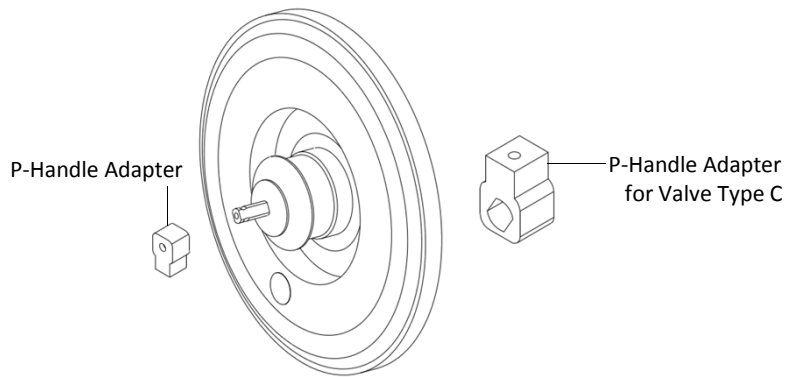
FIGURE 8



## Handle Adapter for Valve Types C (figure 9)

1. Locate handle adapter for valve type C.
2. Slide the handle adapter for valve type C on the valve stem, making sure that the adapter is oriented in the downward position as shown. Do NOT secure handle adapter to valve stem.

FIGURE 9

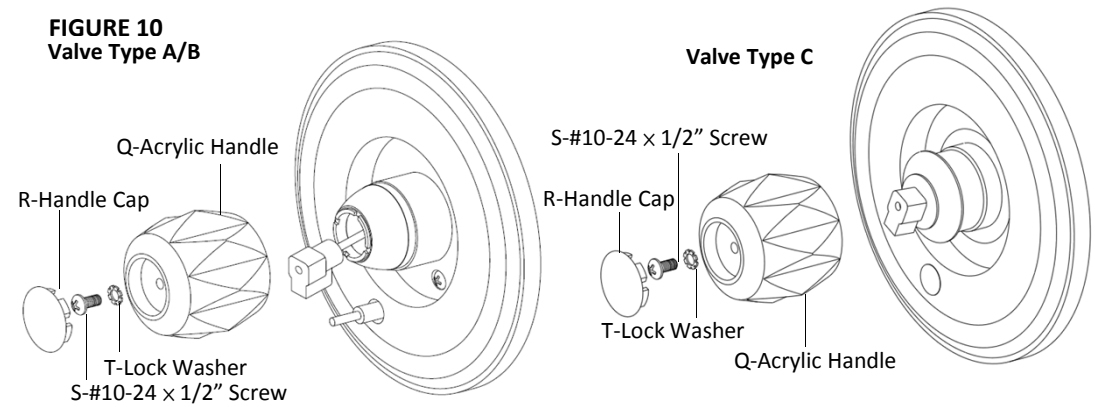


## Choose Desired Handle (Clear Acrylic or Metal Lever Handle)

### For Clear Acrylic Handle - Valve Types A, B & C (figure 10)

1. Place clear plastic handle over handle adapter.  
For valve type A or B, use screw and lock washer to secure handle to handle adapter.  
For valve type C, screw will screw directly into stem
2. Push handle cap into handle.

FIGURE 10  
Valve Type A/B



### For Metal Lever Handle - Valve Types A & B (figure 11)

1. Place metal lever handle over handle adapter.  
Lever should point downward. Push hex screw through handle and screw into handle adapter from the underside of handle. Secure in place by tightening hex screw.

### For Metal Lever Handle - Valve Types C (figure 11)

1. Using screw and lock washer, secure handle adapter to valve stem.
2. Place metal lever handle over handle adapter with lever pointing downward.  
Push hex screw through handle and screw into handle adapter from the underside of handle. Secure in place by tightening hex screw.

FIGURE 11  
Valve Type A/B

