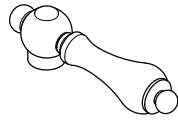
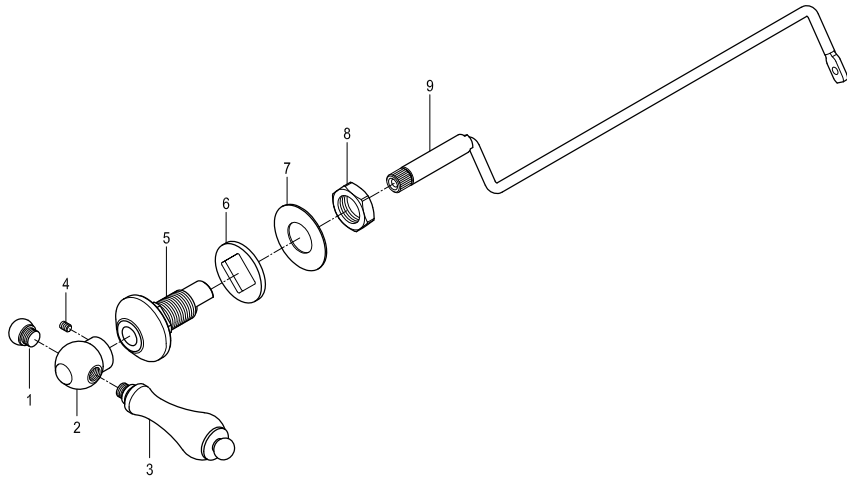


Parts:

Replacement Parts:

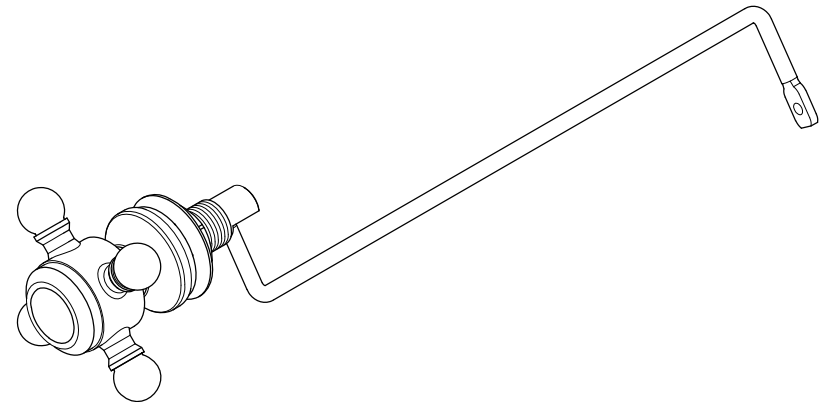
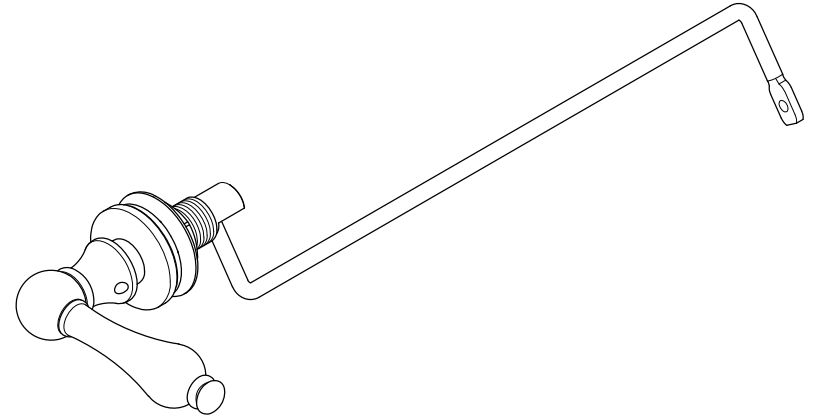


Handle: KSH3961AL



* Never use cleaners containing abrasive cleansers, ammonia, bleach, acids, waxes, alcohol, solvents or other products not recommended for chrome. This will void the warranty.

KINGSTON
KITCHEN & BATH



www.kingstonbrass.com
TOLL-FREE CUSTOMER SERVICE: 1-877-2-KBRASS
TECHNICAL SUPPORT E-mail: service@kingstonbrass.com
12775 Reservoir Street, Chino, CA 91710

KINGSTON

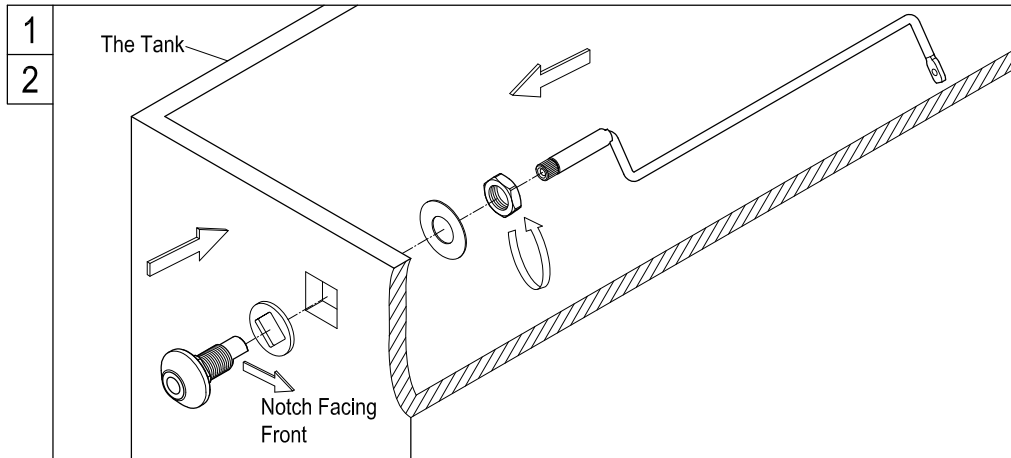
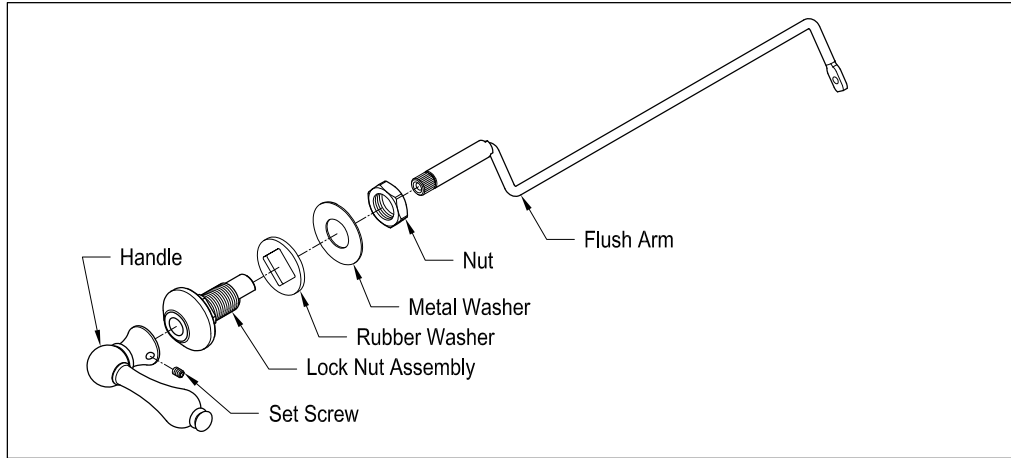
KITCHEN & BATH

INSTALLATION INSTRUCTIONS

Side Mount Tank Lever

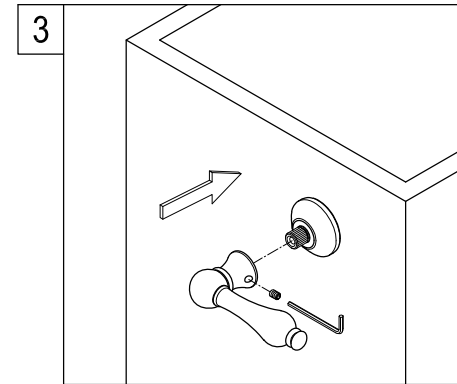
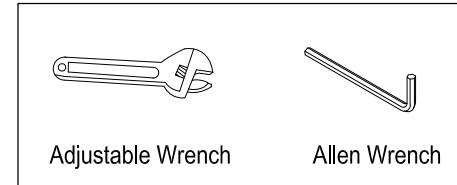
Disassemble Tank Lever :

Removing brass cotter pin from handle assembly end and slide pieces off.

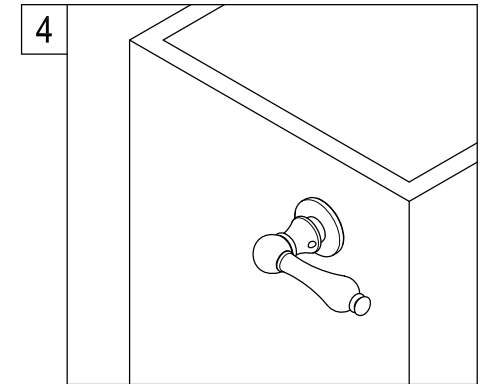


1. Insert metal washer and flush arm through the side hole of the tank.
2. The lock nut assembly notch facing front and assemble the washers and nut on the lock nut assembly, then tighten the nut by hand or adjustable wrench.

Need Tools:



3. Position handle to the right or left depending on preference and secure by tightening set screw on the side of the handle or in certain applications it may have a screw in the center of the handle, after securing handle, placed decorative handle cap (certain models only) onto handle.



4. Flush arm may be bent to fit individual applications.