

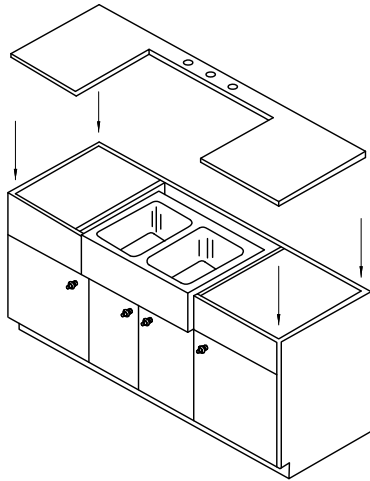
STEP 3

(Recommended for professional installers only.)

Set the sink.

Set the sink into the cabinet cutout, seal if necessary around the cabinet front.

Instructions continued on back panel.



STEP 4

(Recommended for professional installers only.)

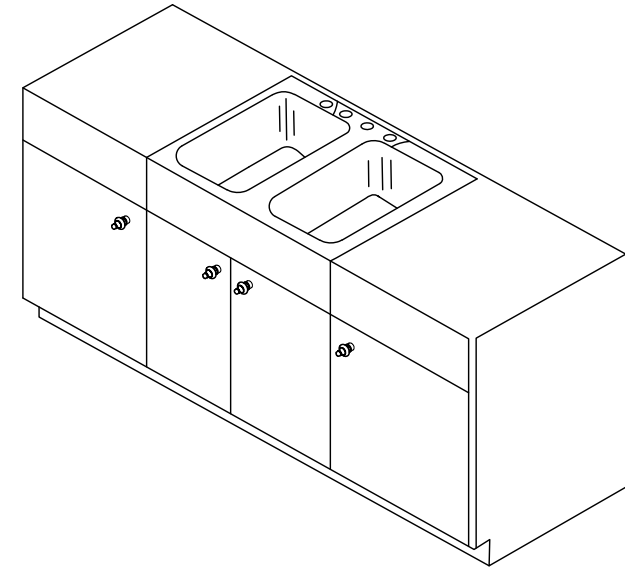
Install the countertop.

Finish the inside of the sink cutout on the top according to the recommendations of the countertop material supplier.

Clean the bottom of the countertop and the top flange (or lip) of the sink with denatured alcohol. Then apply a narrow bead of silicone adhesive sealant to the top edge of the bowl flange.

Place the countertop on the sink.

Remove excess sealant from the inside lip of the bowl using a cleaner recommended By the sealant supplier.



www.kingstonbrass.com

TOLL-FREE CUSTOMER SERVICE: 1-877-2-KBRASS

TECHNICAL SUPPORT E-mail: service@kingstonbrass.com

12775 Reservoir Street, Chino, CA91710



KINGSTON BRASS INSTALLATION INSTRUCTIONS For Use UNDERMOUNT SINK

These instructions are for installing Kingston Brass stainless farmhouse style undermount sinks. If you are installing another type of sink, such as a standard undermount drop-in sink. Please refer to instructions specifically for those sinks.

Templates are supplied only as a guide.

The physical use of the sink will ensure a more accurate cutout.

For information on installations in granite, marble, stone or butcher block countertops, contact your fabricator.

For information on installation in ceramic tile countertops, contact your tile contractor.

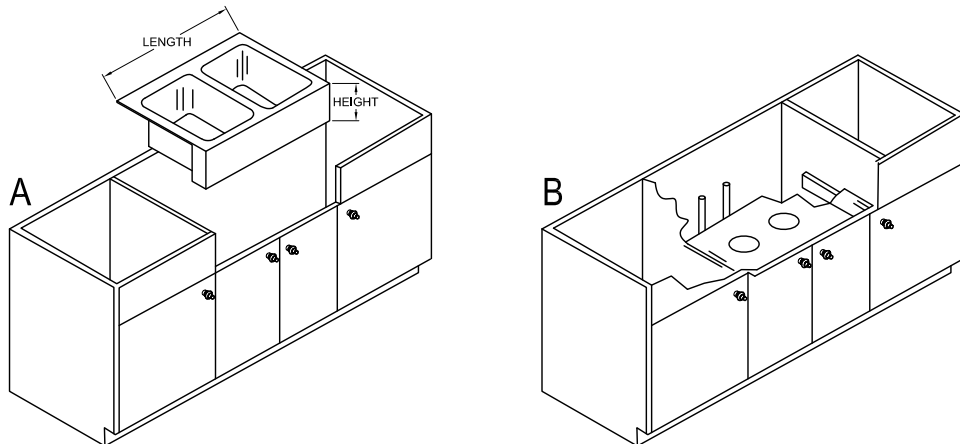
Note:

It is recommended that all countertops be cut by an approved or certified installer and that the sinks be installed by the installer whenever possible.

The countertop/sink unit ideally should be installed as one on the jobsite.

Before installing the sink, inspect it for damage. Do not install a damaged unit.

Remember, it is your responsibility to follow all local plumbing and codes.



STEP 1

(Recommended for professional installers only.)

Prepare the sink base cabinet.

Farmhouse sinks require a special sink base cabinet with a front cutout and a platform built in place to support the sink.

(illustration A)

Build a plywood platform to support the weight of the sink and attachments.

The platform should be attached with braces to the sink cabinet, allowing for the top of the sink to reach the bottom of the countertop material. Be sure to allow

space for water line supplies and drain hole/garbage disposal clearance.

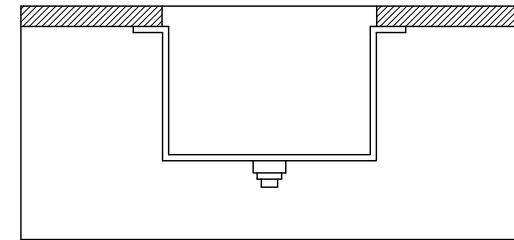
(illustration B)

Fit the sink to the cabinet opening.

The opening in the front face of the sink base cabinet can be modified to fit the job site. Be sure to have filler strips on site in case any adjustments need to be made in the depth or width of the sink base cabinet cutout.

Double check measurement of cabinet cutout and make any necessary adjustments by either adding filler strips or sanding the opening.

Kingston Brass stainless steel farmhouse style undermount sinks are designed so that the apron sits forward approximately 1" out from the face of the cabinet.



STEP 2

(Recommended for professional installers only.)

Make a template and cutouts.

Kingston Brass recommends that our farmhouse style undermount sinks be installed with a Positive Reveal, with the countertop edge sitting approximately 1/8" back from the edge of the sink, exposing the sink rim. Use the sink itself as the template for the cutout on the countertop. Center the sink, draw around it with a pencil, then make the cutout in the countertop.

Measure the location for the faucet, and any accessories, make the cutouts and install the faucets and accessories.

Install strainer and/or garbage disposer.