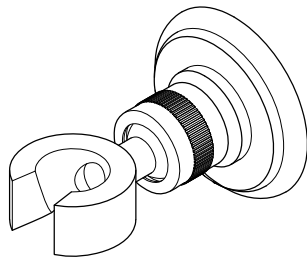
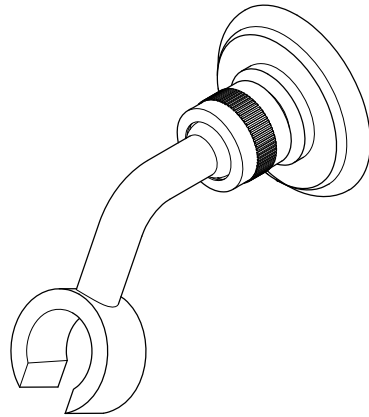


KINGSTON

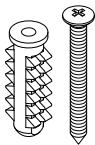
KITCHEN & BATH

Wall Bracket Installation



Parts:

Mounting Screw
&
Anchor



1 Pc

CAUTION

Failure to follow all installation directions may cause product to detach from the wall and cause serious injury

www.kingstonbrass.com
TOLL-FREE CUSTOMER SERVICE: 1-877-2-KBRASS
TECHNICAL SUPPORT E-mail: service@kingstonbrass.com
12775 Reservoir Street, Chino, CA 91710

TOOLS REQUIRED



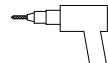
Hammer



Phillips Screwdriver



Marking Pencil



Power Drill

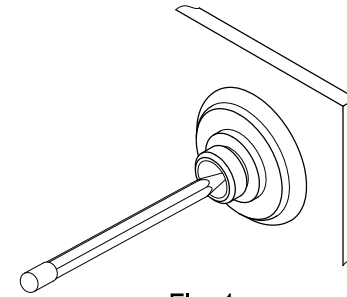


Fig. 1

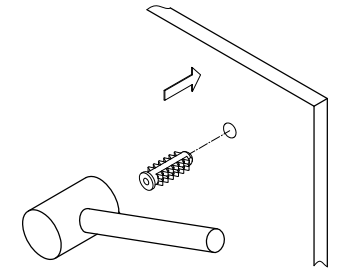


Fig. 2

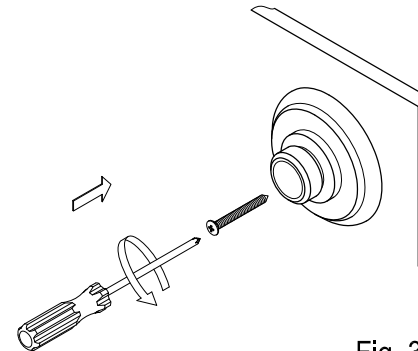


Fig. 3

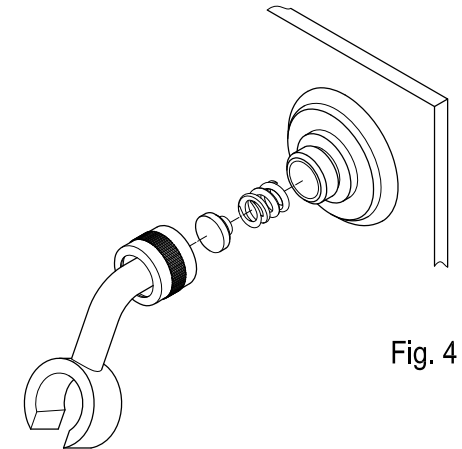


Fig. 4

Installation Steps:

- Step 1. Locate position on the wall and mark outline of cover plate on the wall (fig. 1).
- Step 2. Locate wall bracket in the center of outline. Mark location of the mounting screw (fig.1) and drill holes at the marked location.
- Step 3. Insert anchors into the holes until flush with wall (fig. 2).
- Step 4. Screw the wall bracket base into the wall with mounting screws, place the round cover over base and slide bracket in (fig. 3).
- Step 5. Place the spring, metal washer and bracket set in the base and hand tighten in clockwise till fully secure (fig. 4).

Cleaning

Clean with a damp cloth only.
Avoid using metal or abrasive polishes.

KINGSTON

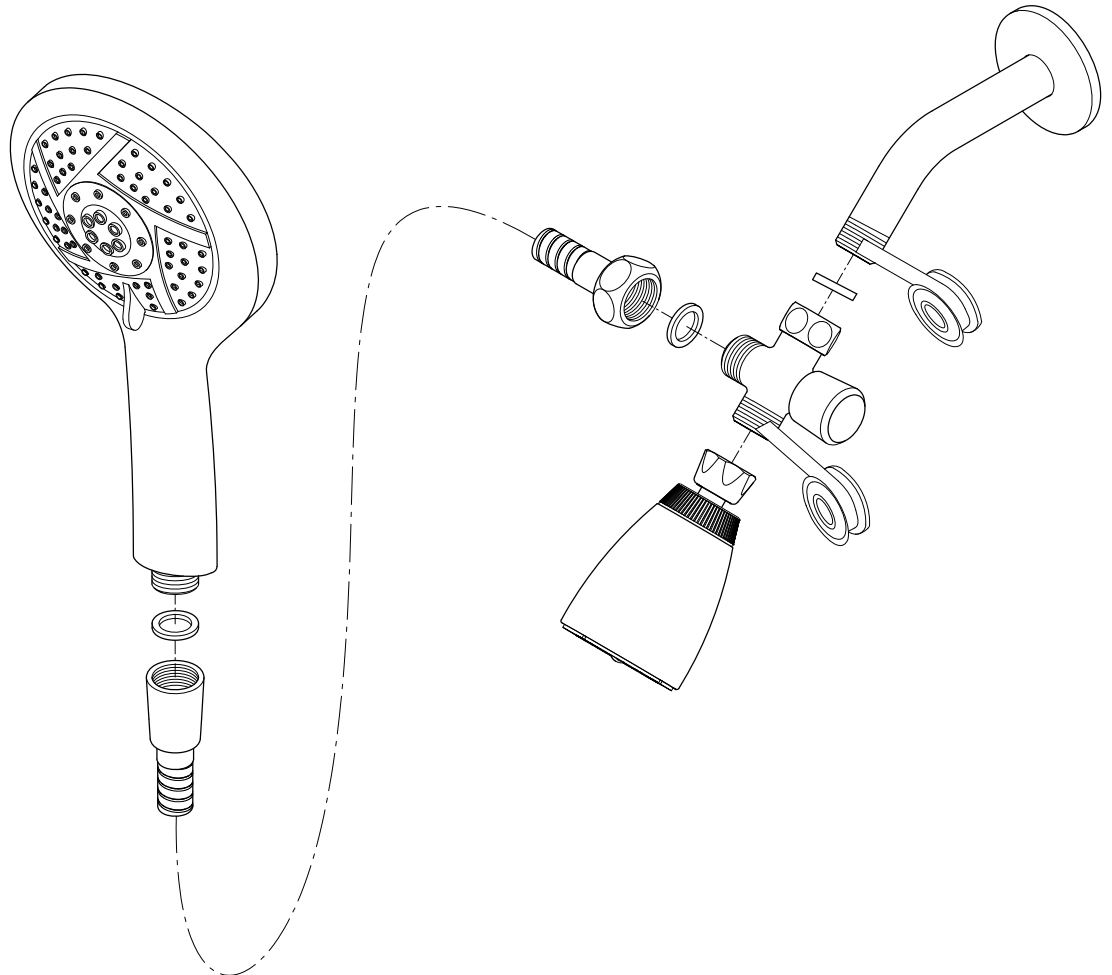
KITCHEN & BATH

INSTALLATION INSTRUCTIONS

Shower Arm Diverter

Instructions:

1. Remove showerhead, Apply Teflon tape to threads on shower arm as well as the threads on the diverter.
2. After inserting the rubber washer, thread diverter onto showerarm.
3. Thread shower hose onto the bottom outlet on the diverter.
4. Open hot and cold shower valves and let water run for 30 seconds or more from each outlet, this will clear any debris from the line.
5. Thread showerhead to the side outlet.
6. Thread handshower to the end of the hose.



www.kingstonbrass.com

TOLL-FREE CUSTOMER SERVICE: 1-877-2-KBRASS

TECHNICAL SUPPORT E-mail: service@kingstonbrass.com

12775 Reservoir Street, Chino, CA 91710

NOTICE

Failure to follow all directions may cause leaks
which may result in water damage

CAUTION

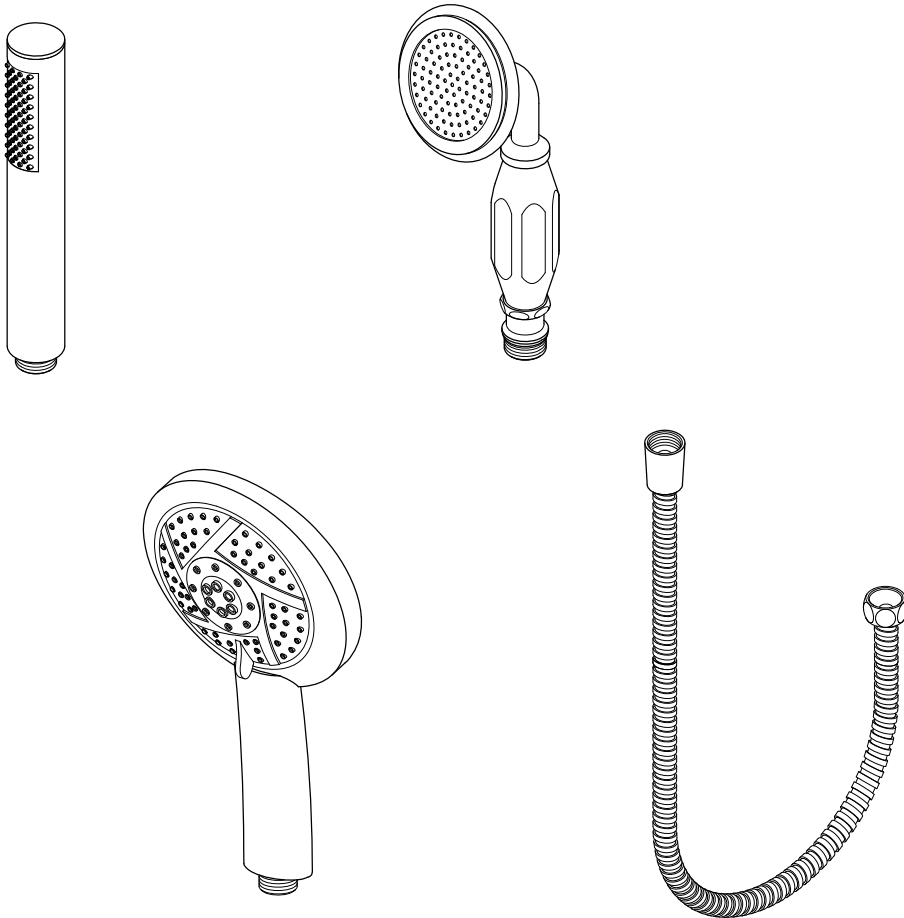
Failure to follow all installation directions may
cause product to detach from the wall and
cause serious injury

© 2023-11-T Kingston Brass

KINGSTON

KITCHEN & BATH

INSTALLATION INSTRUCTIONS Hand Shower & Shower Hose



NOTICE

Failure to follow all directions may cause leaks
which may result in water damage

www.kingstonbrass.com

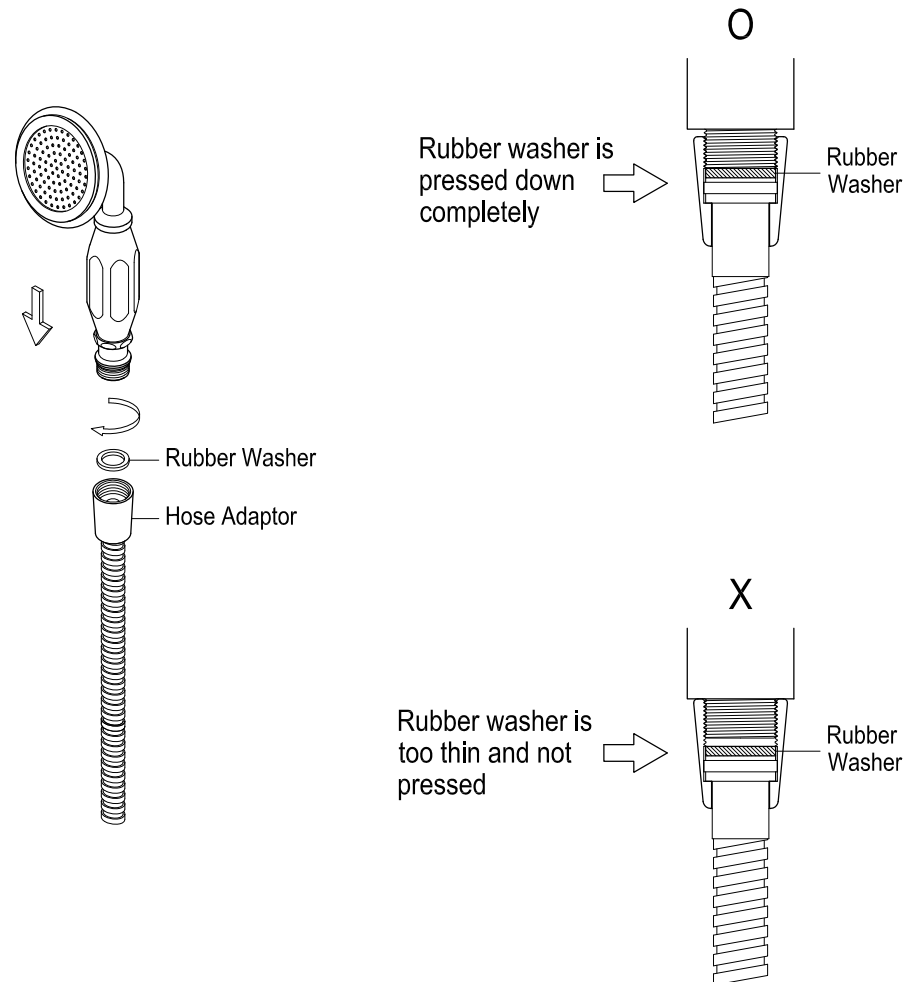
TOLL-FREE CUSTOMER SERVICE: 1-877-2-KBRASS

TECHNICAL SUPPORT E-mail: service@kingstonbrass.com

12775 Reservoir Street, Chino, CA 91710

Installation Steps for Hand Shower:

1. Remove the old hand shower from the hose by turning it counter-clockwise.
2. Check the original washer on the hose adapter for any damage; replace if necessary.
3. Clean the washer and remove any debris from inside the hose adapter.
4. Reinsert the washer into the hose adapter, ensuring it sits flat against the bottom.
5. Hand-tighten the new hand shower onto the hose adapter by turning it clockwise. Ensure it's secure but do not over-tighten.
6. Turn on the water to check for leaks around the hose adapter. If leaks are found, loosen and retighten the hand shower or replace it with a thicker sealing washer.



Installation Steps for Shower Hose:

1. Remove the Old Hose, Turn the hose adapter counterclockwise to detach it from the outlet.
2. Insert the enclosed rubber washers into each end of the new shower hose, ensuring they are seated fully inside the adapters.
3. Hand-tighten the end of the hose with the faceted adapter into the outlet. Turn on the water for at least 30 seconds to flush out any debris from the line. Check for leaks at the connection.
4. Hand-tighten the other end of the hose to the hand shower. Turn on the water to check for any leaks, re-tighten if necessary.

