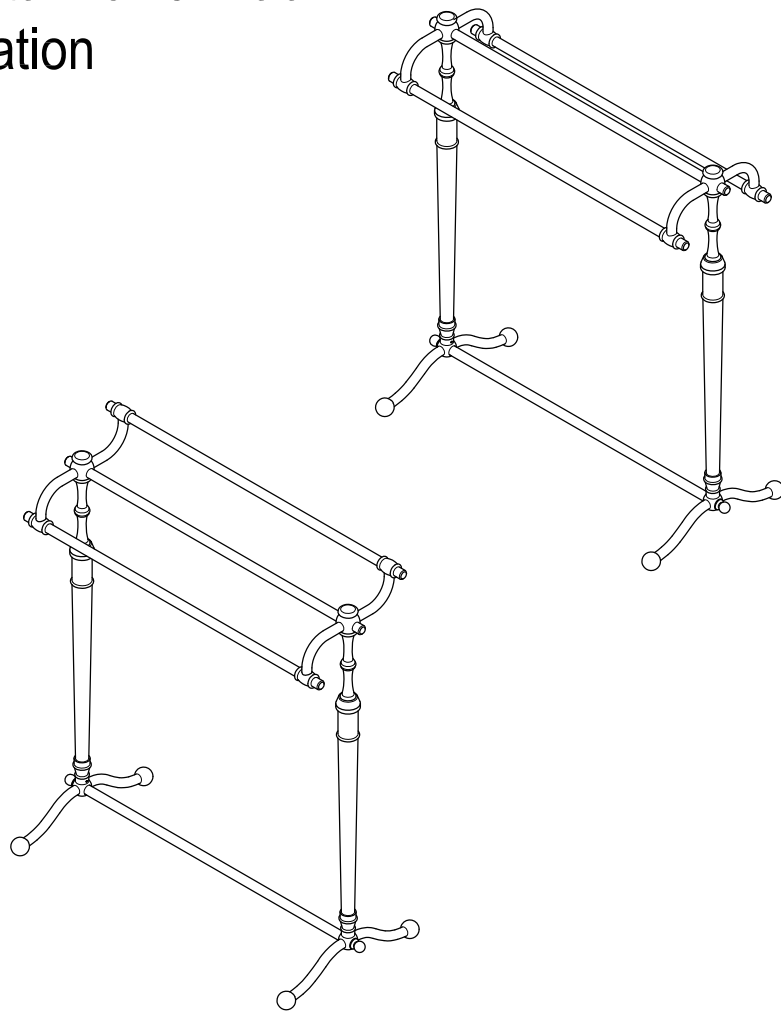


KINGSTON

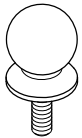
KITCHEN & BATH

Pedestal Towel Rack Installation



Parts:

Bolt



2 Pcs



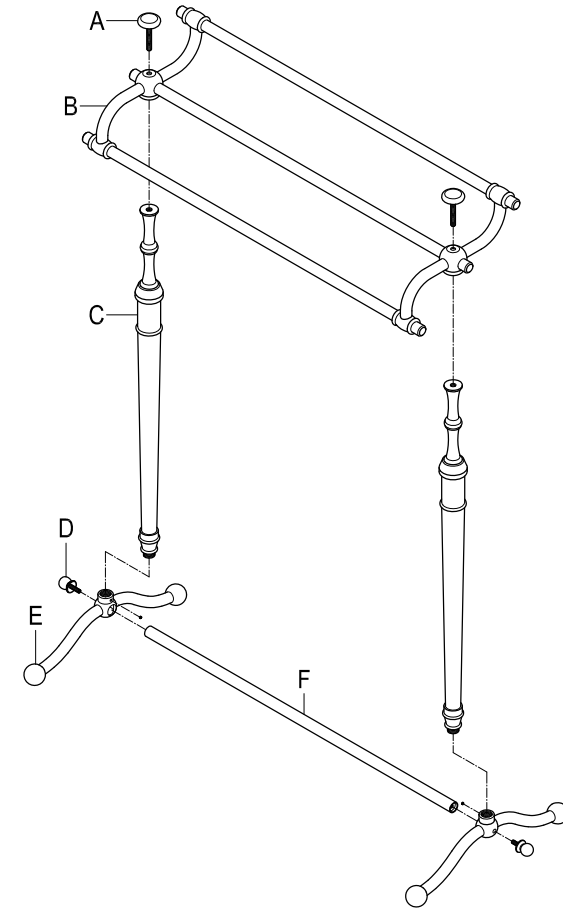
⚠ WARNING

Lifting hazard.

Single person lift could cause injury.
Use assistance when moving or lifting.

www.kingstonbrass.com
TOLL-FREE CUSTOMER SERVICE: 1-877-2-KBRASS
TECHNICAL SUPPORT E-mail: service@kingstonbrass.com
12775 Reservoir Street, Chino, CA 91710

TOOLS REQUIRED



Installation Steps:

- Step 1. Thread vertical sidebars (C) into the foot assembly.
- Step 2. Insert the horizontal bottom bar, and secure with decorative bolts (D).
- Step 3. Secure top rack assembly (B) to the vertical side bars using decorative bolts (A).
- Step 4. Check that all bolts are tight and secure

Cleaning

Clean with a damp cloth only.
Avoid using metal or abrasive polishes.