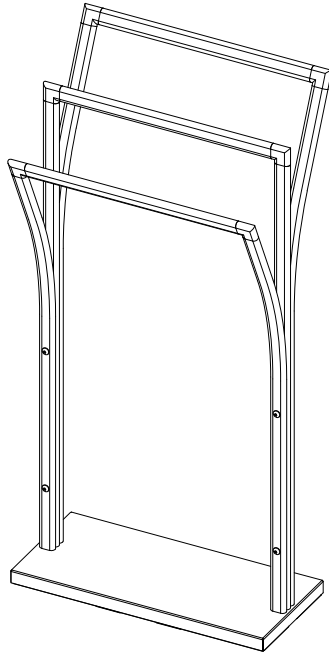


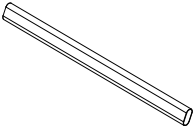


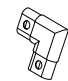
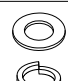
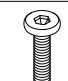

# KINGSTON

KITCHEN & BATH

## Pedestal Y Style Steel Frame Towel Rack Installation

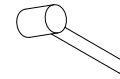


### Parts:

Straight Tube		J Shape(long)	J Shape(short)	Two-way connector	
		 2 Pcs	 2 Pcs	 6 Pcs	
		Washer 	Screw(long) 	Sleeve & Screw(short) 	
A	13-3/4" 3 Pcs				
B	29" 2 Pcs				

www.kingstonbrass.com  
 TOLL-FREE CUSTOMER SERVICE: 1-877-2-KBRASS  
 TECHNICAL SUPPORT E-mail: service@kingstonbrass.com  
 12775 Reservoir Street, Chino, CA 91710

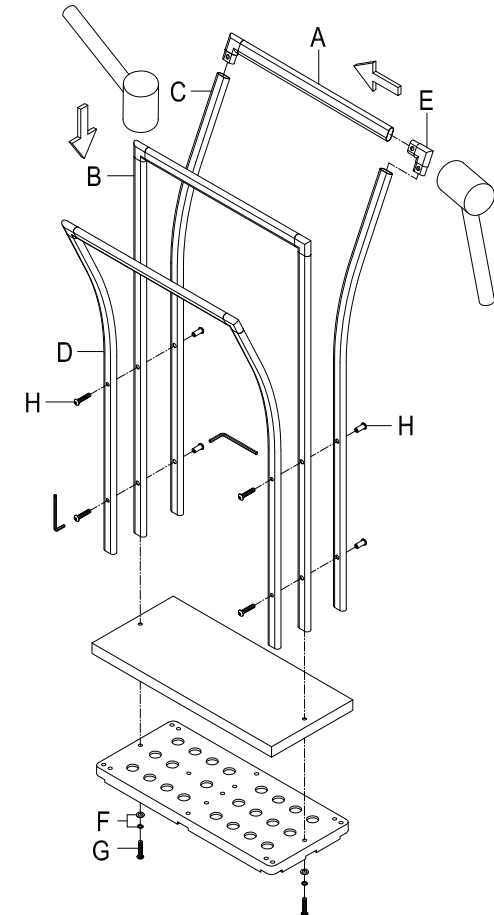
### TOOLS REQUIRED



Rubber Mallet



Allen Wrench



### Installation Steps:

- Step 1. Using a rubber mallet, gently tap the two-way connectors (part E) into the straight tube (part A). Repeat on the other side and for the remaining 2 pieces.
- Step 2. After completing step 1 with parts A. Locate parts B, C, D and E.
- Step 3. Then the straight tube (part B) and J Shape (part C,D), secure together using the provided sleeves and short screws (Part H) and Allen wrench. Repeat for the other end.
- Step 4. Next, locate the base, then the long screws (part G) and washers (part F) provided, secure them into base and parts B by tightening with an Allen wrench.

### Cleaning

Clean with a damp cloth only.  
 Avoid using metal or abrasive polishes.