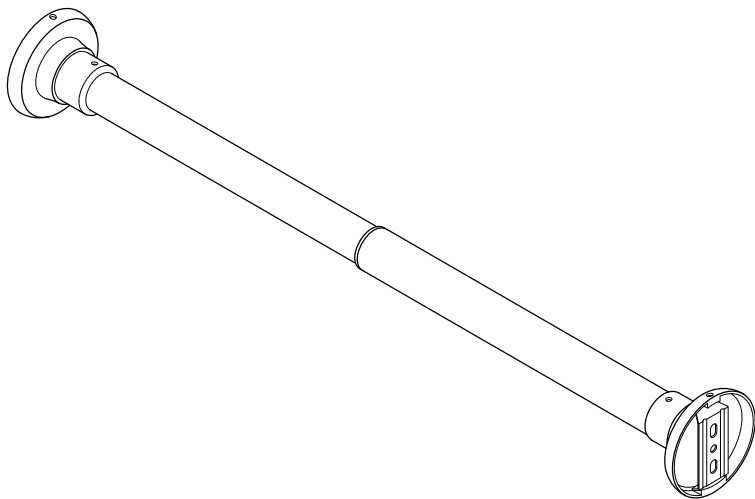


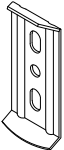
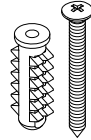

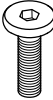
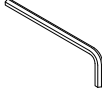
# KINGSTON

KITCHEN & BATH

## Adjustable Shower Rod Installation



### Parts:

Mounting Plate	Mounting Screw & Anchor	Slotted Set Screw	Set Screw	Allen Wrench
				
2 Pcs	4 Pcs	2 Pcs	2 Pcs	1 Pc

## CAUTION

Failure to follow all installation directions may cause product to detach from the wall and cause serious injury

www.kingstonbrass.com  
TOLL-FREE CUSTOMER SERVICE: 1-877-2-KBRASS  
TECHNICAL SUPPORT E-mail: service@kingstonbrass.com  
12775 Reservoir Street, Chino, CA 91710

### TOOLS REQUIRED

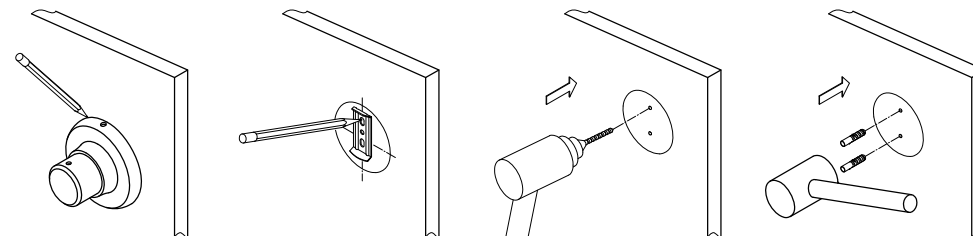
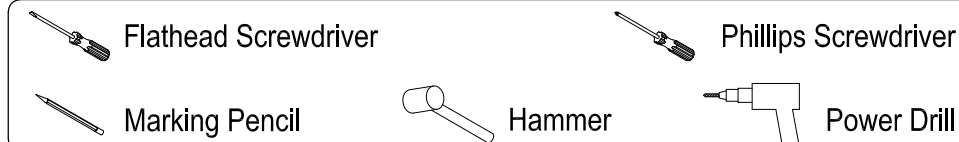


Fig. 1

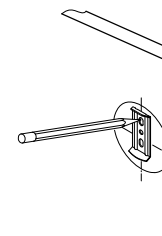


Fig. 2

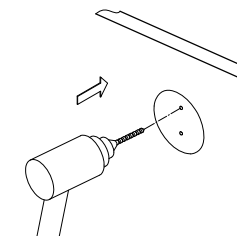


Fig. 3

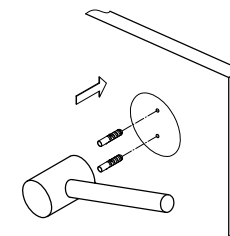


Fig. 4

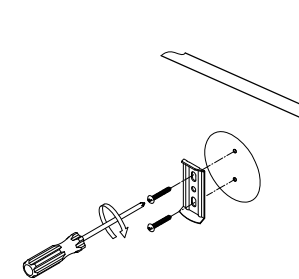


Fig. 5

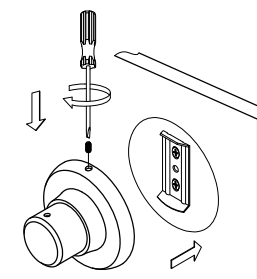


Fig. 6

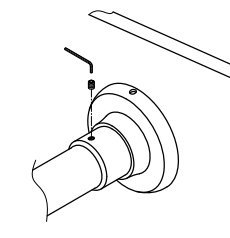


Fig. 7

### Installation Steps:

- Step 1. Locate where you would like to install the base.  
Place a base onto the wall and trace around it with a pencil (fig 1).
- Step 2. Place the mounting plate in the center of the pencil outline you just made and mark the location of the mounting screws (fig 2). Drill holes at the marked locations (fig 3).
- Step 3. Insert anchors into the holes with a hammer until flush with the wall (fig 4).
- Step 4. Screw the mounting plate (with the lips facing out) to the wall with the mounting screws (fig 5). Ensure the curved end of the mounting plate is at bottom and the flat end on top before screwing on.
- Step 5. Place the mounting unit against the mounting plate that is installed to the wall surface. Above the mounting unit there is a small screw hole, tighten the set screw with a flathead screwdriver until it is securely fixed to the wall (Fig 6).
- Step 6. Attached shower rod into the mounting unit and screw the shower rod in securely (Fig 7).

### Cleaning

Clean with a damp cloth only.  
Avoid using metal or abrasive polishes.