

KINGSTON

KITCHEN & BATH

INSTALLATION INSTRUCTIONS

Decorative S-Trap

Before you start:

- This "S" trap is designed to be installed between a lavatory drain and a floor drain outlet. Cover drain hole on sink with an old rag to prevent any debris from falling inside the drain.

Installation Instructions:

1. Remove old trap and clean the tailpiece and floor drain opening thoroughly.

2. Remove coupling nut (1) and black washer (2) from the P-trap (7).

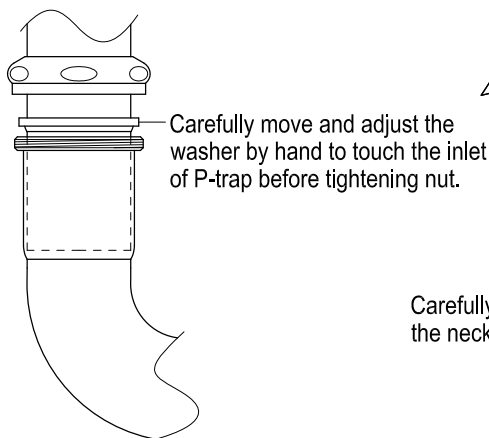
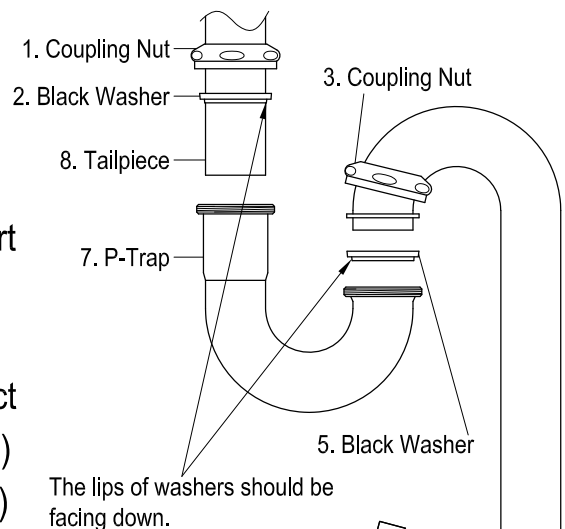
3. Insert coupling nut (1) and black washer (2) onto the tailpiece (8), make sure the lip of washer is facing down.

4. Attach P-trap to the tailpiece (8). Slowly and carefully move the black washer (2) down to touch the inlet of P-trap (7) by hand. Then tighten up the coupling nut (1).

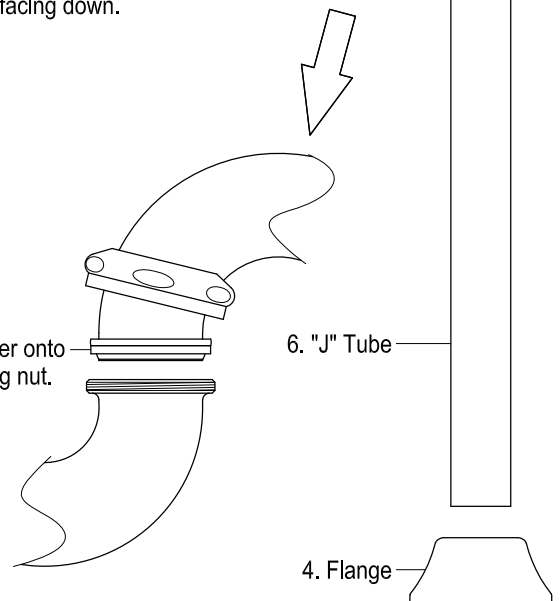
5. Align P-trap (7) with "J" tube (6) and tailpiece (8), at this point it may be necessary to cut part of tailpiece (8) or part of "J" tube (6) to obtain proper alignment.

6. Check if all components are properly tightened.

7. Run water. If leaks appear and tightening doesn't correct it, loosen coupling nuts (1) or (3), check black washers (2) and (5) are properly installed. Retighten coupling nuts (1) or (3).



Carefully insert the washer onto the neck before tightening nut.



NOTICE

Failure to follow all directions may cause leaks which may result in water damage

www.kingstonbrass.com

TOLL-FREE CUSTOMER SERVICE: 1-877-2-KBRASS

TECHNICAL SUPPORT E-mail: service@kingstonbrass.com

12775 Reservoir Street, Chino, CA 91710