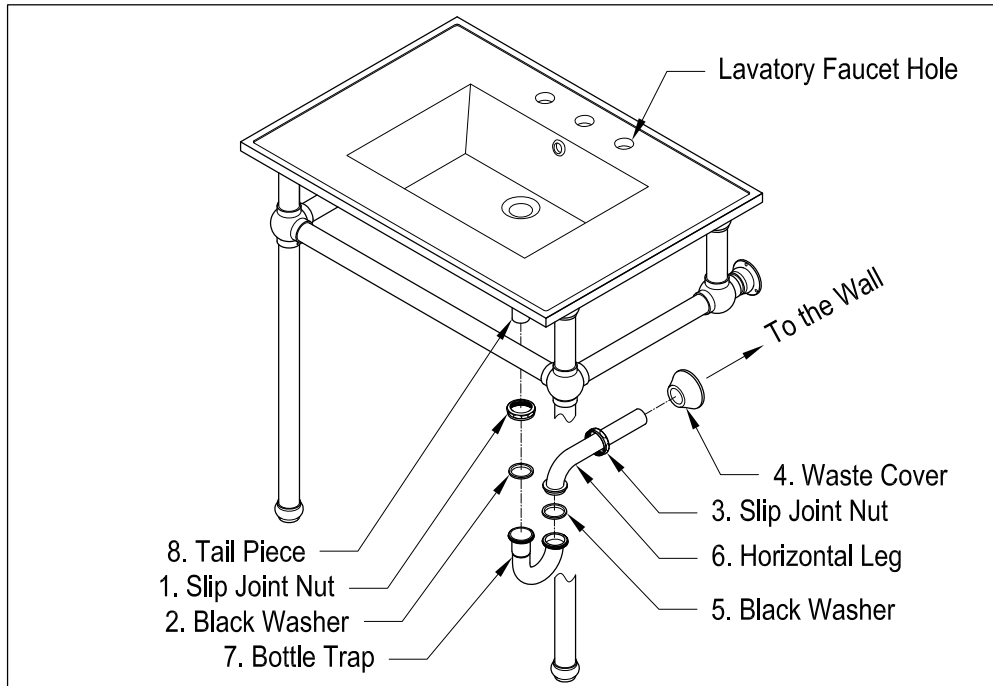


P-Trap Installation:

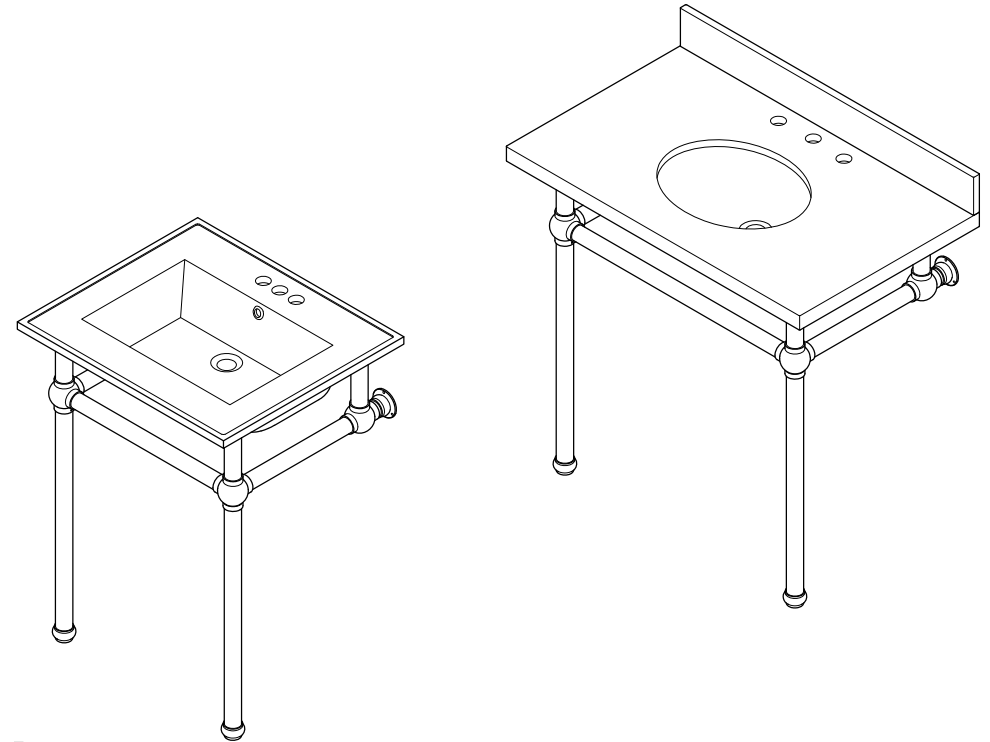


1. Remove horizontal leg and slip joint nut from bottle trap.
2. Apply Teflon tape to all exposed threads.
3. Insert slip joint nut (3) and waste cover (4) onto horizontal leg (6).
4. Insert horizontal leg into wall waste opening, do not tighten.
5. Insert black washer (2) and slip joint nut (1) onto tail piece (8).
6. Attach bottle trap (7) to tail piece and hand tighten slip joint nut (1).
7. Align bottle trap with horizontal leg and tail piece, at this point it may be necessary to cut part of tail piece or part of horizontal leg to obtain proper alignment.
8. After all components have been properly aligned, insert horizontal leg making sure to insert black washer (5) before tightening slip joint nut (3).
9. Thread both slip joint nuts onto bottle trap and tighten along with slip joint securing horizontal leg to wall waste opening.
10. Check for leakage by opening faucet and letting water run for at least 45 seconds.


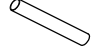
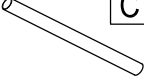



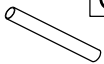




Care and maintenance:

- Clean only with warm water and dry with a microfiber cloth.
- Do not use any soaps, abrasives or brass cleaners as these may damage the finish.
- Dry after every use if there is moisture present.
- You may apply a light coat of non-abrasive carnauba wax periodically.

FAUCETURE



Parts:

Wall Flange	Side bar	Support bar	Support bar	3-Way Ball Joint	4-Way Ball Joint
 A 2 Pcs	 B 2 Pcs	 C 2 Pcs	 D 2 Pcs	 E 2 Pcs	 F 2 Pcs
Front Bar	Top Flange & Floor Flange	Floor Screw	Wooden Screw	Buffer Pad	
 G 1 Pc	 H 6 Pcs	 I 2 Pcs	 J 6 Pcs	 K 4 Pcs	

CAUTION

Failure to follow all installation directions may cause product to detach from the wall and cause serious injury

www.kingstonbrass.com
TOLL-FREE CUSTOMER SERVICE: 1-877-2-KBRASS
TECHNICAL SUPPORT E-mail: service@kingstonbrass.com
12775 Reservoir Street, Chino, CA 91710

FAUCETURE

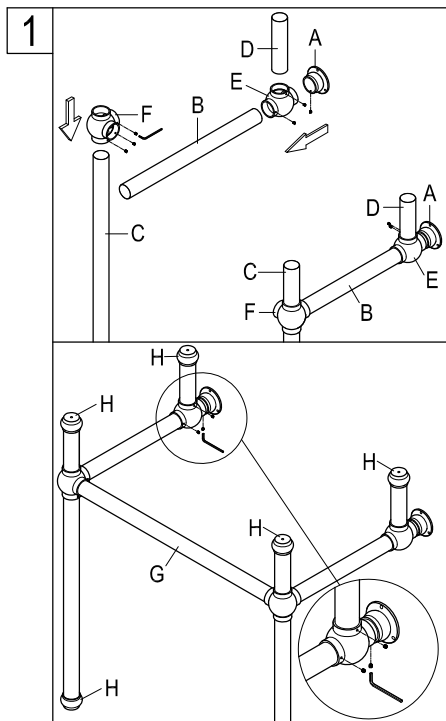
INSTALLATION INSTRUCTIONS

Console Sink Legs

Before Installation :

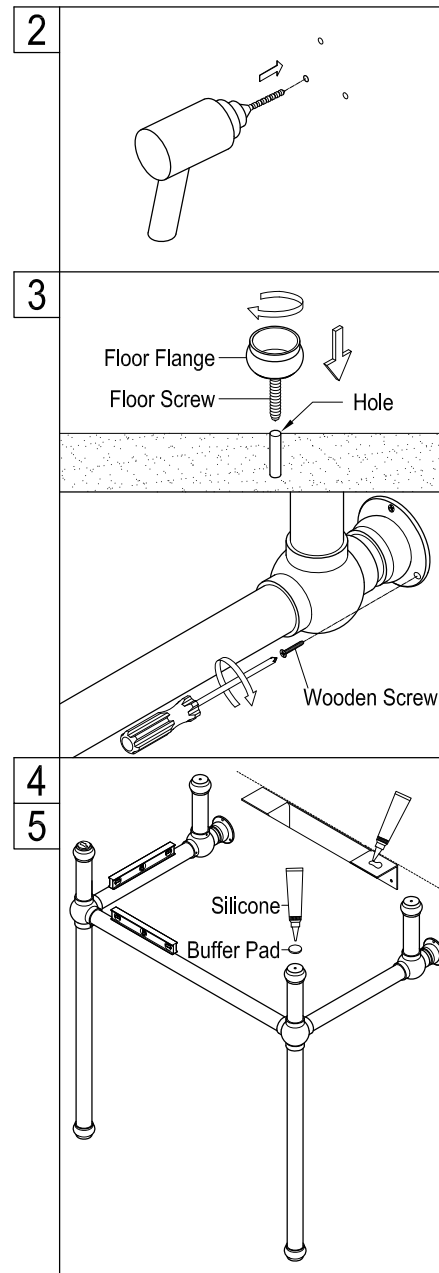
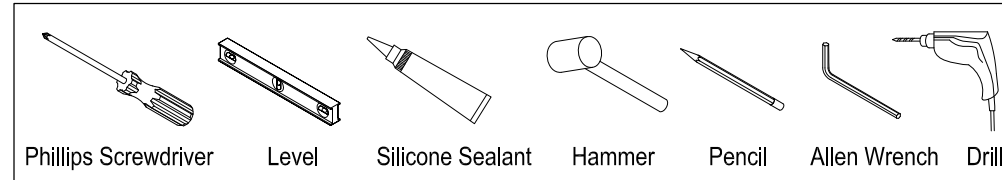
1. Unpack your new Kingston Brass product and inspect it keep the product in its original package until you are ready to install it.
2. Shut the water supply off when replacing an existing fixture. Preparation of the floors and walls, including all additional wall supports, maybe required.
3. Observe all local plumbing and building codes.
4. It is recommended that you enlist the assistance of a second person to install this unit.
5. Make sure to select appropriate drain as some of Kingston Brass vessel sinks do not include overflow hole.
6. The weight capacity of this unit is solely dependent on its installation.
 - a) Once the location has been selected, make sure to install 2" x 6" lumber or larger wood bracing, in order to secure the console properly.
 - b) Make sure your sink has come with wall-mounting screw hardware or bracket to fix on the wall.
 - c) If not, for safety concern, we recommend that you use our bracket # VSPLBRKT, bracket should be attached to 2" x 6" lumber or larger wood bracing for added safety.

Assembly and Installation :



1. Start by assembling right and left support legs as shown on figure 1. If necessary refer to the parts breakdown chart included in these installation instructions, after assembling right & left sides of the support legs, attach front bar (G) to both sides, make sure to tighten all set screws on the leg support assembly. Attach the top flanges (H) to all 4 vertical posts and the floor flanges (H) beneath both legs, tighten set screws.

Need Tools:



2. With the help of a second person position the leg support assembly at the desired location, make sure to level and plumb the leg support assembly, mark the location of the holes on the wall support flanges as well as the perimeter of the location where the legs will be secured to the floor, locate the center of the perimeter and drill 5/16" holes on the floor.
3. Assemble floor screws onto floor flanges and fix them to the floor. Reposition the assembled console base, insert the legs into both floor flanges, then secure to the wall with wooden screws. If you are unable to secure to wood bracing as specified, consult your contractor to specify the appropriate anchors needed for your application.
4. If you are using a VSPLBRKT wall bracket, using a level, mark a horizontal line at the height of the top of the frame of the leg support assembly and attach the bracket to the wood bracing at the line previously marked.
5. Stick 4 buffer pads on the tops of the console leg assemble. Apply silicone adhesive to the tops of the buffer pads as well as to the top of the wall bracket. As well as to the back of the console top, place the top (sink) on top on the console leg assembly, wipe off any excess adhesive and let the adhesive cure as per the manufacturer's recommendation.