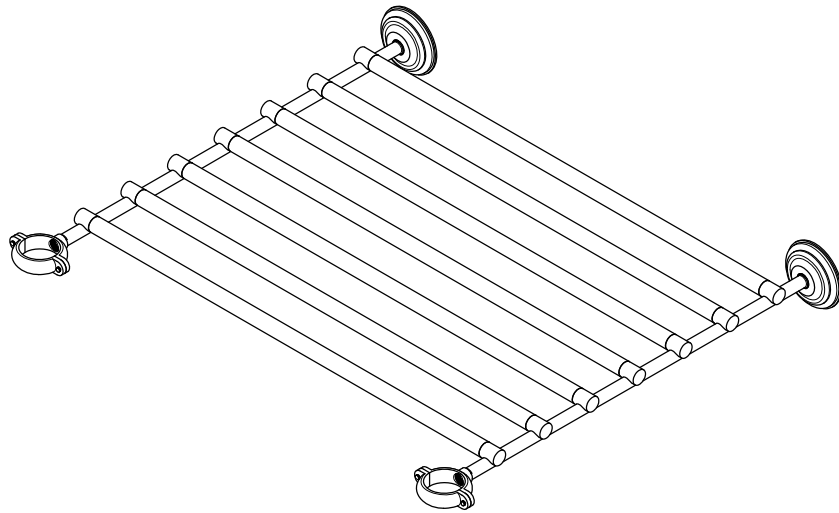



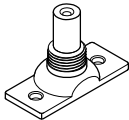
# KINGSTON

KITCHEN & BATH

## Shelf Installation



### Parts:

Mounting Screw	Mounting Bracket
	
4 Pcs	2 Pcs

### Installation Instructions for shelf only:

1. This shelf is designed to be installed on console legs.
2. Wood bracing with 1"~2" thickness behind the wall is needed for securing the mounting brackets.

**CAUTION**

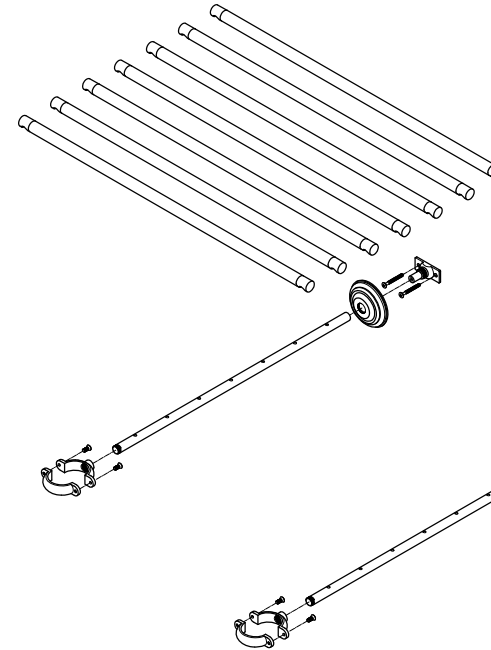
Failure to follow all installation directions may cause product to detach from the wall and cause serious injury

www.kingstonbrass.com  
TOLL-FREE CUSTOMER SERVICE: 1-877-2-KBRASS  
TECHNICAL SUPPORT E-mail: service@kingstonbrass.com  
12775 Reservoir Street, Chino, CA 91710

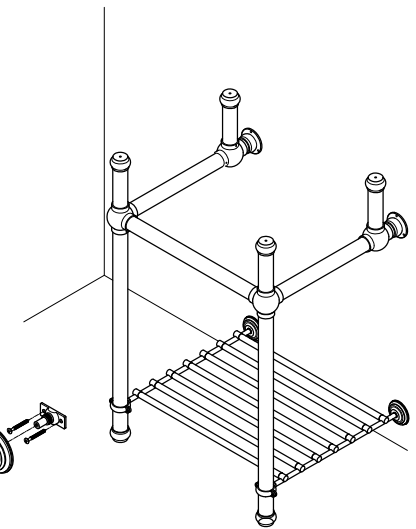
### TOOLS REQUIRED



#### Before Installation



#### After Installation



### Installation Steps:

- Step 1. After the leg assembly has been secured to the wall, install the shelf support assembly by first loosening the screws on the bracket at the end of the support rod, and remove the "C" portion of the bracket.
- Step 2. Insert the flange cover onto the support rod and attach the mounting bracket, make sure that holes on rod are facing up.
- Step 3. Place the rod on the console leg and slide mounting bracket into place at the desired height.
- Step 4. Level rod and secure the rod to the leg by attaching the "C" portion of the bracket, make sure to check that the rod is square to the wall and that both sides are level, attach the wall bracket to the wall using wood screws.
- Step 5. Slide flange cover and thread onto the mounting bracket. Snap the cross bar ends onto the holes of the support rods.

### Cleaning

Clean with a damp cloth only.  
Avoid using metal or abrasive polishes.