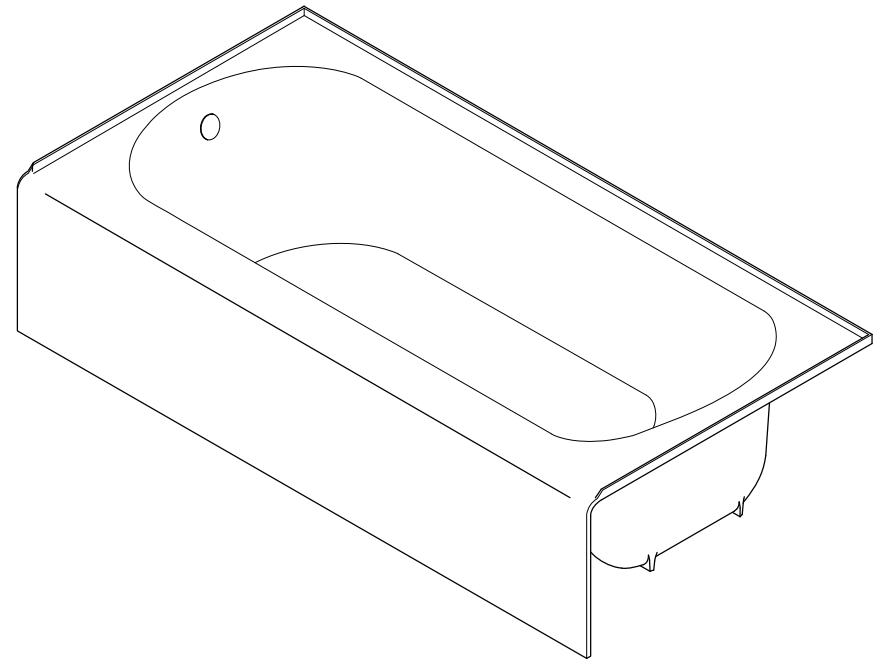


# Aqua Eden

ELEMENTS OF DISTINCTIVE STYLE



www.kingstonbrass.com  
TOLL-FREE CUSTOMER SERVICE: 1-877-2-KBRASS  
TECHNICAL SUPPORT E-mail: [service@kingstonbrass.com](mailto:service@kingstonbrass.com)  
12775 Reservoir Street, Chino, CA 91710

**NOTICE**

Failure to follow all directions may cause leaks  
which may result in water damage



**WARNING**

**Lifting hazard.**

Single person lift could  
cause injury.  
Use assistance when  
moving or lifting.

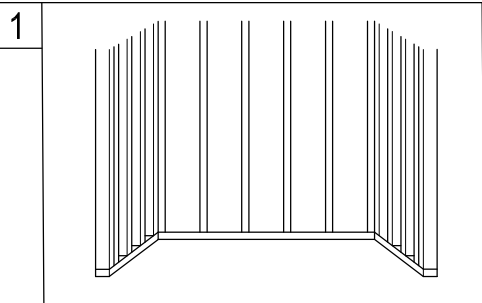
# Aqua Eden

ELEMENTS OF DISTINCTIVE STYLE

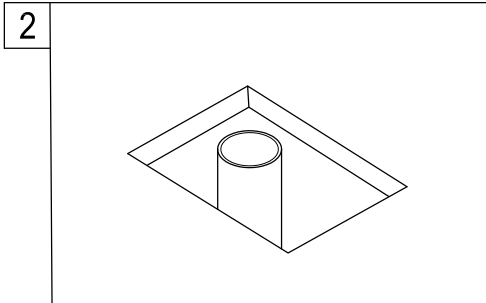
## INSTALLATION INSTRUCTIONS Cast Iron Alcove Tub with or without Drain

### Important points to remember before beginning installation:

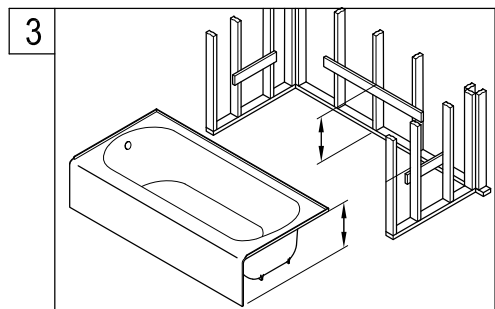
- Verify that floor is structurally sound and level, floor must be able to support the full load of the tub including water to the overflow level.
- Provide access to all plumbing connections.
- Observe all local building and plumbing codes.



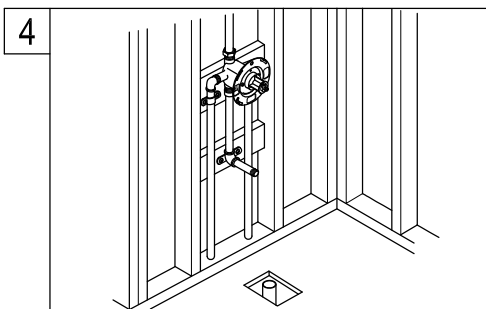
1. Prepare area by framing the area where the tub will be installed, make sure to check that everything is square, plumb and level.



2. Determine the tub drain location, cut an opening; opening should be a minimum of 6" x 15".

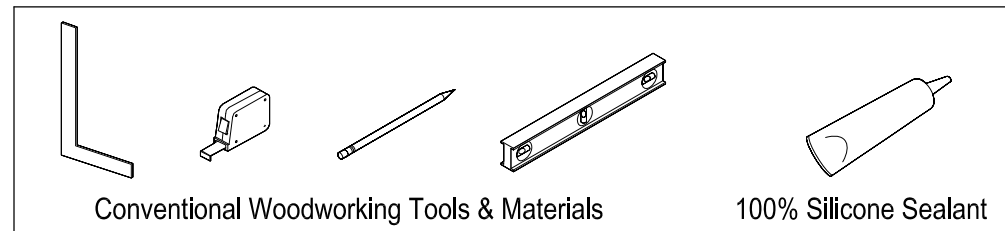


3. Measure the distance from the floor to the underside of the tub deck, using this measurement install 2" x 6" lumber stringers on all 3 sides, top surface of the stringer should be at the height of the underside of the tub deck.



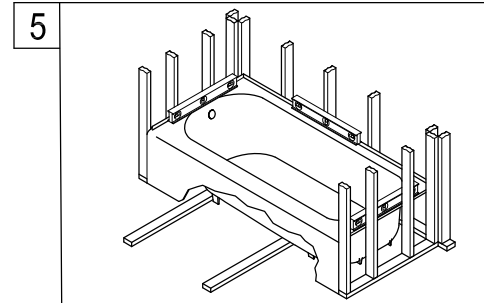
4. Partially preinstall the waste and overflow.

### Need Tools:

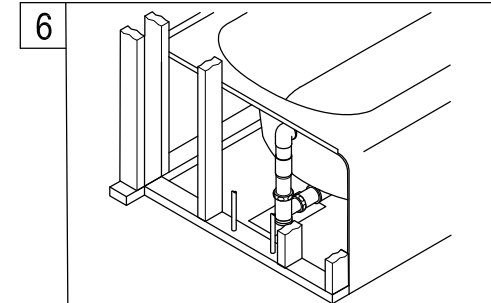


Conventional Woodworking Tools & Materials

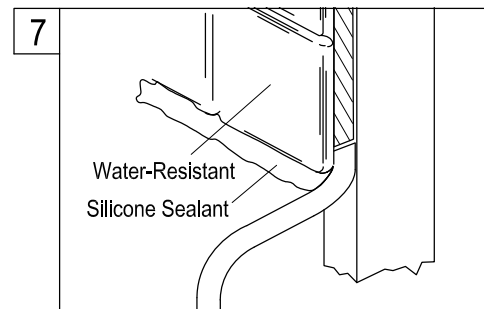
100% Silicone Sealant



5. Using two pieces of lumber placed under the tub to protect the floor, slide tub into place, remove the 2 pieces of wood and lower tub into place, using metal shims level tub. It may be necessary to move tub in and out if no access is available from the back or sides in order to install shims.



6. Connect the tub drain to your drain system.



7. Install water resistant gypsum board and finish surface material (tile, stone) and seal all edges with silicone caulking to prevent water damage.

### Cleaning

Clean with a damp cloth only.  
Avoid using metal or abrasive polishes.