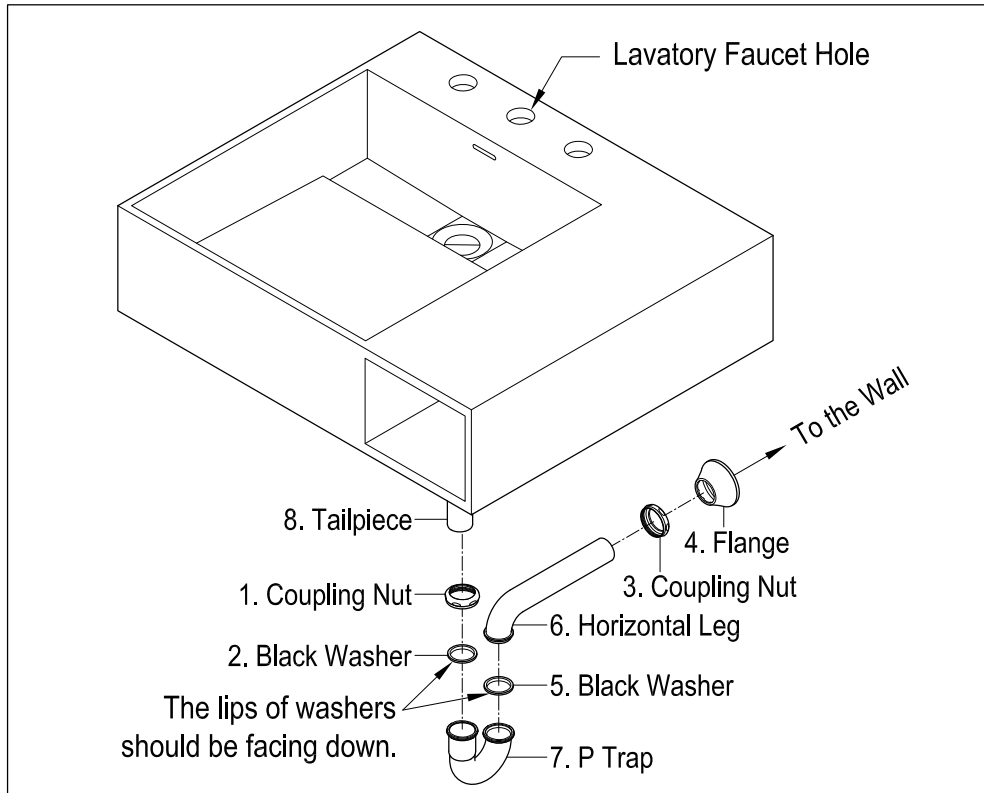
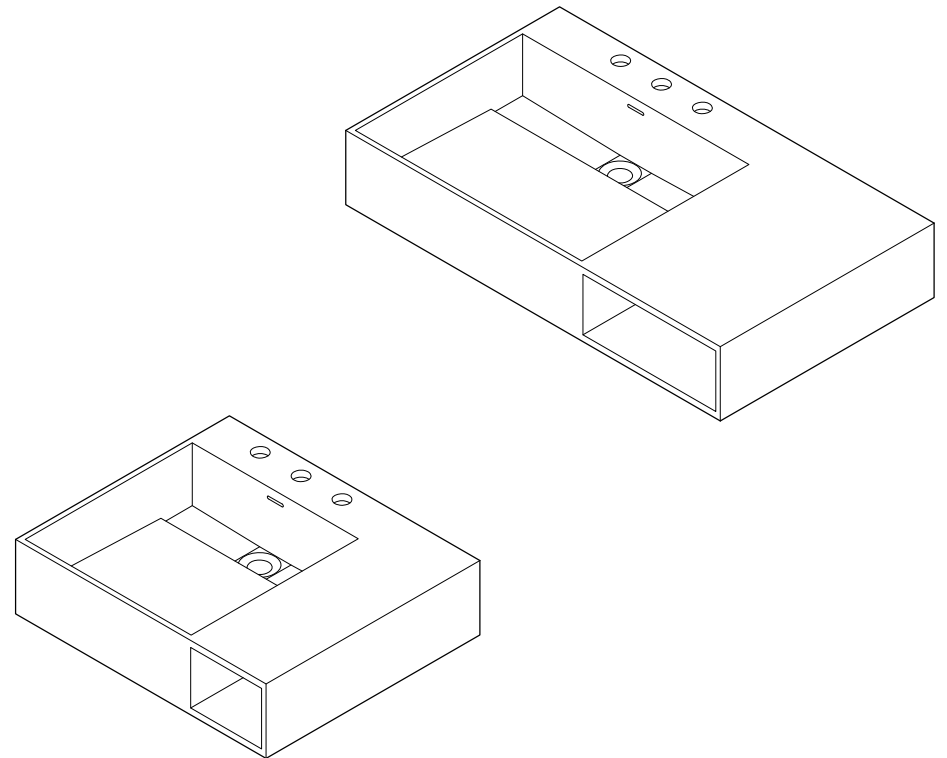


## P-Trap Installation:



1. Insert horizontal leg (6) into wall drain stub-out.
2. Remove coupling nut (1) and black washer (2) from the P-trap (7).
3. Insert coupling nut (1) and black washer (2) onto the tailpiece (8), make sure the lip of washer is facing down.
4. Attach P-trap to the tailpiece (8). Slowly and carefully move the black washer (2) down to touch the inlet of P-trap (7) by hand. Then tighten up the coupling nut (1).
5. Align P-trap (7) with horizontal leg (6) and tailpiece (8), at this point it may be necessary to cut part of tailpiece (8) or part of horizontal leg (6) to obtain proper alignment.
6. Check if all components are properly tightened.
7. Run water. If leaks appears and tightening doesn't correct it, loosen coupling nuts (1) or (3), check black washers (2) and (5) are properly installed. Retighten coupling nuts (1) or (3).

# FAUCETURE



## CAUTION

Failure to follow all installation directions may cause product to detach from the wall and cause serious injury

## NOTICE

Failure to follow all directions may cause leaks which may result in water damage

www.kingstonbrass.com  
TOLL-FREE CUSTOMER SERVICE: 1-877-2-KBRASS  
TECHNICAL SUPPORT E-mail: service@kingstonbrass.com  
12775 Reservoir Street, Chino, CA 91710



## WARNING

### Lifting hazard.

Single person lift could cause injury.  
Use assistance when moving or lifting.

# FAUCETURE

## INSTALLATION INSTRUCTIONS

### WALL MOUNT SINK

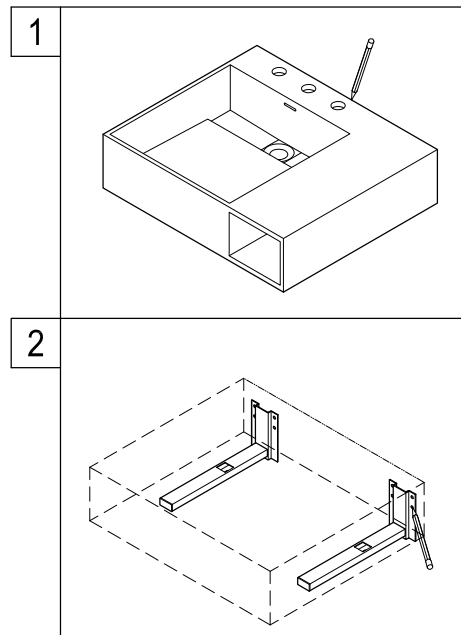
This sink is designed to be wall mounted, please follow the directions accordingly.

### Before Installation

- Follow all local building codes.
- Open box and make sure that all the components are complete.
- Because of the weight of this sink it is recommended that you recruit the assistance of a second person.
- Attach 2" x 6" or larger lumber bracing at the area where the sink will be installed.

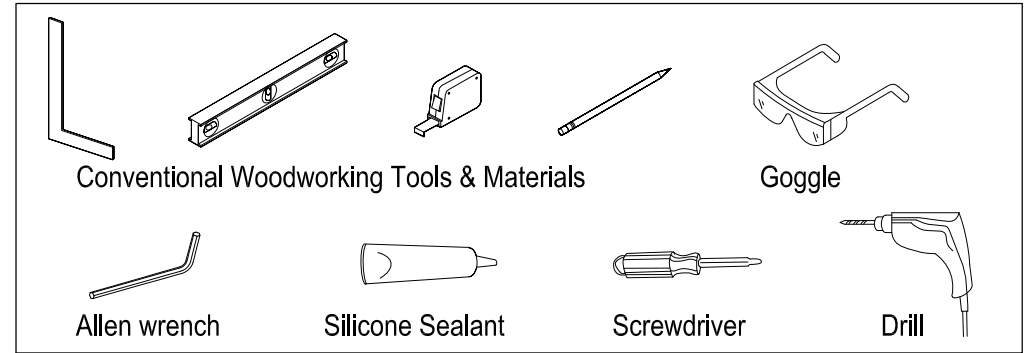
**IMPORTANT** you must consult a qualified professional to determine if anchors are required and recommendation of the appropriate anchors for your specific site conditions, manufacturer shall not be held liable for any damages caused by a faulty installation of this item.

### For wall mount installation



1. It is recommended that this sink be secured to 2" x 6" lumber bracing on the wall where it is to be installed. Measure the desired height of the sink and mark a horizontal leveled line at the height where the top of the sink will be situated.
2. Place enclosed template at the marked line and mark the perimeter and hole location of the vertical L bracket.

### Need Tools:



Conventional Woodworking Tools & Materials

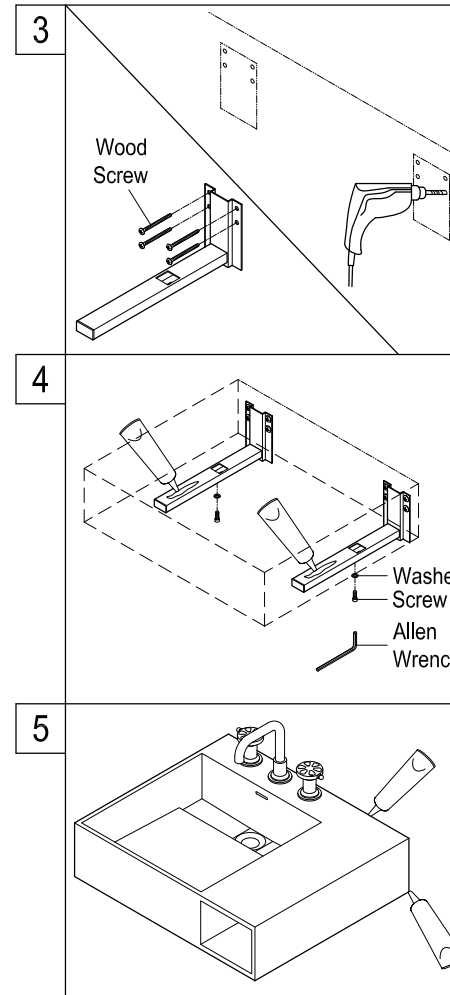
Goggle

Allen wrench

Silicone Sealant

Screwdriver

Drill



3. Remove the wall hanger and drill 1/16" holes at the marked locations. Insert the wood screws and secure L brackets to the wall.
4. Pre-install the faucet, supply lines and drain on the sink, apply a bead of adhesive caulking to the back of the sink and top of the L brackets.
5. Place the sink on the wall at the location where it will be installed and slide down onto the wall brackets. Insert the washer onto the screw and secure the L brackets to the bottom of the sink using an Allen wrench.
6. Check that the sink is level from side to side and front to back, add wood shims if necessary, once sink has been leveled, fill the gaps using silicone caulking.