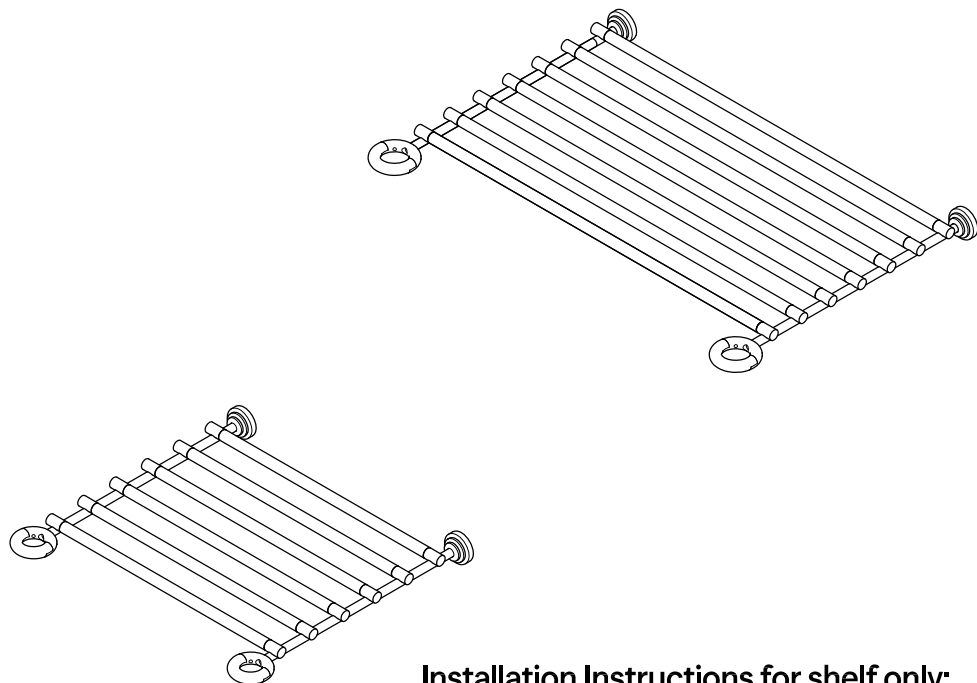


KINGSTON FAUCETURE

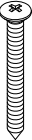
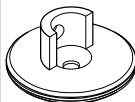

Shelf Installation Instructions



Installation Instructions for shelf only:

1. This shelf is designed to be installed on console legs.
2. Wood bracing with 1"~2" thickness behind the wall is needed for securing the mounting brackets.

Parts:

Mounting Screw	Mounting Bracket	Mounting Set Screw
		
2 Pcs	2 Pcs	2 Pcs

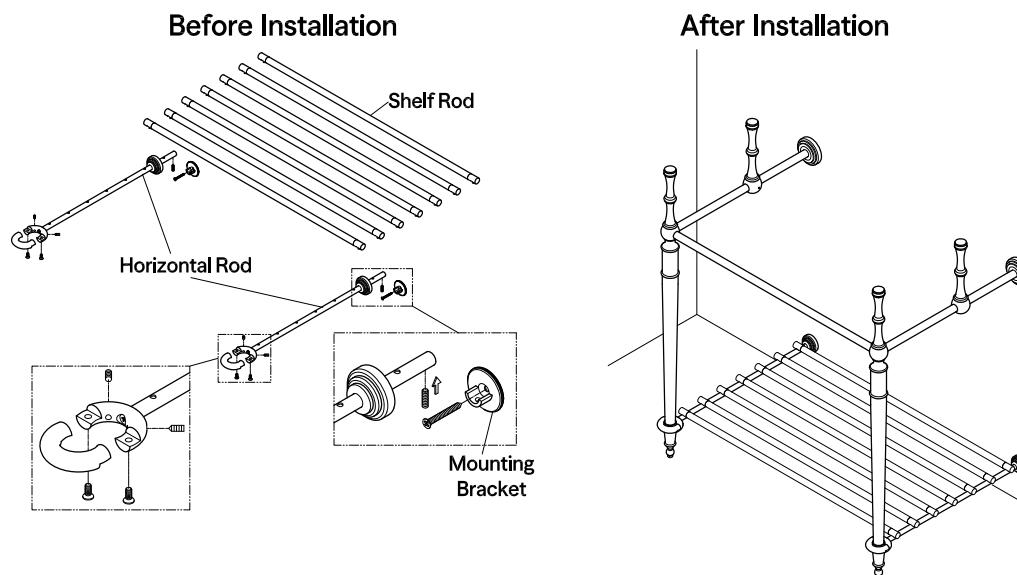
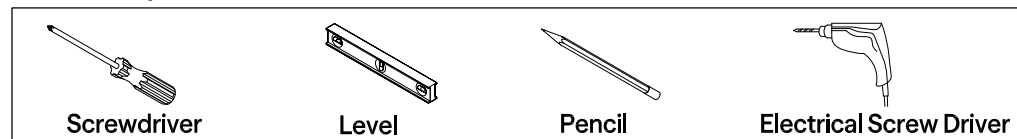
www.kingstonbrass.com

TOLL-FREE CUSTOMER SERVICE: 1-877-2-KBRASS
TECHNICAL SUPPORT E-mail: service@kingstonbrass.com
12775 Reservoir Street, Chino, CA 91710

CAUTION

Failure to follow all installation directions may cause product to detach from the wall and cause serious injury

Tools Required



Installation Steps:

- Step 1. Slide the decorative flange onto the horizontal support rod and thread the Allen head set screw onto the bottom hole of the rod; the screw should protrude from the rod; this will help to secure the rod to the mounting bracket.
- Step 2. Attach the support ring by joining the two half rings and securing them with the screws provided.
- Step 3. Level both horizontal rods and use a pencil to make the locations where the mounting brackets will be secured on the wall.
- Step 4. Remove both horizontal rods. Secure the mounting brackets on the wall with mounting screws. Make sure the open section of the mounting bracket facing up.
- Step 5. Insert both horizontal rods on the console legs and the mounting brackets again, tighten up all screws and make sure the protruded screws of the horizontal rods fitting in the holes on the bottom of mounting brackets.
- Step 6. Slide the decorative flanges and thread-connect with the mounting brackets by turning clockwise.
- Step 7. Insert the shelf rods into the holes of the horizontal rods and snap into place.

Cleaning

Clean with a damp cloth only.
Avoid using metal or abrasive polishes.