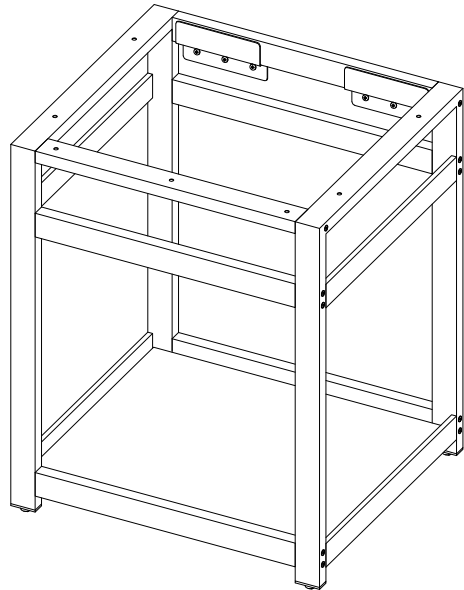


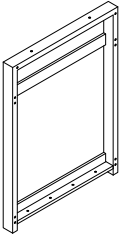
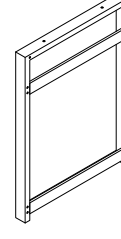
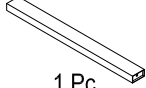
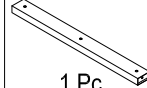

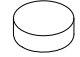
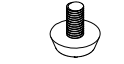



KINGSTON

KITCHEN & BATH

Steel Bathroom Console Sink Base With Glass Shelf Installation

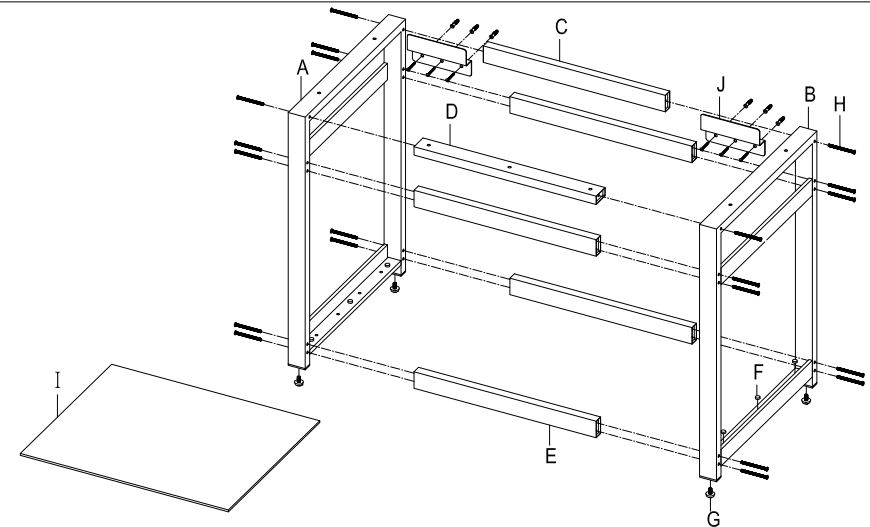
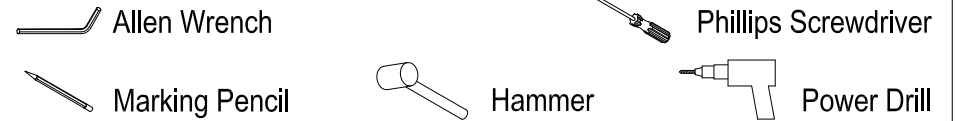


Parts:

| □ Shape | | Straight Tube | | | Gasket |
|---|---|---|---|---|---|
|  |  |  |  |  |  |
| 1 Pc | 1 Pc | 1 Pc Screw | 1 Pc Bolt | 4 Pcs Glass Shelf | 6 Pcs Mounting Bracket |
| | |  |  |  |  |
| | | 4 Pcs Ø23.5mm | 20 Pcs 1/4" x 75mm | 1 Pc | 2 Pcs |

www.kingstonbrass.com
 TOLL-FREE CUSTOMER SERVICE: 1-877-2-KBRASS
 TECHNICAL SUPPORT E-mail: service@kingstonbrass.com
 12775 Reservoir Street, Chino, CA 91710

TOOLS REQUIRED



Installation Steps:

- Step 1. Thread adjustable leg screws (Part G) to the bottom of Parts A & B.
- Step 2. Now place the straight bars (Parts C and E), total 5 Bars in horizontal positions and secure with the Allen Key bolts (Part H) that are included.
- Step 3. Next install the straight bar (Part D) on the top portion of the frame facing towards yourself with the 3-screw holes face upwards.
- Step 4. Next, we will install the glass shelf. First, find the 6 pieces rubber gaskets (Part F) included, then apply 3 of them on each of the bottom insides of Parts A & B. You will then set the glass shelf (Part I) in the bottom of the main frame.
- Step 5. Level entire structure by adjusting leg screws (Part G) as necessary.
- Step 6. Once unit has been assembled place at the desired location and after leveling draw a line across the bottom of the top vertical beam (C).
- Step 7. Remove the Console sink base, find the location of the wood studs and using the marked line as a guide to install support brackets at the location of the studs, make sure at least one of the screws is secured to the wood; you will need an anchor to secure from a secondary point in the bracket.
- Step 8. The depth of wall drill hole for installing anchor should be 40mm (1-5/8") Min.
- Step 9. Slide Console sink base into place and attach top sink.

Cleaning

Clean with a damp cloth only.
 Avoid using metal or abrasive polishes.