

KINGSTON

KITCHEN & BATH

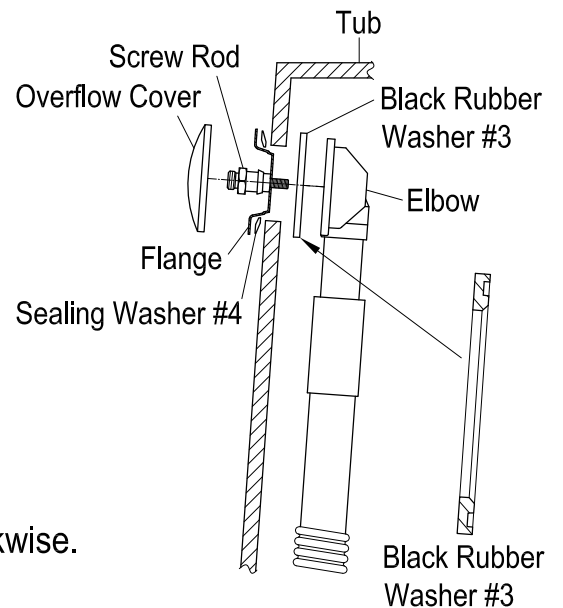
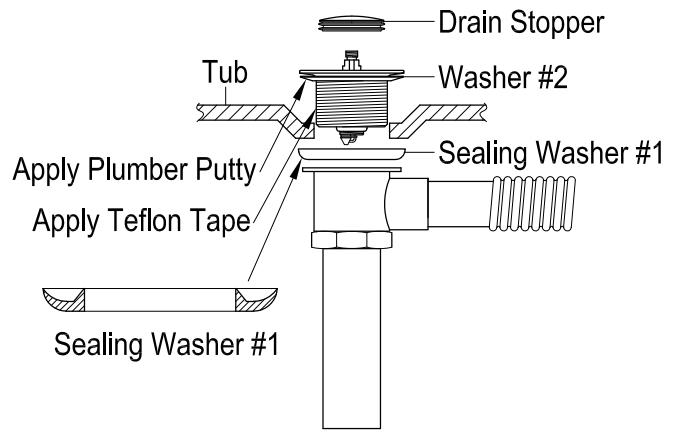
INSTALLATION INSTRUCTIONS Tub Drain & Round Overflow Trim

TOOLS REQUIRED



Instructions:

1. Remove old drain stopper by unthreading counterclockwise
2. Using either a 4 way or a dumbbell wrench remove old drain and also remove the old sealing washer beneath the tub.
3. Clean area around the drain opening and add the new sealing washer (#1) beneath the tub. Make sure the washer (#1) is installed with its lips facing upward.
4. Insert the washer (#2) and apply plumber putty under new drain flange, apply Teflon tape on threads.
5. Carefully thread drain by hand, finish tightening using the 4 way wrench or the dumbbell wrench. Remove the excess putty around the flange.
6. Remove old overflow cover by unthreading counterclockwise.
7. Loosen the screw rod by turning counterclockwise with an adjustable wrench.
8. Remove the screw rod, overflow flange and the sealing rubber washers behind the tub side.
9. Install the new black rubber washer on the overflow drain elbow. Make sure the washer (#3) is fully and evenly contact with the sealing surface of elbow.
10. Insert the flange and silicone washer (#4) on the screw rod. Thread the screw rod onto the elbow and tighten up with an adjustable wrench. Do Not Over-Tighten.
11. Thread the overflow cover onto the screw rod by turning clockwise.



NOTICE

Failure to follow all directions may cause leaks
which may result in water damage

www.kingstonbrass.com

TOLL-FREE CUSTOMER SERVICE: 1-877-2-KBRASS

TECHNICAL SUPPORT E-mail: service@kingstonbrass.com

12775 Reservoir Street, Chino, CA 91710